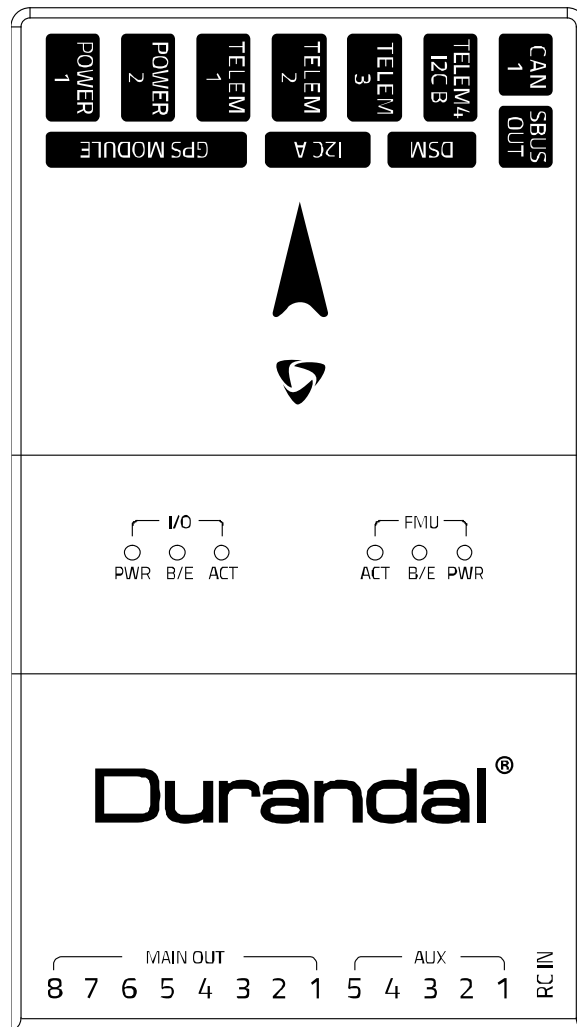
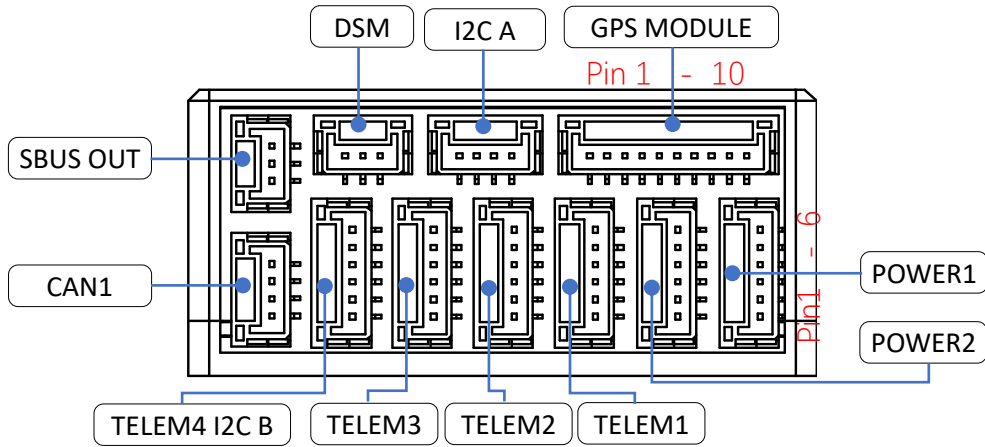


Durandal[®]

Pinouts



Front



SBUS OUT port

Pin	Signal	Volt
1(red)	\	\
2(yellow)	SBUS_OUT /RSSI_IN	+3.3V
3(black)	GND	GND

DSM RC port

Pin	Signal	Volt
1(red)	VDD_3V3	+3.3V
2(yellow)	DSM_IN	+3.3V
3(black)	GND	GND

I2C A port

Pin	Signal	Volt
1(red)	VCC	+5V
2(black)	SCL4	+3.3V
3(black)	SDA4	+3.3V
4(black)	GND	GND

GPS port

Pin	Signal	Volt
1(red)	VCC	+5V
2 black)	TX(out)	+3.3V
3(black)	RX(in)	+3.3V
4(black)	SCL1	+3.3V
5(black)	SDA1	+3.3V
6(black)	SAFETY_SWITCH	+3.3V
7(black)	SAFETY_SWITCH_LED	+3.3V
8(black)	VDD_3V3	+3.3V
9(black)	BUZZER-	0V/5V
10(black)	GND	GND

CAN1 port

Pin	Signal	Volt
1(red)	VCC	+5V
2(black)	CAN H	+3.3V
3(black)	CAN L	+3.3V
4(black)	GND	GND

TELEM4 I2CB

Pin	Signal	Volt
1(red)	VCC	+5V
2(black)	TX (out)	+3.3V
3 (black)	RX (in)	
4 (black)	SCL2	
5 (black)	SDA2	+3.3V
6 (black)	GND	GND

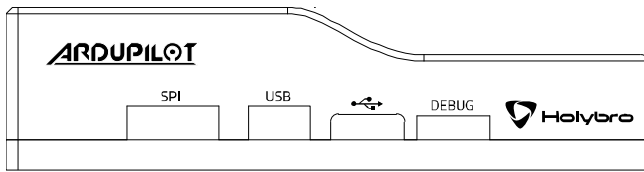
TELEM3, TELEM2, TELEM1 port

Pin	Signal	Volt
1(red)	VCC	+5V
2(black)	TX (out)	+3.3V
3(black)	RX (in)	+3.3V
4(black)	CTS (in)	+3.3V
5(black)	RTS (out)	+3.3V
6(black)	GND	GND

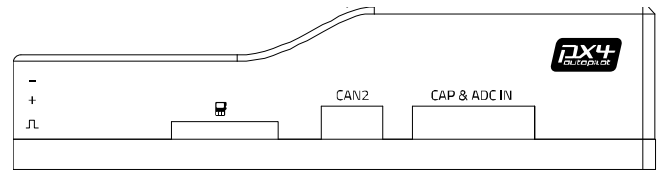
POWER port

Pin	Signal	Volt
1(red)	VCC	+5V
2(black)	VCC	+5V
3(black)	CURRENT	+3.3V
4(black)	VOLTAGE	+3.3V
5(black)	GND	GND
6(black)	GND	GND

Left



Right



FMU DEBUG port

Pin	Signal	Volt
1(red)	VT	+3.3V
2(black)	TX	+3.3V
3(black)	RX	+3.3V
4(black)	SWDIO	+3.3V
5(black)	SWCLK	+3.3V
6(black)	GND	GND

CAN2 Port

Pin	Signal	Volt
1(red)	VCC	+5V
2(black)	CAN H	+3.3V
3(black)	CAN L	+3.3V
4(black)	GND	GND

SPI port

Pin	Signal	Volt
1(red)	VCC	+5V
2 (black)	SCK	+3.3V
3(black)	MISO	+3.3V
4(black)	MOSI	+3.3V
5(black)	CS1	+3.3V
6(black)	CS2	+3.3V
7(black)	GND	GND

CAP & ADC IN port

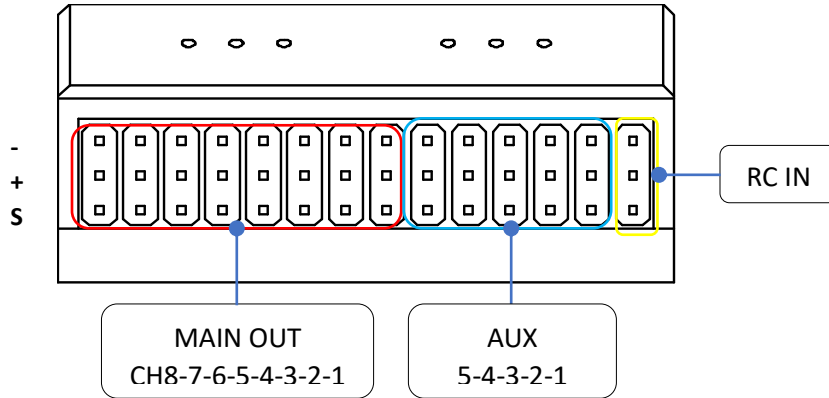
Pin	Signal	Volt
1(red)	VCC	+5V
2 black)	FMU_CAP6	+3.3V
3(black)	FMU_CAP5	+3.3V
4(black)	FMU_CAP4	+3.3V
5(black)	FMU_CAP3	+3.3V
6(black)	FMU_CAP2	+3.3V
7(black)	FMU_CAP1	+3.3V
8(black)	ADC1_SPARE_1	+3.3V*
9(black)	ADC1_SPARE_2	+6.6V*
10(black)	GND	GND

USB port

Pin	Signal	Volt
1(red)	VBUS	+5V
2(black)	DM	+3.3V
3(black)	DP	+3.3V
4(black)	GND	GND

***WARNING: Sensors connected to this pin should not send a signal exceeding this voltage!**

Back



MAIN OUT

Pin	Signal	Volt	+	-
1	IO_CH1	+3.3V	VDD_SERVO	GND
2	IO_CH2	+3.3V	VDD_SERVO	GND
3	IO_CH3	+3.3V	VDD_SERVO	GND
4	IO_CH4	+3.3V	VDD_SERVO	GND
5	IO_CH5	+3.3V	VDD_SERVO	GND
6	IO_CH6	+3.3V	VDD_SERVO	GND
7	IO_CH7	+3.3V	VDD_SERVO	GND
8	IO_CH8	+3.3V	VDD_SERVO	GND

AUX

Pin	Signal	Volt	+	-
1	FMU_CH1	+3.3V	VDD_SERVO	GND
2	FMU_CH2	+3.3V	VDD_SERVO	GND
3	FMU_CH3	+3.3V	VDD_SERVO	GND
4	FMU_CH4	+3.3V	VDD_SERVO	GND
5	FMU_CH5	+3.3V	VDD_SERVO	GND

RC IN

Pin	Signal	Volt
S	SBUS_IN/PPM_IN	+3.3V
+	VCC	+5V
-	GND	GND