

# Abask Dash Camera USER MANUAL



# Contents

English.....	1–9
Deutsch.....	10–20
Français.....	21–31
Español.....	32–42
Italiano.....	43–53

# Preface

Thank you for purchasing our car safety series HD digital onboard rear view driving video recorder. Based on maintaining the original appearance of the original vehicle, this product specializes in researching and developing a delicate, thin, stylish alloy shell, multifunctional vehicle rear mirror recorder, making your life worry-free and colorful.

This user's manual explains the details of how to use and operate the product, and some matters need attention, technical specifications, etc. Please read this manual carefully before using and fully understanding. Please keep this manual properly. We hope this product can meet your requirements and serve you for a long time!

## 4-inch-IPS-screen Driving Video Recorder with Suction Cup

### I . Product Introduction

This product is a high-definition camera with dual cameras, reversing display, one-button recording, network camera, gravity sensor and other functions. Mainly use it in car shooting as well as other outdoor activities.

#### Accessories included:

- 1.A main unit
- 2.A car charger
- 3.A rear camera
- 4.A suction cup
- 5.A user manual

**Remark:** the actual parts are subject to what the actual product has.

### II . Product Characteristics

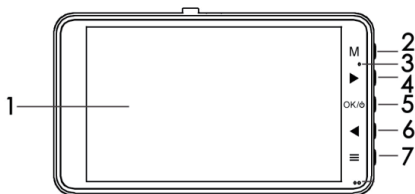
1. In well-designed alloy shell body, it is easy to take videos and pictures.
2. High-sensitivity motion detection function.
3. With 4 inches high-resolution IPS display screen, you can watch the footage immediately in the event of an accident scene to find out the responsibility of the accident and reduce disputes.
4. Recorded footage is compatible with most video players, easy to upload to video websites.
5. With 2 MP Wide-angle HD 6-layer-glass lens, its visual angle can reach 170 degrees, sight range can reach to the both sides of the car's front end, record completely without dead corner.
6. TF card is compatible with Class-10 or higher storage devices, 32 GB maximum support.

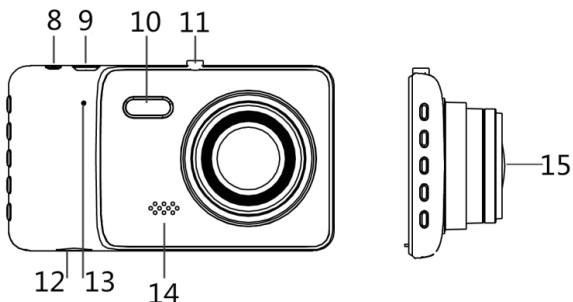
7. It's easy to install and maintain the original appearance of the car.
8. Gravity Sensing: This product has built-in G-sensor. When the vehicle collides, the recorder can automatically save and lock the current recorded important video (the locked video will not be covered by the "loop recording" function).

### III. Specification Parameter

LCD Screen Size	4-inch IPS Full View HD Screen
Camera	2 Megapixels
Video Format	MOV
Video Resolution	1296P 1080FHD 720P
Photo Resolution	VGA 1.3M 2M 3M 5M 8M 10M 12M
Photo Format	JPG
Storage Card	TF Card
Storage Capacity	32GB Maximum Support
Rear Camera	Support
Language	Chinese, English, Deutsch, Français, Español, Italiano
Microphone / Speaker	Support
USB Port	USB2.0 5pin
Power Interface	USB2.0 DC5V 1.5A
Frequency	50HZ/60HZ
Battery	300mAh 3.7V polymer lithium battery
Operating Current	590mA
Storage Temperature	-30°C~70°C
Operating Temperature	0°C~50°C

### IV. Product Structure





- |                                    |                                 |
|------------------------------------|---------------------------------|
| 1) Screen                          | 8) Rear Camera Port             |
| 2) Mode Button[M]                  | 9) Mini USB (Power Supply Port) |
| 3) LED Indicator Light             | 10) Fill Light                  |
| 4) Page Up Button[▶]               | 11) Holder Port                 |
| 5) Confirmation/Power Button[OK/⏻] | 12) TF Card Slot                |
| 6) Page Down Button [◀]            | 13) Reset Hole[RESET]           |
| 7) Menu Button[≡]                  | 14) Speaker                     |
|                                    | 15) Front Camera                |

### Common Buttons Notes:

**Mode Button[M]** 1) Return function: Return to the previous page. 2) Switch function: switch around video-camera-file playback and system menu settings. 3) Lock function: press it in recording mode to lock/unlock the current file.

**Page Up Button [▶]** In menu setting and file selection, press it to select; press it in video standby mode to switch to front/rear camera; in playback mode, switch to the previous file.

**Confirmation Button [OK/⏻]** Press and hold this button to turn on/off the dash cam; Press it the start/stop recording when power on; it is as confirmation function during menu setting; press it to play files in file playback mode; press it to take pictures in camera mode.

**Page Down Button[◀]** During menu setting and files selection, press it to select; in video recording mode, press it can turn on/off audio recording; in file playback mode, press it to switch to the next file.

**Menu Button [≡]** Press it in video standby mode, enter video and system menu settings; press it in camera mode to enter camera menu settings; press it in file playback mode to enter files deleting and the system menu settings.

In recording standby mode, press menu button [≡] to set the following contents:

Resolution	1296P 1080FHD 720P
Dual Camera	Off/On
Loop Recording	Off/ 1 minute/ 3 minutes/ 5 minutes
Interval Record	Off/ 100ms/ 200ms/ 500ms
WDR	Off/On
Exposure	+3 +2 +1 +0 -1 -2 -3
Motion Detection	Off/ On
Recording Audio	Off/ On
Date Stamp	Off/ On
G-sensor	Off/ Low/ Medium/ High
Parking Guard	Off/ On

In recording standby mode/photo/ file playback mode, press menu button [≡] and then press mode button [M] to set the following contents:

Display Protection	Off/ 30 Seconds/ 1Minute/ 2 Minutes
Auto Power Off	Off/ 1 Minute/ 3 Minutes/ 5 Minutes
Frequency	50Hz/ 60Hz
Beep Sound	Off/ On
Language	Chinese, English, Deutsch, Français, Español, Italiano
Date/ Time	YY/ MM/ DD/ HH/ MM/ SS
Fill Light	Off/ On/ Auto
Format	Cancel/ OK
Default Setting	Cancel/ OK
Version	*****

In camera standby mode, press menu button [ ≡ ] to set the following contents:

Capture Mode	Single shot/2s Delay/5s Delay/10s Delay
Resolution	VGA 1.3M 2M 3M 5M 8M 10M 12M
Burst Shooting	Off/ On
Quality	Premium/ Normal/ Standard
Sharpness	Strong/ Normal/ Soft
White Balance	Auto/Daylight/Dark/Tungsten/ Fluorescent
Color	None/ Black and White/ Classic
ISO	Auto/ 100/ 200/ 400
Exposure	+3 +2 +1 +0 -1 -2 -3
Anti-shaking	Off/ On
Date Stamp	Off/ On

In file playback mode, press menu button [ ≡ ] to set the following contents:

Delete	Delete Current File? / Delete all?
Protection	Lock Current File/ Unlock Current File/ Lock all/ Unlock All
PowerPoint	2 seconds/ 5 seconds/ 8 seconds

## V. Product Functions and Operation Instructions

Power on/off	1. Manual: Press and hold [OK/⏻] button for 5 seconds to start/shut down. 2. Automatic: the unit will be automatically on when there is an external power input; it will shut down and automatically save the files after a few seconds if power off.
Video Recording	Insert a memory card and connect the car power cord, it will automatically record after power on, and the video indicator (red dot on the screen) will flash. Press [OK/⏻] button to stop recording.

Picture Taking	In the video standby mode, press mode button [M] to enter photo mode, press [OK/⏻] button to take pictures and save.
File Playback	Press mode button [M] twice in video standby mode to play back files. Press page up and down buttons to select the files, press [OK/⏻] button to play the file, press page up and down buttons to fast forward/backward.
USB Connection	There are three options when USB data cable plugs in the computer: 1.Storage: Press [OK/⏻] button to enter the USB disk reading, you can play, copy, and delete the files or do other operations on the computer. 2.PC Camera: It can be an Internet camera. Recording mode: Supply power to the dash camera and make it record normally.
Loop Recording	This product can do loop recording. Looping mode can be set in the video menu. For example, if looping time is set for 3 minutes, the recorder will automatically save a section of videos every 3 minutes. When the memory card gets full, the newly recorded files will overwrite the old files that are not locked.
G-sensor	When the vehicle is impacted by the external forces, G-sensor will work. The dash cam will automatically lock and save the current shooting video file and protect it from being covered by the loop recording. The top left corner of the screen will display an icon of a lock. The level of its sensitivity can be chosen on the menu setting.
Lock Function	In the normal status of the recording, press mode button [M] to lock and save the current file without having it covered, an icon of a lock will display on the top left corner of the screen.
Parking Guard	In the status of the parking monitor, if the dash cam detects impact forces, it will automatically start recording and lock the file in case of being covered.



Motion Detection	In the standby mode, if the 'motion detection' function is on, the camera will automatically capture the moving objects and start recording. It will automatically stop recording while no object is moving. This function is closed by the system default.
Audio Recording	You can set it on whether you need to record sound in the process of recording. Default is opening.
Reversing View	Having the rear camera installed and cabled, the car will automatically switch to reversing view when you reverse your car; full screen displays the rear view.
Battery Charging	The battery charges automatically when the external power supplies.
Display Protection	It can automatically turn off the screen display by timing so as to have the product worked in very low power consumption; four options for 'Display Protection' : 'off/30 seconds/1 minute/2 minutes'. '1 minute' means the screen light will be off and enter power saving mode after 1 minute.
Menu Setting	In standby mode, the video resolution, loop recording, exposure, motion detection and recording etc. can be set by pressing the menu button. Pressing the menu button again can edit the system of date time, auto power off, beep sound, language, frequency, etc.Note: If the machine crashes because of improper operation, please use a tiny hard object to press the reset hole, and then restart the dash camera, it will return normal.

## VI. Installation Guide

- 1.Shut off the car engine, and turn off the recorder.
  - 2.Insert a high speed TF Card (above Class 10) into the card slot of the dash camera.
- Note:**Please format the TF card in the dash cam when use it first time.
- 3.Please fix the dash camera on the proper position of the car's rear view mirror.

4.Plug the car charger into the car cigarette lighter, the other end plugs in the USB port of the dash camera.

**Note:**You can lay the extended charging cable along the edge of the car windshield.

5.While installing the rear camera, please plug the rear camera in the dash cam interface first, and then lay the cable on the ceiling of the car from front to back. Install the rear camera on the back of the car. The red cable connects to positive electrode of reverse lamp while the black cable does not connect or it connects to the grounding wire. Pay attention to the direction during installation.

6.Adjust the lens position to keep the lens and the ground flat.

7.Start the car engine; check whether the machine is installed correctly or not.

## VII. FAQ

1. Why can't it be turned on?

A: Please confirm whether the dash camera is charging or has been connected to the car charger or not; When you start your car engine, the dash camera will be turned on and record automatically.

2. Why does the inserted new memory card warn error?

A: If the recorder checked there is no system file in the new card, it will warn an error, please format the memory card by this machine and then it will work.

3. Why does the new-bought memory card have these problems: cannot record, reacts slowly, no video file found and cannot play?

A: If the memory card has not been formatted in this machine, or it is a low-speed or fake memory card, it may have those problems mentioned above. So please use an original high-speed memory card over Class 10.

4. Why loop recording does not work?

A:1) It's because you set the "G-sensor" and "Parking Guard" on. These two functions will have the files locked, if there are too many locked files, it will stop loop recording and warn that the memory card gets full. You can choose to turn off these two functions or adjust the sensitivity of the G-sensor to low. If you want to delete those unimportant locked files, please unlock them first and delete them on the dash camera directly, or connect the dash camera or memory card to your computer, delete them on your computer.

2) There are many low-speed memory cards and inferior memory cards sold on the market, if you use those cards above, it will also result in full card. Given that the dash cam is writing the memory card constantly during recording, if the card has such a problem, it will also cause the error.

5. How to make the dash camera back to normal work if it crashes?

A: If it crashes during working due to some reasons, use a tiny hard object such as needle to press the reset hole lightly.

6. How do I get the rear camera to work?

A: 1) You should plug it into the main camera, the rear view will automatically show on the screen. Pressing button [▶] can switch the front and back views. 2) If you need the reversing view, please plug it into the main camera and hard wire the red line to the positive electrode of reversing light to use as a reversing camera.

## VIII. Notes

1. Please use our original adapter that we have equipped. Use the unqualified adapter will cause harm to the product even burn product.
2. Please do not place product in a wet or high temperature environment.
3. Please keep the lens clean to maintain the recording effect.
4. In order to protect your legitimate rights and interests, please do not disassemble this product.
5. Please strictly abide by the relevant laws of the state, do not use the product for illegal purposes.

# Vorwor

Danke Ihnen für Ihren Kauf dieses HD-Auto-DVRs in Serien für Autosicherheiten. Dieses Produkt ist ein feiner und superdünnere Auto-DVR mit Multifunktionen und einem modernen Legierungsgehäuse, der auf der Basis vom Bleiben originaler Autos und originales Autoaussehens speziell entwickelt ist. Der bringt Ihr Leben sorglos und bunt.

In dieser Anleitung werden Bedienungsweisen, Tipps und Technikspezifikationen usw ausführlich berieben. Vor der Verwendung lesen Sie bitte ausführlich diese Anleitung und bewahren sie gut auf. Wir wünschen, dass dieses Produkt Ihre Bedarf erfüllen kann und Ihnen langfristig dienen.

## Saugnapf-Auto-DVR mit dem IPS-Birdschirm 4#(4inch)

### I.Übersicht über das Produkt

Das ist ein Produkt mit integrierten Multifunktionen, wie HD-Bildern, Doppelkameras, Rückfahrabbildung, Eine-Taste-Tonaufnahme, Netzkamera und Gravitationsinduktion usw. Es wird vor allem im Auto zur Aufnahme eingesetzt, und auch in anderen Aktivitäten im Freien.

#### Zubehörliste:

- 1.Master
- 2.Ladegerät
- 3.Rückkamera
- 4.Saugnapfhalter
- 5.Gebrauchsanleitung

Bem. Die wirklichen Zubehöre können das Objekt referenzieren.

### II.Eigenschaften

- 1.Legierungsgehäuse mit schönem Design, einfach aufnehmen und fotografieren.
- 2.Bewegungserfassung mit einer hohen Empfindlichkeit
- 3.IPS-Display mit hoher Auflösung 4.0#. Das vor Ort fotografierte Bild kann sofort klar gesehen werden. Am Vorort, wo ein Unfall passiert ist, kann das Bild sofort übertragen werden.Damit werden die Verantwortlichkeiten verdeutlicht und der Streit reduziert.
- 4.Direkte Übertragung in viele Sendegeräte. Leicht Heraufladen auf Video-Netzwebseite.
- 5.Objektiv mit weitgehenden 6schichtigen HD-Glas und 2 Mio.

Pixel. Der sichtbare Winkel kann 170°C erreichen. Der Sichtbereich reicht auf die beiden Seiten vor Autos. Es kann vollständig aufnehmen und hat keinen toten Winkel.

6.Die TF-Karte verwendet Speichergerät mit CLASS 10 oder über CLASS 10, unterstützt max. 32GB.

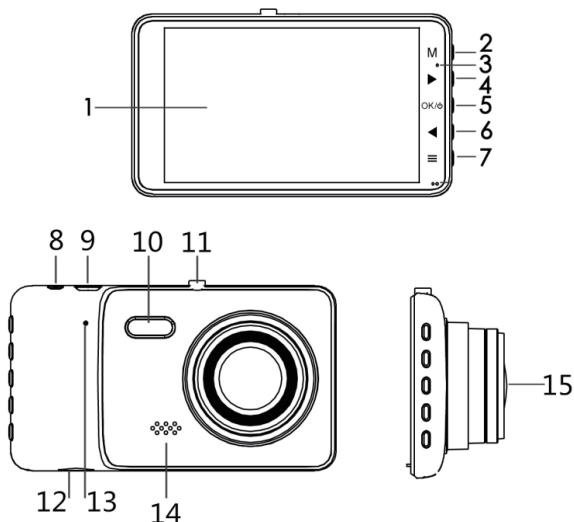
7.Einfache Montage.Originales Auto und Aussehen bleiben.

8.Gravitationsinduktion: In diesem Produkt wird ein G-Sensor integriert. Beim Zusammenstoss von Wagen wird der Auto-DVR automatisch die momentanen aufgenommenen, wichtigen Videos gesperrt und gespeichert. (Die gesperrten und gespeicherten Videos werden nicht durch "Kreislaufaufnahme" gedeckt.

### III. Spezifikation

Grösse LCD	4" IPS 360°C HD-Bildschirm
Kamera	2Mio.Pixel
Videoformat	MOV
Videoauflösung	1296P 1080FHD 720P
Bildauflösung	VGA 1.3M 2M 3M 5M 8M 10M 12M
Bildformat	JPG
Typ der Speicherkarte	TF-Karte
Kapazität der Speicherkarte	≤32G
Rückkamera	Unterstützung
Spracheneinstellung	Chinesisch, Englisch, Deutsch, Franzoesisch, Spanisch, Italienisch
Mikrofon/Hupe	Unterstützung
USB-Anschluss	USB2.0 5pin
Netzanschluss	USB2.0 DC5V 1.5A
Frequenz	50HZ/60HZ
Batterie	300mAh 3.7V Polymer-Lithiumbatterie
Betriebsstrom	590mA
Mikrofon/Hupe	Unterstützung
Storage Temperature	-30°C~70°C
Operating Temperature	0°C~50°C

## IV. Struktur



- |                                     |                             |
|-------------------------------------|-----------------------------|
| 1) Bildschirm                       | 8) Anschluss der Rückkamera |
| 2) Modetaste[M]                     | 9) MINI USB(Netzanschluss)  |
| 3) Netzanzeiger                     | 10) Lichtabgleichleuchte    |
| 4) Auf-Taste[▶]                     | 11) Trägeranschluss         |
| 5) Bestätigungs/Netztaste<br>[OK/⏏] | 12) TF-Kartenschacht        |
| 6) Ab-Taste [◀]                     | 13) Loch der Resetaste      |
| 7) Menütaste[≡]                     | 14) Hupe                    |
|                                     | 15) Vorkamera               |

### Angabe der allgemein verwendeten Tasten:

**Modustaste [M]** 1) Rückfunktion: zurück zur letzten Seite.

2) Wechselfunktion: Wechseln zwischen Video, Kamera und Dateiwiedergabe & Wechsel der Einstellungen vom Systemenü.

3) Schlossfunktion: unter dem Videomodus kann die aktuelle Datei zum Sperren/zur Freigabe kurz gedrückt.

**Auf-Taste [▶]** Bei der Menüeinstellung und Dateiauswahl kurz drücken, nach oben zu wählen; Beim Video-Standby-Modus kurz drücken, auf die Vor-/Rückkamera zu wechseln; Beim Wiedergabemodus wird auf die letzte Datei gewechselt.

**Bestätigungstaste[OK/⏻]** Ein/Aus durch langes Drücken der Taste OK. Beim Videozustand kurz drücken, mit dem video anzufangen/aufzuhören.

**Ab-Taste[◀]** Bei der Menüeinstellung und Dateiauswahl kurz drücken, nach unten zu wählen. Bei der Videoaufnahme kurz drücken, die Tonaufzeichnung ein-/auszuschalten. Beim Video oder Standby lange drücken, Haltkontrolle ein-/auszuschalten. Beim Wiedergabemodus auf die nächste Datei wechseln.

**Menütaste[≡]** Beim Videostandby-Modus kurz drücken, in die Einstellung vom Video- und Systemmenü einzutreten. Beim Fotografiermodus kurz drücken, in die Einstellung vom Fotografier- und Systemmenü einzutreten. Beim Dateiwiedergabemodus kurz drücken, in die Einstellung vom Dateilösch und Systemmenü einzutreten.

Beim Videostandby-Modus können folgende Inhalte nach dem Drücken der Menütaste[≡]eingestellt werden:

Auflösung	1296P 1080FHD 720P
Doppel-Aufnahme	Aus/Ein
Loop-Aufnahme	Aus/ 1 Min./3 Min/ 5 Min
Intervalvideo	Aus/100ms/200ms/500ms
Hoher dynamischer Bereich	Aus/Ein
Belichtung	+3 +2 +1 +0 -1 -2 -3
Bewegung Detect	Aus/Ein
Aufzeichnung	Aus/Ein
Datumsanzeige	Aus/Ein
G-sensor	Aus/Gering/Mittel/Hoch
Parkplatz-Monitor	Aus/Ein

Beim Videostandby- /Fotografiermodus / Dateiwiedergabemodus können folgende Inhalte nach dem kurzen Drücken der Menütaste [≡] & danach der Modustaste eingestell werden.

Bildschirmschoner	Aus/30S./1 Min/2 Min
Auto. Aus	Aus/1min/3min./5min.
Frequenz	50Hz/ 60Hz
Akustisches Signal	Aus/Ein

Sprache	Chinesisch, Englisch, Französisch, Deutsch, Italienisch, Spanisch
Datum/Uhrzeit	YY/MM/DD/HH/MM/SS
Dimmbares Licht	Aus/Ein/Auto
Formatieren	Abbrechen/ Bestätigen
Standard Einstell	Abbrechen/ Bestätigen
Freisetzung	*****

Beim Fotografiermodus werden folgende Inhalte nach dem Drücken der Menütaste[ ≡ ] eingestellt werden

Aufnahme-modus	Einzelsschuss/ Timing 2 Sek / Timing 5 Sek / Timing 10 Sek
Auflösung	VGA 1.3M 2M 3M 5M 8M 10M 12M
Kontinuierliche Aufnahme	Aus/Ein
Qualität	Fein/ Normal/ Sparsam
Schärfe	Stark/Normal/Weich
Weissbalance	Auto/ Sonnig/ Wolkig/ Wolframlampe/ Leuchtstofflampen
Farbe	keine Effekte/ Schwarz und Weiß/ Reminiszenz
ISO	Automatisch/Schwarzweiss/Nostalgie
Belichtung	+3 +2 +1 +0 -1 -2 -3
Stabilisierung	Aus/Ein
Datumsanzeige	Aus/Ein

Beim Dateiwiedergabemodus können folgende Inhalte nach dem Drücken der Menütaste[ ≡ ]eingestellt werden:

Löschen	Aktuelle Datei löschen / Alle löschen
Schutz	Aktuelle Datei sperren / Aktuelle Datei entsperren/ Sperrn Sie alle Dateien/Schalte alle Dateien frei
Diashow	2 seconds/ 5 seconds/ 8 seconds



## V. Funktion und Bedienung

Ein/Aus	1.Manuell: die OK-Taste [OK/⏻]5 Sek. lange zur Ein/Aus drücken 2.Automatisch: Beim Eingang vom externen Netz automatisch einschalten. Wenn der externe Netz einige Zeit unterbrochen wird, wird es ausgeschaltet und die Aufnahme automatisch gespeichert.
Videoaufnahme	Die Speicherkarte stecken, die im Auto integrierte Netzleitung anschliessen, Unter Spannung automatisch Video aufnehmen. Der Aufnahmeanzeiger mit dem roten Punkt blinkt. Kurz die Ok-Taste [OK/⏻]drücken, mit der Aufnahme aufzuhören.
Fotografieren	Beim Aufnahme-Standby-Modus [M]wird die Modustaste kurz gedrückt, ins Fotografiermodus einzutreten.Die Bestätigungstaste wird kurz gedrückt zu fotografieren und Fotos zu speichern.
Dateiwiedergabe	Beim Standby-Modus wird die Modustaste[M] zweimal kurz gedrückt, ins Dateimodus einzutreten. Die Auf-/Ab-Tastenwerden gedrückt, Dateien auszuwählen. Die Bestätigungstaste [OK/⏻]wird kurz gedrückt, Dateien zu übertragen. Die Auf-/Ab-Tasten werden kurz gedrückt, schnell vorwärt-/rückübertragen.
USB-Anschluss	Wenn die USB-Datenleitung in den Computer gesteckt wird, kommen drei Variationen vor:1.Speicher: die Bestätigungstaste kurz drücken, in die USB zum Lesen einzutreten. Es kann die Datei im Computer wieder gesehen, kopiert oder gelöscht usw werden. 2.PC-Videoaufnahme: kann als Netzkamera benutzt werden. 3.Aufnahmemodus: stellt den Rekorder zur Verfügung zur Stromversorgung. Der Rekorder kann im normalen Arbeitszustand es aufnehmen.

<p>Kreislaufaufnahme</p>	<p>Dieses Produkt kann zyklisch die Videos decken. Man kann bei der Kreislaufaufnahme vom Videomenü die Kreislaufweise einstellen. Wenn 3 Minuten eingestellt werden, speichert der Rekorder alle drei Minuten eine Videodatei. Wenn die Speicherkarte voll ist, kann der Rekorder nach dem Prinzip mit „FIFO“ die ungesperrte Datei der neu aufgenommenen Dateien decken und speichern.</p>
<p>Gravitationsinduktion</p>	<p>Wenn das Auto von der externen Kraft geschlagen wird, arbeitet der im Rekorder integrierte G-Sensor dann. Der Rekorder kann automatisch die aktuelle aufgenommenen Dateien sperren und speichern. Oben links vom Bildschirm kommt ein Schlosszeichen vor. Die gespeicherte Schlossdatei kann nicht von der Kreislauf-Funktion gedeckt. Die Empfindlichkeit vom G-Sensor kann im Menü reguliert werden.</p>
<p>Schlossfunktion</p>	<p>Im Zustand der normalen Videoaufnahme wird die Modustaste kurz gedrückt. Das kann die aktuelle Datei sperren und speichern und diese Datei wird nicht gedeckt. Da kommt ein Schlosszeichen oben links vom Bildschirm des DVRs.</p>
<p>Haltkontrolle</p>	<p>Im Einschaltzustand der Haltkontrolle kann die Videoaufnahme automatisch eingeschaltet, wenn die Maschine eine Reaktion auf den Schlag hat. Die aktuelle Datei wird vor dem Decken geschützt.</p>
<p>Bewegungserfassung</p>	<p>Im Standby-Modus wird die Kamera automatisch die beweglichen Objekte fangen und Video aufnehmen, wenn die Einstellung vom Menüpunkt „Bewegungserfassung“. Wenn keine Gegenstände sich bewegen, kann die Aufnahme automatisch stoppen. Diese Funktion ist im System standardmässig Aus.</p>

Tonaufnahme	Man kann während der Videoaufnahme auswählen, ob der Ton aufgenommen wird und standardmässig geöffnet wird.
Rückfahrabbildung	Nach dem Anschluss der Rückkamera kann bei der Autorückfahrt auf die Rückfahrabbildung automatisch gewechselt werden. Auf dem ganzen Bildschirm wird die Abbildung der Rückkamera angezeigt.
Batterieladung	Beim Stecken in den externen Netzteil kann die Batterie automatisch geladet werden.
Automatisches Bildschirmschoner	Timing kann das Bildschirm automatisch ausgeschaltet werden, so dass dieses Produkt beim geringen Leistungsverlust arbeitet. Im „Bildschirmschoner“ vom Systemmenü sind vier Modelle „Aus/30Sek./1Min./2Min.“ auswahlbar. „1min“ heisst, dass es in einer Minute ins Stromsparmodes eintritt und das Bildschirm ausgeschaltet wird.
MenüEinstellung	Im Standby-Zustand kann man die Menütaste drücken, um die Aufnahmeauflösung, die Kreislaufaufnahme, Belichtungsabgleich, Bewegungserfassung, Tonaufnahme und andere Menüs einzustellen. Nochmal kann man die Menütaste drücken, Systemdatum und -zeit, Automatikausschalt, Tastetone, Spracheneinstellung und Lichtquellefrequenz usw einzustellen.

**Bem.** Wenn die unsachgemässe Bedienung zur Betriebsunterbrechung führt, kann man mit einem kleinen, schmalen und harten Gegenstand das Loch der Resettaste zum Einschalten leicht drücken. Dann kann diese Maschine wieder in Ordnung arbeiten.

## VI. Installation Guide

1. Beim Ausschalten vom Automotor wird der Rekorder ausgeschaltet.
2. Die TF-Karte mit über Class 10 für Autobahn wird in den Kartenschacht vom Rekorder gesteckt.  
Achtung: Bei der ersten Verwendung muss die TF-Karte im Rekorder formatiert werden.
3. Der Rekorder wird in der Position befestigt, wo der Rückspiegel vom Auto steht.
4. Das im Auto integrierte Ladegerät wird in den Zigarettenanzünder gesteckt. Die andere Ende wird in den USB-Anschluss vom Rekorder gesteckt.  
Achtung: Bei der Leitungsbelegung kann die Leitungverlängerung zur Ladung den Rand der Autofrontscheibe entlang belegt werden.
5. Bei der Montage der Rückkamera wird der Stecker zuerst in den Rekorderanschluss angeschlossen. Dann wird die Leitung von vorne nach hinten die Autodecke entlang belegt. Die Rückkamera wird im Autorücken eingebaut. Die rote Leitung wird mit der Anode der Rückfahrleuchte angeschlossen. Die schwarze Leitung wird nicht angeschlossen oder mit der Erdleitung angeschlossen. Bei der Montage achtet man auf die Richtung.
6. Man regelt die Objektivstelle und stellt sicher, dass das Objektiv mit dem Boden horizontal bleibt.
7. Man startet den Motor und prüft nach, ob die Maschine richtig montiert ist.

## VII. Fragen und Antworten

### 1. Warum wird es nicht gestartet?

Antwort: Bitte überprüfen Sie, ob der Akku geladen wird oder an das Autoladegerät angeschlossen ist oder nicht. Wenn Sie Ihren Automotor starten, wird die Kamera eingeschaltet und nimmt automatisch auf.

2. Warum wird nach dem Stecken der neuen Karte hingewiesen, dass die Speicherkarte falsch ist?

Antwort: Diese Maschine erkennt, dass die neue Karte keine Systemunterlagen hat. Deshalb wird hingewiesen, dass die Karte falsch ist. Formatieren Sie mit diesem Produkt die Speicherkarte.

**3. Warum kann die gekaufte Speicherkarte nicht Videos aufnehmen, Unterbrechungen bringen sowie keine Videodateien haben und nicht übertragen?**

Antwort: Die Speicherkarte wird nicht in diesem Produkt formatiert oder die Karte ist falsch oder die Karte mit Niedriggeschwindigkeit. Ersetzen Sie bitte mit der Speicherkarte mit originaler Version mit über Class10.

**4. Warum funktioniert die Kreislaufaufnahme nicht?**

Antwort: 1) Der Kunde hat die Funktionen über Gravitationsinduktion und Haltkontrolle gestartet. Diese beiden Funktionen können Schlossdateien erzeugen. Wenn die Schlossdateien zu viel sind, kann die Videoaufnahme stoppen und hingewiesen, dass die Karte voll ist. Sie können diese beiden Funktionen deaktivieren oder die Empfindlichkeit des G-Sensors auf niedrig einstellen. Wenn Sie diese unwichtigen gesperrten Dateien löschen möchten, entsperren Sie sie zuerst und löschen Sie sie direkt auf der Dash-Kamera oder schließen Sie die Dash-Kamera oder die Speicherkarte an Ihren Computer an, und löschen Sie sie auf Ihrem Computer.

2) Auf dem Markt werden viele Karten mit Niedriggeschwindigkeit oder Schwarzkarte für Karten mit Hochgeschwindigkeiten ausgegeben. Wenn diese Karte benutzt wird, kann es zur Hinweise führen, dass die Speicherkarte voll ist. Weil der Rekorder bei der normalen Aufnahme jederzeit die Karte schreibt, wenn die Karte Probleme hat, kann es dazu führen, dass die Maschine eine falsche Beurteilung hat.

**5. Wie kann der Rekorder nach der Betriebsunterbrechung in Ordnung arbeiten? Ordnung arbeiten?**

Antwort: bei der Verwendung führt irgendwelche Ursache zur Unterbrechung. Mit einem kleinen, schmalen und harten Gegenstand kann man das Loch der Resetkarte leicht drücken. Dadurch kann die Maschine starten

## 6. Wie bringe ich die Rückfahrkamera zum Laufen?

A: 1) Sie sollten es an die Hauptkamera anschließen, die Rückansicht wird automatisch auf dem Bildschirm angezeigt. Durch Drücken der Taste [ ◀ ] können Sie die Vorder- und Rückansicht wechseln.

2) Wenn Sie die Funktion zum Umkehren der Richtungslinie zu verwenden (Sie können die Richtungslinie auf dem Bildschirm sehen, wenn Sie das Fahrzeug umkehren), schließen Sie sie bitte an die Hauptkamera an und verdrahten Sie die rote Linie mit der positiven Elektrode des Rückfahrlichts, um sie als Rückfahrkamera zu verwenden. Wenn Sie diese Funktion nicht benötigen, können Sie das rote Kabel ignorieren.

## VIII. Tipps

1. Verwenden Sie bitte den von uns ausgerüsteten Spezialadapter. Ein mangelhafter Adapter kann eine Gefahr für das Produkt bringen und brennt sogar das Produkt durch.
2. Verwenden Sie bitte nicht unter Feucht- oder Hochtemperaturumgebung das Produkt
3. Bleiben Sie das Objektiv sauber, um die Aufnahmewirkung nicht zu beeinflussen.
4. Demontieren Sie nicht ungefugt dieses Produkt, um Ihre rechtlichen Interessen zu garantieren.
5. Halten Sie staatliche bezugliche Gesetze streng ein. Man darf nicht diese Produkt unrechtlich verwenden.

## AVANT-PROPOS

Merci d'avoir acheté cet enregistreur numérique d'images de voiture HD. Ce produit est un enregistreur de conduite multi-fonctions sophistiqué, ultra-fin et élégant en alliage, spécialement développé pour préserver l'aspect original de la voiture d'origine, afin que votre vie soit sans souci et colorée.

Ce manuel d'utilisation explique en détail comment utiliser, les précautions, les spécifications techniques, etc. Veuillez lire attentivement ce manuel avant utilisation et le conserver en bon état. Nous espérons que ce produit pourra répondre à vos exigences et vous servir longtemps!

## Enregistreur De Conduite à Écran Ips 4 Pouce

### I. INTRODUCTION DU PRODUIT

Ce produit multifonctionnel comprend une caméra haute définition, une double caméra, une image inversée, un enregistrement par simple contact, une caméra Web, un capteur de gravité et d'autres fonctions. Principalement utilisé pour le tir en voiture, mais aussi pour d'autres activités de plein air.

#### Table accessoire:

1. Unité principale
2. Chargeur de voiture
3. Caméra arrière
4. Support de ventouse
5. Manuel d'instructions

Remarques: Les accessoires réels sont soumis au produit réel.

### II. LES CARACTÉRISTIQUES DU PRODUIT

1. Corps en alliage magnifiquement conçu, facile à prendre des photos.
2. Fonction de détection de mouvement haute sensibilité.
3. L'écran IPS haute résolution de 4,0 pouces peut voir immédiatement les photos prises sur les lieux et peut être lu immédiatement en cas d'accident, dégageant la responsabilité de l'accident et réduisant le litige.
4. Téléchargez facilement des sites vidéos en satisfaisant la lecture directe de plusieurs lecteurs.
5. Lentille en verre à 6 couches super grand-angle haute définition de 2 mégapixels, l'angle de vision peut atteindre 170°, la ligne

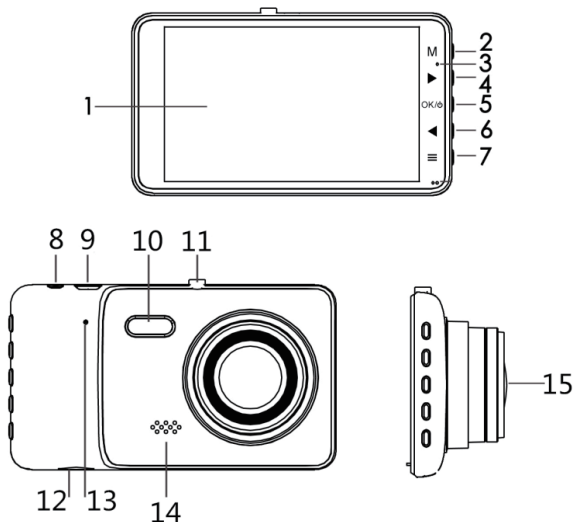
- de mire peut toucher l'avant de la voiture et l'enregistrement complet ne laisse pas un angle mort.
- 6.La carte TF utilise des périphériques de stockage de classe 10 ou supérieure et prend en charge jusqu'à 32 GB.
- 7.Facile à installer, conservez la voiture d'origine.
- 8.Détection de la gravité: Ce produit est doté d'un capteur G. Lorsque le véhicule entre en collision, l'enregistreur peut enregistrer automatiquement le verrou vidéo important enregistré (la vidéo verrouillée ne sera pas couverte par la fonction «enregistrement en boucle»).

### III. SPÉCIFICATIONS

Taille de l'écran LCD	Écran HD pleine vue 4 "IPS
Appareil photo	2 mégapixels
Format vidéo	MOV
Résolution vidéo	1296P 1080FHD 720P
Résolution photo	VGA 1.3M 2M 3M 5M 8M 10M 12M
Format photo	JPG
Type de carte mémoire	Carte TF
Capacité de la carte mémoire	Capacité maximale de 32G
Caméra de tir arrière	Soutien
Réglage de la langue	Chinois, anglais, allemand, français, espagnol, italien
Microphone / corne	Soutien
Interface USB	USB2.0 5pin
Interface de puissance	USB2.0 DC5V 1.5A
Fréquence	50HZ/60HZ
Batterie	Batterie au lithium polymère 300mAh 3.7V
Courant de travail	590mA
Microphone / corne	Soutien
Température de stockage	-30°C~70°C
Température de fonctionnement	0°C~50°C



## IV. STRUCTURE DU PRODUIT



- |   |  |
|---|--|
| 1) Écran  | 8) Interface de la caméra arrière          |
| 2) Bouton du Mode [M]                           | 9) MINI USB (interface d'alimentation)     |
| 3) Indicateur d'alimentation                    | 10) Lumière d'appoint                      |
| 4) Bouton de défilement au précédent [▶]        | 11) Interface du support                   |
| 5) Bouton de confirmation / alimentation [OK/⏻] | 12) Emplacement pour carte TF              |
| 6) Bouton de défilement au suivant [◀]          | 13) Réinitialisation du trou de la serrure |
| 7) Bouton de menu [≡]                           | 14) Haut-parleur                           |
|   | 15) Caméra frontale.                       |

### Description du bouton commun:

**Bouton du Mode [M]** 1) Fonction de retour: retour à la page précédente. 2) Fonction de commutation: bascule entre la lecture de fichier de caméra vidéo et les paramètres du menu système. 3) Fonction de verrouillage: appuyez brièvement en mode enregistrement pour verrouiller / déverrouiller le fichier actuel.

**Bouton de défilement au précédent [ ► ]** Appuyez brièvement sur cette touche pour sélectionner le réglage du menu et la sélection de fichier, appuyez brièvement sur cette touche en mode d'attente d'enregistrement pour permuter l'objectif avant / arrière, pour passer au fichier précédent en mode de visualisation.

**Bouton de confirmation[OK/⏻]** Appuyez longuement sur le bouton OK pour allumer / éteindre le téléphone, appuyez sur le bouton Démarrer / arrêter l'enregistrement en mode d'enregistrement de démarrage, utilisez la fonction de confirmation dans les paramètres du menu, appuyez brièvement sur le fichier pendant la lecture du fichier, appuyez brièvement sur l'appareil photo en mode caméra.

**Bouton de menu[◀]** Lors du paramétrage du menu et de la sélection du fichier, appuyez brièvement pour sélectionner, appuyez brièvement pour activer / désactiver l'enregistrement pendant l'enregistrement, appuyez longuement pour activer / désactiver la protection de parking en enregistrement ou en veille, passer en mode de lecture Aller au fichier suivant.

**Bouton de menu[≡]** Appuyez la brièvement en mode d'attente d'enregistrement pour accéder au menu d'enregistrement et aux paramètres du menu système; appuyez la brièvement en mode photo pour accéder au menu photo et aux paramètres du menu système; appuyez la brièvement en mode de lecture de fichier pour saisir les paramètres de suppression de fichier et de menu système.

**Appuyez sur la touche de menu [≡] en mode d'attente d'enregistrement pour régler les points suivants:**

Pouvoir de résolution	1296P 1080FHD 720P
Caméras doubles	Fermeture/ Ouverture
Enregistrement en boucle	EFermeture/1 Min/3 Min /5 Min
Vidéo d'intervalle	Fermeture/100ms/200ms/500ms
Plage dynamique élevée	Fermeture/ Ouverture
Compensation d'exposition	+3 +2 +1 +0 -1 -2 -3
Détection de mouvement	Fermeture/Ouverture
Enregistrement audio	Fermeture/Ouverture
Lable de date	Fermeture/Ouverture
Détecteur de gravité	Fermeture/Faible/Moyen/Élevé
Parking surveillé	Fermeture/ Ouverture

En mode attente d'enregistrement / mode photo/ mode de lecture de fichier, appuyez sur le bouton de menu [≡], puis sur le bouton de mode [M] pour régler les éléments suivants:

Protection d'écran	Fermeture / 30 S / 1 Min / 2 Min
Arrêt automatique	Fermeture / 1 Min / 3 Min/ 5 Min
Fréquence de source de lumière	50Hz/ 60Hz
Bip sonore	Fermeture/ Ouverture
Langues	chinois, anglais, français, allemand, italien, espagnol
Date / Heure	AA / MM / JJ / HH / MM / SS
Lumière d'appoint	Fermeture/ Ouverture/ Auto
Format	supprimer / confirmer
Réglage par défaut	supprimer / confirmer
Version	*****

Appuyez sur la touche de menu [≡] en mode veille de l'appareil photo pour définir les options suivantes:


Méthode photographique	Un coup/2 secondes/ 5 secondes/10 secondes
Pouvoir de résolution	VGA 1.3M 2M 3M 5M 8M 10M 12M
Photographier en continue	Fermeture/ Ouverture
Qualité d'image	Haute qualité / Normale / économie
Acuité	Forte / Normale / Douce
Balance des blancs	Auto/Lumière du jour/Foncé/ Tungstène/Fluorescent
Couleur	Aucun effet / noir et blanc / Classique
ISO	Auto 100/200/400
Compensation d'exposition	+3 +2 +1 +0 -1 -2 -3
Anti-choc	Fermeture/ Ouverture
Label de date	Fermeture/ Ouverture

En mode de lecture de fichier, appuyez sur la touche de menu [≡] pour définir le contenu suivant:

Effacer	Supprimer le courant / Effacer tout?
Protection	Verrouiller le fichier actuel / Déverrouiller le fichier actuel / Verrouiller Tout / Déverrouiller Tout
Emettre la diapositive	2S/ 5S / 8S

## V. CARACTÉRISTIQUES DU PRODUIT ET MODE D'EMPLOI

Touche de commutation	1. Manuel: maintenez la touche OK [OK / ⏻] enfoncée pendant 5 secondes pour l'activer ou la désactiver.2.Auto: S'allume automatiquement lorsqu'il y a une entrée d'alimentation externe, l'alimentation externe est coupée après un certain temps et l'enregistrement est automatiquement sauvegardé.
Enregistrement	Insérez la carte mémoire, branchez le cordon d'alimentation de la voiture, enregistrez automatiquement après la mise sous tension, le voyant vidéo (point rouge) clignote, appuyez sur la touche OK [OK / ⏻] pour arrêter l'enregistrement.
Prendre une photo	En mode d'attente d'enregistrement, appuyez sur le bouton de mode [M] pour passer en mode appareil photo, appuyez brièvement sur le bouton de confirmation pour prendre une photo et enregistrer.
Lecture de fichier	En mode veille, appuyez deux fois sur la touche de mode [M] pour passer en mode de lecture de fichier, appuyez sur les touches de navigation haut et bas pour sélectionner le fichier, appuyez brièvement sur [OK / ⏻] pour lire le fichier et appuyez sur les touches de navigation haut et bas pour effectuer une avance / un retour rapide.

Connexion USB	Trois options apparaissent lorsque le câble USB est branché sur l'ordinateur: 1.Mémoire: appuyez brièvement sur le bouton de confirmation [OK /  ] pour accéder au disque de lecture USB. Vous pouvez ainsi lire, copier, supprimer et autres fichiers sur l'ordinateur. 2.Caméra PC: Peut être utilisée comme webcam.3.Mode d'enregistrement: alimenter l'enregistreur, l'enregistreur peut fonctionner normalement.
Enregistrement en boucle	Ce produit peut faire défiler la vidéo et définir le mode boucle dans le menu d'enregistrement – enregistrement en boucle. S'il est défini sur 3 minutes, l'enregistreur enregistre automatiquement un fichier vidéo toutes les 3 minutes. Lorsque la carte mémoire est pleine, l'enregistreur enregistre les anciens fichiers qui ne sont pas verrouillés selon le principe du premier entré, premier sorti.
Détection de la gravité	Lorsque le véhicule est soumis à une force externe, le capteur G intégré de l'enregistreur fonctionne et l'enregistreur de conduite peut automatiquement verrouiller et enregistrer le fichier en cours d'enregistrement. Les fichiers enregistrés avec des verrous ne sont pas écrasés par la fonction d'enregistrement en boucle. La sensibilité du capteur G peut être ajustée dans le menu.
Fonction de verrouillage	F En mode d'enregistrement normal, appuyez brièvement sur la touche de mode [M] pour verrouiller le fichier en cours sans être écrasé: à ce moment-là, une icône représentant un verrou apparaît dans le coin supérieur gauche de l'écran de l'enregistreur de conduite.

Garde de stationnement	Lorsque la protection de stationnement est ouverte, si la machine détecte une collision, elle commence automatiquement l'enregistrement et verrouille le fichier en cours pour éviter que le fichier ne soit écrasé.
Détection de mouvement	En mode veille, lorsque l'option de menu «Détection de mouvement» est activée, la caméra capture automatiquement les objets en mouvement et les enregistre automatiquement; si aucun objet ne bouge, l'enregistrement s'arrête automatiquement. Ce système de fonctionnalités est désactivé par défaut.
Enregistrement	Vous pouvez choisir d'enregistrer le son pendant l'enregistrement. Il est activé par défaut.
Inverser l'image	Une fois la caméra externe connectée, la caméra bascule automatiquement sur l'image inversée lorsque la voiture fait marche arrière et la caméra vidéo est retirée après l'affichage en plein écran.
Batterieladung	La batterie est automatiquement chargée lorsque l'alimentation externe est branchée
Économiseur d'écran automatique	La minuterie peut éteindre automatiquement l'écran, de sorte que le produit fonctionne à très basse consommation d'énergie; dans «l'écran de veille» du menu système, il existe quatre modes:«Eteindre/ 30 secondes / 1 minute / 2 minutes», sélectionnez « 1minutes » pour passer en mode d'économie après une minute d'allumage et éteindre l'écran.

Réglage du menu	Appuyez sur le bouton Menu en mode veille pour définir la résolution d'enregistrement, l'enregistrement en boucle, la compensation d'exposition, la détection de mouvement, l'enregistrement et d'autres menus. Appuyez à nouveau sur le bouton de menu pour régler la date et l'heure du système, l'extinction automatique, le son du bouton, le réglage de la langue, la fréquence de la source lumineuse, etc.
-----------------	---

**Remarques.** Lors de l'utilisation de ce produit, une utilisation incorrecte peut provoquer un crash. Vous pouvez utiliser un petit objet dur pour appuyer légèrement sur le bouton de réinitialisation et le rallumer. Vous pouvez rétablir le fonctionnement normal de l'appareil.

## VI. GUIDE D'INSTALLATION

1. Arrêtez le moteur de la voiture et éteignez l'enregistreur.
2. Insérez la carte TF à grande vitesse (classe 10 ou supérieure) dans le logement de carte de l'enregistreur. [Remarque] La carte TF doit être formatée pour la première fois dans l'enregistreur.
3. Fixez l'enregistreur à la position d'origine du rétroviseur de la voiture.
4. Insérez le chargeur de voiture dans l'allume-cigare et branchez l'autre extrémité dans le port USB de l'enregistreur. [Remarque] Le câble de rallonge de câblage peut être posé le long du bord du pare-brise de la voiture pendant le câblage.
5. Lors de l'installation de la caméra arrière, branchez d'abord la fiche à l'interface enregistreur, puis faites passer le câble d'avant en arrière sur le toit du véhicule, installez la caméra arrière à l'arrière du véhicule, connectez la ligne rouge au pôle positif du véhicule et Fil de terre. Faites attention à la direction lors de l'installation.
6. Ajustez la position de l'objectif pour vous assurer qu'il est au même niveau que le sol.
7. Démarrez le moteur et vérifiez que la machine est correctement installée.

## VII. QUESTIONS ET RÉPONSES

1. Pourquoi l'appareil ne démarre pas?

A: Veuillez confirmer si la caméra de tableau de bord est en cours de chargement ou connectée au chargeur de voiture ou non. Lorsque vous démarrez votre moteur de voiture, la caméra est allumée et enregistre automatiquement.

2. Pourquoi la nouvelle carte insérée mentionne t'elle une erreur de carte mémoire?

R: L'appareil vérifie que la nouvelle carte ne contient aucun fichier système, ce qui entraînera une erreur. Veuillez formater la carte mémoire avec cet appareil.

3. Pourquoi la carte mémoire achetée ne peut pas enregistrer, peut se bloquer, ne contient aucun fichier vidéo, ne peut pas lire?

R: La carte mémoire n'est pas formatée sur cette machine, ou une carte basse vitesse, une fausse carte. Veuillez remplacer la carte mémoire haute vitesse authentique de classe 10 ou supérieure.

4. Pourquoi l'appareil ne peut pas lire la vidéo en boucle?

Réponse: 1) Le client a activé la fonction de détection de gravité et la fonction de surveillance du stationnement; ces deux fonctions générant le fichier de verrouillage, s'il ya trop de fichiers de verrouillage, l'enregistrement s'arrête et la carte est pleine. Vous pouvez choisir de désactiver ces deux fonctions ou d'ajuster la sensibilité du capteur G à faible. Si vous souhaitez supprimer ces fichiers verrouillés sans importance, commencez par les déverrouiller et supprimez-les directement sur l'appareil photo du tableau de bord, ou connectez l'appareil photo du tableau de bord ou la carte mémoire à votre ordinateur et supprimez-les sur votre ordinateur.

2) Sur le marché, beaucoup de cartes à faible vitesse ou de cartes noires se font passer pour des cartes à grande vitesse. Si une telle carte est utilisée, la carte-guide sera pleine. L'enregistreur de voyage enregistrant normalement, si la carte a un problème, l'appareil commettra des erreurs.

5. Comment l'appareil peut travailler normalement après avoir enregistré le clash ?



R: Si l'appareil est utilisé, cela pourrait provoquer un blocage pour une raison quelconque, appuyer sur le bouton poussoir de réinitialisation avec un petit objet dur pour réinitialiser l'alimentation.

#### 6. Comment faire fonctionner la caméra arrière?

A: 1) Vous devez le brancher sur l'appareil photo principal, la vue arrière s'affichera automatiquement à l'écran. Appuyez sur le bouton [ ◀ ] pour changer les vues avant et arrière.

2) Si vous avez besoin de la vue de recul (vous pouvez voir la ligne de direction sur l'écran lorsque vous inversez la voiture), connectez-la à la caméra principale et câblez le fil rouge à l'électrode positive de la lumière de recul pour l'utiliser comme caméra de recul. Si vous n'avez pas besoin de cette fonctionnalité, vous pouvez ignorer le fil rouge.

### VIII. ATTENTION

1. S'il vous plaît utiliser les adaptateurs spéciaux fournis par notre société. Si les adaptateurs non qualifiés sont utilisés, cela causera des dommages aux produits et même brûler les produits.
2. Veuillez ne pas utiliser ce produit dans un environnement humide ou à haute température.
3. Veuillez garder l'objectif propre afin de ne pas affecter l'effet de l'appareil photo.
4. Afin de protéger vos droits légaux, veuillez ne pas démonter ce produit.
5. Veuillez respecter scrupuleusement les lois nationales en vigueur et ne pas utiliser ce produit à des fins illégales.

## Prólogo

Gracias por la compra de esta serie de grabadora de vídeo digital para automóviles de alta definición. Este producto es un grabador de automóviles multifuncional, de cubierta de aleación, delicado, ultrafino y moderno, especialmente desarrollado sobre la base de mantener el aspecto original del automóvil, haciendo su vida despreocupada y colorida.

Este manual del usuario explicará el método de uso, los asuntos que requieren atención y las especificaciones técnicas en detalle. Lea atentamente este manual antes de usarlo y cuídelo bien. Esperamos que este producto pueda satisfacer sus requisitos y servirle durante mucho tiempo.

## Grabador de automóviles de Ventosa IPS 4 ” (4 pulgadas)

### I. Introducción de Producto

Este producto es un producto multifuncional con cámara de alta definición, cámara dual, imagen de marcha atrás, grabación con un solo botón, cámara web, detección de gravedad y otras funciones. Se utiliza principalmente para fotografía montada en vehículo, pero también es adecuado para otras actividades al aire libre.

#### Lista de accesorios:

1. Ordenador central
2. Cargador de coche
3. Cámara trasera
4. Montaje por succión
5. Manual del usuario

**Observaciones:** Los accesorios reales estarán sujetos a los objetos reales.

### II. Características de Producto

1. Buen diseño de aleación de fuselaje, cámara fácil, foto.
2. Función de detección de movimiento de alta sensibilidad.
3. La pantalla IPS de alta resolución de 4.0 pulgadas puede ver inmediatamente las imágenes tomadas en la escena, y puede reproducirse inmediatamente en la escena de un accidente, para aclarar la responsabilidad del accidente y reducir la aparición de disputas.
4. Conoce a una variedad de jugadores para jugar directamente, sube fácilmente el sitio web de vídeos.

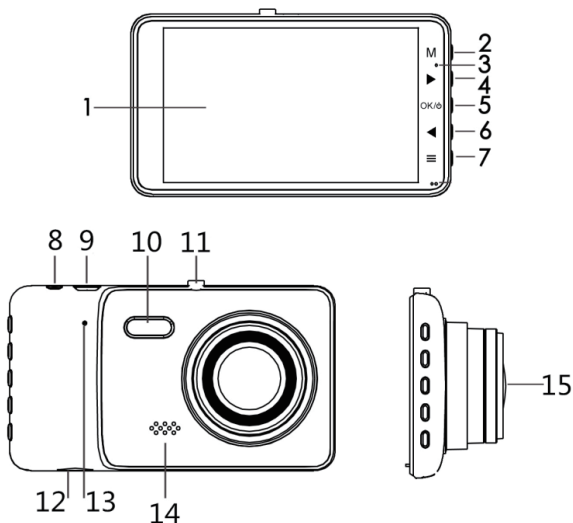
5. Lente de cristal de 6 capas de alta definición de gran angular de 2 megapíxeles, el ángulo de visión puede alcanzar los 170°, la línea de visión puede tocar ambos lados de la parte delantera del auto, registro completo sin esquinas.
6. Las tarjetas TF utilizan dispositivos de almacenamiento de CLASE 10 o superior con un máximo de 32 GB.
7. Fácil instalación, mantener la apariencia original.
8. Inducción por gravedad: Este producto está equipado con G-sensor. Cuando el vehículo se choca, el grabador puede bloquear automáticamente el vídeo importante grabado en la actualidad y guardarlo (La función de "Grabación en Bucle" no sobrescribirá el bloqueo del vídeo guardado).

### III. Especificaciones

Tamaño de pantalla de cristal líquido	Pantalla de alta definición de vista completa 4 "
Cámara	2 megapíxeles
Formato de vídeo	MOV
Resolución de vídeo	1296P 1080FHD 720P
Resolución de fotos	VGA 1.3M 2M 3M 5M 8M 10M 12M
Formato de foto	JPG
Tipo de tarjeta de memoria	Tarjeta TF
Capacidad de tarjeta de memoria	Soporte máximo 32G
Cámara trasera	Apoyo
Ajuste de idioma	Chino, inglés, alemán, francés, español, italiano
Micrófono / bocina	Apoyo
Interfaz USB	USB2.0 5pin
Interfaz de potencia	USB2.0 DC5V 1.5A
Frecuencia	50HZ/60HZ
Batería	300mAh Batería de litio de polímero 3.7V
Corriente de trabajo	590mA

Micrófono / bocina	Apoyo
Temperatura de almacenamiento	-30°C~70°C
Temperatura de funcionamiento	0°C~50°C

#### IV. Estructura de Producto



- |  |                                    |
|--|------------------------------------|
| 1) Pantalla  | 8) Interfaz de cámara trasera      |
| 2) Botón de modo [M]                                   | 9) MINI USB (Interfaz de potencia) |
| 3) Indicador de potencia                               | 10) Luz de relleno                 |
| 4) Botón hacia arriba [▶]                              | 11) Interfaz de soporte            |
| 5) Botón de confirmación/<br>botón de encendido [OK/⏻] | 12) Ranura para tarjeta TF         |
| 6) Botón hacia abajo [◀]                               | 13) Agujero de botón de reinicio   |
| 7) Botón de menú [≡]                                   | 14) Altavoz                        |
|  | 15) Cámara frontal                 |

## Descripción del botón común:

**Botón de modo [M]** 1) Función de retorno: volver a la página anterior. 2) Función de cambio: cambiar vídeo – cámara – reproducción de archivos, y cambiar la configuración del menú del sistema. 3) Función de bloqueo: en el modo de vídeo, presione el botón para bloquear / desbloquear el archivo actual.

**Botón hacia arriba [▶]** En el menú de configuración y selección de archivos, presione hacia arriba para seleccionar. En el modo de espera de grabación, presione brevemente para cambiar la lente delantera / trasera; Cambia al archivo anterior en el modo de reproducción.

**Botón de confirmación [OK/⏻]** Mantenga presionado OK para encender / apagar; Pulse brevemente para iniciar / detener la grabación al iniciar la grabación; En el menú Ajustes como función de confirmación; Pulse brevemente para reproducir el archivo durante la reproducción. Toma la foto en modo foto.

**Botón hacia abajo [◀]** En el menú de configuración y selección de archivos, presione hacia abajo para seleccionar; Presione brevemente para habilitar / deshabilitar la función de grabación durante la grabación; Encienda / apague el protector de estacionamiento cuando esté grabando o en espera; Cambia al siguiente archivo en el modo de reproducción.

**Botón de menú [≡]** En el modo de espera de grabación, presione el botón para ingresar a la configuración del menú de grabación y del menú del sistema. Presione el botón en el modo de cámara para ingresar a la Configuración del menú de la cámara y del menú del sistema. Presione en el modo de reproducción de archivos para ingresar la eliminación de archivos y las configuraciones del menú del sistema.

**Presione el botón de menú [≡] en el modo de espera para configurar los siguientes contenidos:**

Resolución	1296P 1080FHD 720P
Cámara doble	Apagar / Encender
Grabación cíclica	Apagar /1 minuto / 3 minutos / 5 minutos
Retrato con intervalos	Apagar /100ms/200ms/500ms
Ámbito de momentos con alta intensidad	Apagado / encendido
Exposición	+3 +2 +1 +0 -1 -2 -3

Detección de movimiento	Apagar / Encender
Grabar	Apagar / Encender
Etiqueta de Fecha	Apagar / Encender
Inducción de la gravedad	Apagar /Baja / Media / Alta
estacionamiento con vigilancia	Apagar / Encender

Presione brevemente el botón de menú [≡] en modo de espera de grabación/ modo de foto/ modo de reproducción de archivos y luego presione el botón de modo [M] para configurar los siguientes contenidos:

Protección de pantalla	Apagar/30 segundos/1 minuto/2 minutos
Desconexión Automático	Apagar/1 minuto/3 minutos/5 minutos
Frecuencia de luz	50Hz/ 60Hz
Sonido del teclado	Apagar / Encender
Configuración de idioma	Chino, inglés, francés, alemán, italiano, español
Fecha / Hora	YY/MM/DD/HH/MM/SS
Luz de relleno	Apagar / Encender/Automático
Formatear	Cancelar / confirmar
configuración original	Cancelar / confirmar
Versión	*****

Presione el botón de menú [≡] en el modo de espera de fotografía para configurar los siguientes contenidos:

Modo grabación	Una sola foto/Cronómetro de 2 S/Cronómetro de 5 S/Cronómetro de 10 S
Resolución	VGA 1.3M 2M 3M 5M 8M 10M 12M
Fotografía continua	Apagar / Encender
Calidad de foto	Buena calidad / Estándar / Económico
Nitidez	Fuerte / Estándar / Suave
Balance Blanco	Encender / Luz solar / Nublado / Lámpara de tungsteno/Lampara fluorescente

Color	Sin efectos especiales/ en blanco y negro / Nostálgico
ISO	Encender/ 100/200/400
Compensación de la exposición	+3 +2 +1 +0 -1 -2 -3
Estabilización	Apagar / Encender
Etiqueta de fecha	Apagar / Encender

Presione el botón de menú [ ≡ ] en el modo de reproducción de archivos para configurar los siguientes contenidos:

Borrar	Borrar el actual/Borrar todo
Proteger	Bloquear el actual/Desbloquear el actual/ Bloquear Todo/Desbloquear Todo
Reproducir Diapositivas	2 segundos/5 segundos/8 segundos

## V.Función del producto y manual de instrucciones

Encendido y apagado	1.Manual: Mantenga presionado el botón OK [OK/⏻] durante 5 segundos para encender y apagar.2.Automático: Cuando hay una entrada de alimentación externa se inicia automáticamente; Cuando la fuente de alimentación externa se desconecta por un período de tiempo, se apaga y guarda automáticamente el vídeo.
Vídeo	Inserte la tarjeta de memoria, conecte el cable de alimentación montada en vehículo y luego grabe el vídeo automáticamente. El indicador de vídeo (punto rojo) parpadea, y presione el botón OK [OK/⏻] para detener la grabación.
Foto	En el modo de espera, presione el botón de modo [M] para ingresar al modo de disparo y presione el botón hacia abajo para tomar una foto y guardarla.

Reproducción de archivos	En el modo de espera, presione el botón de modo [M] dos veces para ingresar al modo de reproducción de archivos, presione el botón hacia abajo y abajo para seleccionar el archivo, presione el botón de confirmación [OK/⏏] para reproducir el archivo, presione la tecla de abajo para reproducir el archivo y presione la tecla de arriba y abajo para avanzar o retroceder rápidamente .
Conexión USB	Aparecerán tres opciones cuando el cable de datos USB esté conectado a la computadora:1.Almacenamiento: Presione el botón hacia abajo [OK/⏏] para ingresar al disco USB, que puede usarse para reproducir, copiar, eliminar y otras operaciones en la computadora.2.Cámara de PC: Se puede utilizar como cámara web.3.Modos de grabación: Encienda la grabadora, que puede grabar normalmente.
Grabación en bucle	Este producto puede realizar ciclos de grabación de vídeo. Puede configurar el modo de ciclo en el menú de vídeo – ciclo de grabación. Si se configura en 3 minutos, la grabadora guarda automáticamente un archivo de vídeo cada 3 minutos. Cuando la tarjeta de memoria está llena, la grabadora sobrescribirá y guardará los archivos antiguos que no estén bloqueados de acuerdo con el principio de primero en llegar y primero en salir.
Inducción de gravedad	Cuando el automóvil es golpeado por una fuerza externa, el G-sensor dentro del grabador funcionará. El grabador de automóviles puede bloquear y guardar automáticamente los archivos de vídeo actuales, y aparecerá una marca de bloqueo en la parte superior izquierda de la pantalla. Los archivos guardados bloqueados no serán sobrescritos por la función de grabación en bucle. La sensibilidad del G-sensor se puede ajustar en el menú.



<p>Función de bloqueo</p>	<p>En el estado de grabación normal, presione el botón de modo [M] y bloquéela para guardar el archivo actual sin sobrescribirlo. En este momento, el icono de marca de un candado aparecerá en la esquina superior izquierda de la pantalla de visualización del grabador de automóviles.</p>
<p>Guardia de aparcamiento</p>	<p>Cuando el guardia de estacionamiento está encendido, la máquina comienza a grabar automáticamente si detecta una colisión y bloquea el archivo actual para evitar que se sobrescriba.</p>
<p>Detección de movimiento</p>	<p>En el modo de espera, cuando la opción de menú "Detección de Movimiento" está activada, la cámara capturaré automáticamente los objetos en movimiento y grabará automáticamente. Se detiene automáticamente la grabación cuando no se mueve ningún objeto. Esta función está apagada por defecto.</p>
<p>Grabación</p>	<p>Puede elegir si necesita ingresar sonido en el proceso de grabación y activarlo de forma predeterminada.</p>
<p>Batterieladung</p>	<p>Después de conectar la cámara trasera, cuando el automóvil está retrocediendo, cambiará automáticamente a la imagen inversa y mostrará la cámara trasera en pantalla completa.</p>
<p>Carga de la batería</p>	<p>La batería se cargará automáticamente cuando esté enchufada.</p>

<p>Protector de pantalla automático</p>	<p>Ajustar el tiempo puede cerrar automáticamente la pantalla de visualización, hacer que este producto funcione con un consumo de energía muy bajo; En el "Protector de Pantalla" del menú del sistema, puede elegir cuatro modos: "Apagado / 30 segundos / 1 minuto / 2 minutos". Seleccionar "1 minuto" significa ingresar al modo de ahorro de energía después de comenzar durante 1 minuto y apagar la pantalla.</p>
<p>Configuración del menú</p>	<p>En el modo de espera, haga clic en la tecla de menú para configurar la resolución de vídeo, la grabación en bucle, la compensación de exposición, la detección de movimiento, la grabación y otros menús. Vuelva a hacer clic en la tecla de menú para configurar la fecha y la hora del sistema, el apagado automático, el sonido de las teclas, la configuración de idioma, la frecuencia de la fuente de luz, etc.</p>
<p>Observaciones</p>	<p>Cuando el funcionamiento incorrecto de este producto provoca que se congela, la máquina puede restablecerse a la normalidad presionando suavemente el orificio de la llave de reinicio con un objeto pequeño y duro.</p>

## VI. Guía de Instalación

1. Apague el motor del automóvil y apague el grabador.
2. Inserte la tarjeta TF de alta velocidad (Class10 o superior) en la ranura de tarjeta de grabador.  
[Nota] La tarjeta TF debe formatearse en el grabador cuando se utiliza por primera vez.
3. Coloque el grabador en el espejo retrovisor original del automóvil.
4. Inserte el cargador de automóvil en el encendedor de cigarrillos y el otro extremo en el puerto USB del grabador.  
[Nota] Al realizar el cableado, el cable de extensión de carga se puede colocar a lo largo del borde del parabrisas.

5. Al instalar la cámara trasera, conecte primero el enchufe a la interfaz del grabador y luego el cable de adelante hacia atrás a lo largo del techo del vehículo. Instale la cámara trasera en el vehículo. Preste atención a la dirección al instalar.
6. Ajuste la posición de la lente para asegurarse de que esté nivelada con el suelo.
7. Enciende el motor y compruebe que la máquina está instalada correctamente.

## VII. Resolución de Problemas

### 1. Por qué no puede arrancar?

Respuesta: Confirme si se está cargando o si se ha conectado al cargador del automóvil o no; Cuando encienda el motor de su automóvil, la cámara se encenderá y grabará automáticamente.

### 2. Por qué la nueva tarjeta inserta la máquina muestra un error en la tarjeta de memoria?

Respuesta: La máquina verifica que no haya un archivo de sistema en la nueva tarjeta, por lo que se le solicitará un error. Utilice la máquina para formatear la tarjeta de memoria.

### 3. Por qué compra una tarjeta de memoria que no puede grabar, no puede atascarse, no tiene archivos de vídeo, no puede reproducir?

Respuesta: La tarjeta de memoria no está formateada en la máquina, o tarjeta de baja velocidad, tarjeta falsa, reemplace la tarjeta de memoria de alta velocidad original de Clase 10 o superior.

### 4. Por qué no puedes hacer el vídeo?

Respuesta: 1) El cliente ha activado la función de detección de gravedad y la función de monitoreo de estacionamiento; Dado que estas dos funciones crean archivos bloqueados, si hay demasiados archivos bloqueados, la grabación se detiene y la tarjeta de referencia está llena. Puede elegir desactivar estas dos funciones o ajustar la sensibilidad del sensor G a baja. Si desea eliminar los archivos bloqueados que no son importantes, desbloquéelos primero y elimínelos directamente en la cámara del tablero, o conecte la cámara del tablero o la tarjeta de memoria a su computadora, bórrelas en su computadora.

2) Muchas tarjetas de baja velocidad o tarjetas negras en el mercado pretenden ser tarjetas de alta velocidad. Si se utiliza este tipo de tarjeta, la tarjeta de recordatorio estará llena. Como el grabador está grabando todo el tiempo cuando funciona normalmente, si hay un problema con la tarjeta, la máquina cometerá un error de juicio

5. Cómo funciona el grabador normalmente después de congelarse?

Respuesta: Si la máquina se congela debido a algún motivo durante el uso, presione suavemente el orificio de la llave de reinicio con un pequeño objeto duro para reiniciar la máquina.

6. Cómo consigo que la cámara trasera funcione?

Respuesta: 1) Por favor enchúfelo a la cámara principal, la vista trasera se mostrará automáticamente en la pantalla. Al presionar el botón [▶] se pueden cambiar las vistas frontal y posterior.

2) Si necesita la vista de inversión (puede ver la línea de dirección en la pantalla cuando invierte el automóvil), enchúfelo a la cámara principal y conecte el cable rojo al electrodo positivo de la luz de inversión para usarlo como cámara de marcha atrás. Si no necesita esta función, puede ignorar el cable rojo.

## VIII. Precauciones

1. Por favor use el adaptador especial provisto por nuestra empresa. El adaptador no calificado dañará el producto o incluso lo quemará.
2. No utilice este producto en ambientes húmedos o con altas temperaturas.
3. Mantenga la lente limpia, para no afectar el efecto de la cámara.
4. Para proteger sus derechos e intereses legítimos, no desarme este producto sin autorización.
5. Respete estrictamente las leyes pertinentes del país y no utilice este producto para fines ilegales.

## Prefazione

Vi ringraziamo per aver acquistato questo registratore di immagine digitale per auto HD. Questo prodotto è un registratore di guida multifunzionale, ultrasottile ed elegante, sviluppato appositamente sulla base del mantenimento dell'aspetto originale dell'auto originale, al fine che la tua vita sia colorata e senza preoccupazioni.

Questo manuale dell'utente presenta dettagliatamente modo di utilizzo, attenzioni, specifiche tecniche, ect. Si prega di leggere attentamente questo manuale prima dell'uso, si prega di conservare bene questo manuale, speriamo che questo prodotto possa soddisfare le vostre esigenze e servirvi per lungo tempo!

## Registratore di guida a ventosa con schermo IPS da 4 "(4 pollici)

### I. Introduzione del prodotto

Questo è un prodotto multifunzionale dotato di definizione alta, doppia fotocamera, immagine di retromarcia, registrazione one-click, webcam, sensore di gravità. Utilizzato principalmente per le riprese sull'auto, ma anche per altre attività all'aperto.

#### Tabella degli accessori:

1. Dispositivo principale
2. Caricabatterie per auto
3. Telecamera posterior
4. Staffa della ventosa
5. Manuale di istruzioni

**Nota:** per gli accessori reali si vede quelli confezionati.

### II. Caratteristiche del prodotto

1. Corpo in lega dalla progettazione magnifica per una facile ripresa e fotografia.
2. Funzione di rilevamento del movimento ad alta sensibilità.
3. Lo schermo IPS da 4.0 pollici ad alta risoluzione consente di vedere immediatamente i immagini scattati, e in caso di incidente puo' riprodurli immediatamente al fine di chiarire la responsabilità dell'incidente e ridurre la controversia.
4. Soddisfa la riproduzione diretta sul diverso player, carica facilmente videi sul sitoweb
5. L'obiettivo di vetro a 6 strati ad alta definizione,

super grandangolare, 2 milioni di pixel, l'angolo di visione può raggiungere 170 °, l'area di vista può raggiungere i due lati della parte anteriore dell'auto, così riesce a fare la registrazione completa senza lasciare un angolo morto.

6. La scheda TF viene utilizzata sui dispositivi di memorizzazione con oltre classe 10 e fino a 32 GB.

7. Facile da installare, mantiene l'aspetto originale della vettura.

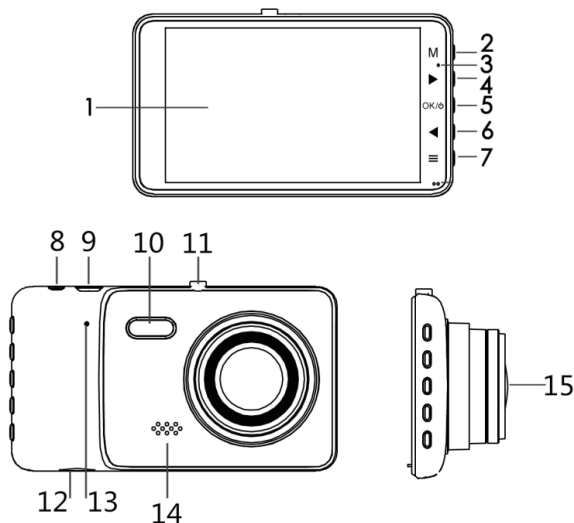
8. Sensore di gravità: questo prodotto è dotato di G-sensor. Quando il veicolo si scontra, il registratore può salvare automaticamente il video importante attualmente registrato (il video registrato salvato non sarà coperto dalla funzione "registrazione ciclica"). Videos werden nicht durch "Kreislaufaufnahme" gedeckt.

### III. Parametri delle specifiche

Dimensioni dello schermo LCD	Schermo IPS di visione completa da 4 " HD
fotocamera	2 milioni di pixel
Formato video	MOV
Definizione del video	1296P 1080FHD 720P
Definizione della foto	VGA 1.3M 2M 3M 5M 8M 10M 12M
Formato fotografico	JPG
Tipo di scheda di memoria	scheda TF
Capacità della scheda di memoria	Memorizzazione massima è di 32G
Fotocamera posteriore	supporto
Impostazione della lingua	Cinese, inglese, tedesco, francese, spagnolo, italiano
Microfono/altoparlante	Supporto
Interfaccia USB	USB2.0 5pin
Interfaccia di alimentazione	USB2.0 DC5V 1.5A
Frequenza	50HZ/60HZ
Batteria	Batteria al litio polimerica 300mAh 3.7V
Corrente di lavoro	590mA
Microfono/altoparlante	Supporto

Temperatura di conservazione	-30°C~70°C
Temperatura di esercizio	0°C~50°C

## IV. Struttura



- |  |   |
|--|---|
| 1) Schermo                                 | 8) Interfaccia telecamera posteriore      |
| 2) Tasto di modo[M]                        | 9) MINI USB(Interfaccia di alimentazione) |
| 3) Lampadina spia                          | 10) Luce ausiliaria                       |
| 4) Tasto Up[ ▶ ]                           | 11) Interfaccia del supporto              |
| 5) Conferma/tasto di alimentazione[OK / ⏻] | 12) Fessura di serratura TF               |
| 6) Tasto Down[ ◀ ]                         | 13) Buco del ripristino                   |
| 7) Menu[ ≡ ]                               | 14) Altoparlante                          |
|  | 15) Telecamera frontale                   |

### Descrizione dei tasti di uso frequente:

Tasto di modo[M] 1) Funzione di ritorno: torna alla pagina precedente. 2) Cambiamento di funzione: consente di alternare la riproduzione del file, della foto e video, e le impostazioni del menu di sistema. 3) Funzione di blocco: premere brevemente in modo di registrazione per bloccare / sbloccare il file corrente.

**Tasto Up [▶]** Premere brevemente al momento di selezionare file e impostare menu: premere brevemente in modo di aspettare registrazione per cambiare l'obiettivo anteriore/posteriore: tornare al file precedente in modo di riproduzione.

**Tasto Conferma [OK/⏻]** Premere e tenere premuto il tasto OK per accendere / spegnere: premere brevemente nello stato di registrazione di video per iniziare e fermare la registrazione di video, utilizzare la funzione di conferma nelle impostazioni del menu: premere brevemente per riprodurre il file alla riproduzione del file; premere brevemente per fare la foto nella modo di fotocamera

**Tasto Down [◀]** All'impostazione del menu e la selezione dei file, premere brevemente per la selezione: premere brevemente per accender / spegnere la registrazione alla registrazione; tiene premuto per accendere/spegnere il monitor di parcheggio alla registrazione o la pausa; Vai al prossimo file in modo di riproduzione del file ciclica.

**Tasto Menu [≡]** Premere brevemente nel modo della pausa di registrazione per entrare al menu di registrazione e alle impostazioni del menu di sistema; premere brevemente nel modo di fotocamera per entrare al menu della fotocamera e alle impostazioni del menu di sistema; premere brevemente nel modo di riproduzione del file per entrare alla cancellazione dei file e alle impostazioni del menu di sistema.

**Preme il tasto menu [≡] nel modo della pausa di registrazione per impostare i seguenti:**

Fotografare i pixel	1296P 1080FHD 720P
Video a due vie	Spegni/Apri
Loop diregistrazione	Spegni/1 minuto/3 minuti/5 minuti
Video a intervalli	Spegni /100ms/200ms/500ms
Elevata gamma dinamica	Spegni/Apri
Esposizione	+3 +2 +1 +0 -1 -2 -3
Rilevazione del movimento	Spegni/Apri
registrazione audio	Spegni/Apri
Stampa Data	Spegni/Apri
Sensore-G	Spegni/Bassa/Media/Alta
parcheggio custodito	Spegni/Apri



Nel modo di pausa della registrazione /fotografia/ modo di riproduzione, preme il tasto menu [ ≡ ], poi preme il tasto [M] per impostare i seguenti:

Protezione LCD	Spegni/30 secondi/un minuto/2 minuti
Spegnim.aut.	Spegni/1 minuto/3 minuti/5 minuti
Frequenza	50Hz/ 60Hz
Segnale acust.	Spegni/Apri
lingua	Chinese, English, Français, Deutsch, Italiano, Español
Data/Ora	YY/MM/DD/HH/MM/SS
Lampada dimmerabile	Spegni/Apri/Automatico
Formattazione	annullato/conferma
Impost predef	annullato/conferma
Versione	*****

Premere il tasto menu [ ≡ ] nel modo di pausa di scatta re una foto per impostare i seguenti:


Modalità di cattura	Scatto singolo / 2 sec di temporizzazione/ 5 sec di temporizzazione/ 10 sec di temporizzazione
Fotografare i pixel	VGA 1.3M 2M 3M 5M 8M 10M 12M
Scatto continuo	Spegni/Apri
Qualità	Forte / Normale / Economia
Nitidezza	Forte / Normale / Leggera
Bilanc. bianco	Automatico / Luce sole / Nuvoloso / Tungsteno / Fluorescente
Colore	Nessun effetto / bianco e nero / reminiscenza
ISO	Automatico 100/200/400
Esposizione	+3 +2 +1 +0 -1 -2 -3
Stabilizzazione	Spegni/Apri
Stampa Data	Spegni/Apri

Preme il tasto menu [≡] nel modo di riproduzione del file per impostare i seguenti:

Elimina	Cancella la corrente / Elimina tutto
Protezione	Blocchi la corrente / Sblocchi la corrente / Blocca tutto / Sblocca tutto
Mostra Diapositive	2 secondi / 5 secondi / 8 secondi

## V. Funzione del prodotto e istruzioni operative

Spegnimento/accensione	1. A mano: premere a lungo tasto [OK/⏻] da 5 secondi per accendere, spegnere 2. Automatico: si accende automaticamente al momento di collegamento con alimentazione esterna; l'alimentazione esterna viene scollegata dopo un certo periodo di tempo e la registrazione viene salvata automaticamente.
Registrazione	Inserire la scheda di memoria, collega il cavo di alimentazione per auto, registra automaticamente dopo l'accensione, la lampadina spia di registrazione (punto rosso) lampeggia, preme il tasto OK [OK/⏻] per fermare la registrazione.
Scattare foto	Nel modo di pausa della registrazione, preme brevemente il tasto della modo [M] per entrare al modo di scattare foto, preme brevemente il tasto di conferma per scattare e salvare foto.
Riproduzione del file	Nel modo della pausa preme due volte il tasto di modo [M] per entrare al modo della riproduzione di file, preme i tasti up e down per selezionare il file, preme brevemente il tasto [OK/⏻] per leggere il file e preme i tasti up e down per avanzamento /indietroreggimento rapido.

<p>Connessione USB</p>	<p>Tre punti da selezionare quando il cavo USB è collegato al computer:  1.Memoria: premere brevemente il tasto [OK/  ]per entrare al disco USB, è possibile riprodurre, copiare, cancellare file sul computer.2.Fotocamera PC: può essere utilizzata come webcam.3.Modulo di registrazione: Dare elettricità al registratore e il registratore può fare registrazione normalmente.</p>
<p>Registrazione in loop</p>	<p>Questo prodotto può coprire circolarmente il video e impostare la modalità loop nel menu di registrazione – registrazione in loop. Se impostato per 3 minuti, il registratore salva automaticamente un video ogni 3 minuti. Quando la scheda di memoria è piena, il nuovo file registrato del registratore può coprire il vecchio file non bloccato secondo il principio di “primo ad entrare e primo ad uscire” .</p>
<p>Sensore di gravità</p>	<p>Quando l’auto viene colpita da una forza esterna, il G-sensor installato del registratore funzionerà e il registratore di guida può bloccare e salvare automaticamente il file registrato corrente, una icona di lecheto apparirà nella parte superiore sinistra dello schermo. I file salvati bloccati non vengono coperti dalla funzione di registrazione ciclica. la sensibilità di G-sensor può essere regolata nel menu.</p>
<p>Funzione di blocco</p>	<p>Nello stato di registrazione normale, premere brevemente il tasto di modo[M]per bloccare il file corrente e non essere coperto, a questo momento, nell’angolo in alto a sinistra dello schermo sul registratore di guida verrà visualizzata l’icona di un lucchetto</p>

Monitor di parcheggio	Con l'accensione della funzione di monitor di parcheggio, se il registratore rileva una collisione, avvia automaticamente la registrazione e blocca il file corrente per evitare che il file venga coperto.
Rilevazione del movimento	Nel modo della pausa, quando il "Monitor di movimento" sull'opzione di menu è impostato in stato d'accensione, la fotocamera catturerà automaticamente gli oggetti in movimento e li registrerà automaticamente; quando nessun oggetto si muoverà, la registrazione si interromperà automaticamente. Questo sistema di funzione è spento acquiescentemente.
Registrazione	È possibile scegliere che se registra il suono durante la registrazione, ed è impostata acquiescentemente in accensione.
Immagine di retromarcia	Dopo aver collegato la fotocamera posteriore, può passare automaticamente all'immagine in retromarcia quando l'auto inverte la marcia, e il video registrato dalla fotocamera posteriore viene mostrato sullo schermo intero.
Carica elettrica della batteria	La batteria si carica automaticamente quando viene collegata con l'alimentazione esterna.
Salvaschermo automatico	Può spegnere automaticamente lo schermo in tempo definito, al fine che il prodotto funzioni a bassissimo consumo energetico; nello "Salvaschermo" del menu di sistema ci sono quattro modi: "spegnimento/ 30 secondi / 1 minuto / 2 minuti". "1 minuto" significa entrare al modo di risparmio energetico dopo 1 minuto di accensione e spegne lo schermo.

<p>Impostazione di menu</p>	<p>Premere il tasto Menu nel modo della pausa per impostare la definizione di registrazione, la registrazione ciclica, la compensazione dell'esposizione, il rilevamento del movimento, la registrazione vocale, ect. Preme di nuovo il tasto Menu per impostare la data e l'ora del sistema, lo spegnimento automatico, il suono del tasto, le impostazioni della lingua, la frequenza della sorgente di luce.</p>
-----------------------------	---

Nota: Quando utilizza questo prodotto, una operazione non appropriata può causare un blocco. È possibile utilizzare un piccolo oggetto duro per premere leggermente il foro sul tasto di ripristino per accenderlo di nuovo, poi il prodotto può essere ripristinato alla normalità.

## VI. Guida dell'installazione

1. Quando spegne il motore dell'auto, in tanto si interrompe il registratore.
2. Inserire la scheda TF ad alta velocità (oltre classe 10) nello fessura di serratura della scheda del registratore.  
[Attenzione]La scheda TF deve essere formattata nell'uso del registratore per la prima volta.
3. Fissare il registratore alla posizione originale dello specchietto retrovisore della vettura.
4. Inserire la caricabatteria per auto nell'accendisigari della sicurezza per automobile e inserire l'altra estremità nella interfaccia USB del registratore.  
[Attenzione]Quando esegnue il cablaggio Il cavo di prolunga della caricabatteria può essere messo lungo il bordo del parabrezza dell'auto.
5. Quando si installa la telecamera posteriore, inserisce prima la spina all'interfaccia del registratore, poi fa passare il cavo dalla parte anteriore a quella posteriore lungo il tetto del veicolo, installa la telecamera posteriore sul retro del veicolo,

collega il cavo rosso al polo positivo della luce di retromarcia e il cavo nero non è collegato o messo a terra. Presta attenzione alla direzione durante l'installazione.

6. Regolare la posizione dell'obiettivo per assicurarsi che l'obiettivo tiene livello con terreno.
7. Avviare il motore, controlla che il prodotto sia installato correttamente.

## VII. Rispondere ai problemi

### 1. Come mai non riesce ad accender il registratore?

Risponde: Si prega di confermare se è in carica o è stato collegato al caricabatterie per auto o meno; Quando avvii il motore dell'auto, la fotocamera si accenderà e registrerà automaticamente.

### 2. Perché al momento di inserire la nuova scheda nel registratore mostra un errore della scheda di memoria?

Risponde: Il registratore ha controllato che la nuova scheda non abbia file di sistema, quindi verrà mostrato un errore, si prega di formattare la scheda di memoria sul registratore.

### 3. Perché la scheda di memoria acquistato da me non riesce a registrare, è bloccata, non ha file di video e non può riprodurre?

Risponde: La scheda di memoria non è formattata sul registratore, o è una scheda a bassa velocità o una scheda falsa. Sostituisce la scheda di memoria originale ad alta velocità con oltre class 10.

### 4. Perché non riesce ad eseguire la registrazione ciclica?

Risponde: 1) Il cliente ha avviato la funzione del sensore di gravità e la funzione di monitor del parcheggio, poiché queste due funzioni producono un file di blocco, se ci sono troppi file di blocco, la registrazione si fermerà e indica che la scheda sia piena. È possibile scegliere di disattivare queste due funzioni o regolare la sensibilità del sensore G su un valore basso. Se si desidera eliminare quei file non importanti bloccati, si prega di sbloccarli per primi e di eliminarli direttamente sulla telecamera del cruscotto, oppure collegare la fotocamera del cruscotto o la scheda di memoria al computer, eliminarli sul computer.

2) Molte schede a bassa velocità o schede nere sul mercato fanno finta di essere schede ad alta velocità. Se vengono utilizzate queste schede, conseguentemente indica che la scheda sia piena. a causa che il registratore può fare la registrazione normalmente in qualsiasi momento sulla scheda di memoria al lavoro del registratore, Se la scheda ha un problema, il registratore può fare il giudizio sbagliato.

5.Come lavorare normalmente quando il registratore si blocca?

Risponde: Se durante l'utilizzo del registratore, si blocca da qualche causale. Preme il foro del tasto di ripristino con un piccolo oggetto rigido per ripristinare l'accensione.

6.Come posso far funzionare la telecamera posteriore?

Risponde: 1) Dovresti collegarlo alla fotocamera principale, la vista posteriore verrà visualizzata automaticamente sullo schermo. Premendo il pulsante [ ◀ ] è possibile alternare le viste anteriore e posteriore.

2) Se è necessaria la vista di retromarcia(è possibile vedere la linea di direzione sullo schermo quando si inverte l'auto), inserirla nella fotocamera principale e collegare il cavo rosso all'elettrodo positivo della luce di retromarcia da utilizzare come telecamera di retromarcia.Se non ti serve questa funzione, puoi ignorare il filo rosso.

## VIII. Attenzioni

1. Si prega di usare gli adattatori speciali forniti dalla nostra azienda, Se si usano adattatori non qualificati, causerà danni ai prodotti e anche brucia il prodotto.
2. Si prega di non usare questo prodotto in ambienti umidi o a temperatura alta.
3. Si prega di mantenere l'obiettivo pulito in modo da non ridurre l'effetto della fotocamera.
4. Per proteggere i tuoi diritti e interessi legali, vi preghiamo di non smontare privatamente questo prodotto.
5. Si prega di rispettare seriamente le leggi nazionali relativi e non utilizzare questo prodotto per scopi illegali.

