

Abask

FHD

Dual 1080P

Dash Cam



| User Manual |

Contents

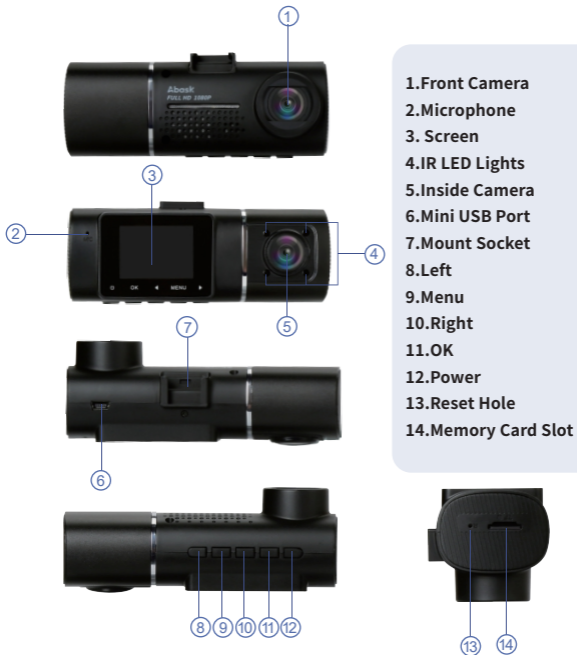
English.....	1–17
Deutsch.....	18–35
Français.....	36–53
Italiano.....	54–71
Español.....	72–89

English

Warm Tips:

- Please format the memory card in the camera menu at the first use.
- This camera records video at high resolution. Be sure to use a high-speed Micro SD card (Class 10 or above, max supports 64GB.) For safety reasons, the built-in battery is only used for emergency backup files.
- To work, the dash cam must be connected to the car's cigarette lighter socket or hardwired to the car's fuse box.
- The video from the front camera can be reviewed directly from the dash cam or PC, but what was recorded by the inside camera can only be reviewed through PC. Therefore, please connect the camera to the PC by the attached USB cable or just remove the memory card and read it on PC to review the footage.

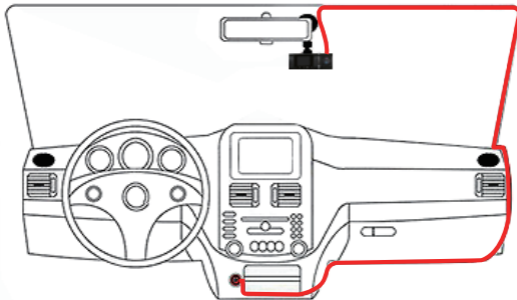
Interface and Button Function



Button Function

Power	<ul style="list-style-type: none">● Long press to turn ON / OFF the camera power.● Press to turn/off the screen.
OK	<ul style="list-style-type: none">● In video mode, press to start/ stop video recording● In camera mode, press to take a photo.● In menu setting, press to confirm selection and adjustment.● In playback mode, press to select and play recorded files.
◀ (LEFT)	<ul style="list-style-type: none">● In menu setting, press to select option.● In standby mode or video recording modes, press to switch front and inside display views.● In playback mode, press to select media files.● Long press to turn on/ off the LED light for the inside camera.
MENU	<ul style="list-style-type: none">● In standby mode, press to access the menu settings, and press twice to access System Setting Menu.● Return function: Press to return to the previous page.● In standby mode, long press to switch mode between Video / Photo / Playback.● During video recording, long press to lock/ unlock the current footage.
▶ (RIGHT)	<ul style="list-style-type: none">● In menu setting, press to select option.● In playback mode, press to select media files.● During video recording, press to turn on/ off audio recording while long press to on/ off parking monitor function.

Set up and Installation:



1. Before installation, please check the camera's normal function, and make sure you are using a high-speed Micro SD card(speed Class 10 or above), and format the card in the camera menu at the first use.
2. Use the suction cup mount to install the dash cam on the windshield. The recommended location is near the inside view mirror facing front.
3. Adjust the lens angle of the camera, make sure you get the best coverage over the hood and the road ahead, so you can record what happens.
4. Connect the camera to the car by the cigarette lighter, hide the rest of the cable in the gap of the interior trim board.

Operating Modes:

The dash cam operates in 3 modes: Video Recording Mode, Photo Mode and Playback Mode. These modes also have the menu to help you configure recording and taking photos. Long press menu button to switch between different modes and access to the mode you want. The represented icon for each mode shows on the top left corner of the screen.

Video Recording Mode:

The camera will automatically enter Video Recording Mode and start recording when connected to a car charger and power on. A Red dot flashing on the top left corner indicates record is in progress. Press the OK to stop recording, or start recording again. The following are icon representations of some common functions on the screen, indicating that these functions are enabled. (You can also find their representations through the menu accordingly).



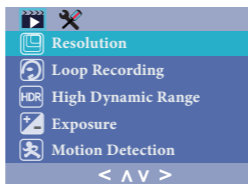
- 1 . Video Recording Mode
- 2 . Loop Recording
- 3 . Exposure
- 4 . Motion Detection
- 5 . HDR
- 6 . G-sensor
- 7 . Recording Time

- 8 . Resolution
- 9. Parking Monitor
- 10 . LED Light Status
- 11 . Memory Card Status
- 12 . Power Status
- 13 . Audio Status
- 14 . Time & Date

In all 3 operating mode , you can press the MENU button once to access the menu settings for that particular mode, and press twice to display System Setting Menu. The System Setting Menu is common to all modes.

Press ◀ and ▶ to scroll through the various setting options and press OK to select and confirm selection, Press MENU again to exit the setting menu.

Video Recording Menu :



Resolution: Adjust front camera recording video resolution 1080FHD / 720P / VGA, the inside camera will keep recording at 1080P.

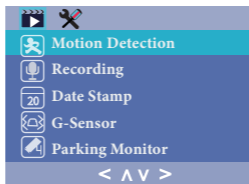
Loop Recording: Continuously record small video files of a length which is determined by the settings of 1/ 2/ 3 Mins. For example, if it is set for 3 minutes, the camera will automatically save a section of videos every 3 minutes. When the memory gets full, the dash cam will automatically delete the oldest video to record the latest video, which can avoid a lack of memory.

High Dynamic Range: Turn on to optimize video quality with

wider light range and image details.

Exposure: Adjust the exposure value to adjust the brightness of the video.

Motion Detection: Turn ON / OFF motion detection function.



Recording: Turn ON / OFF audio recording in the video.

Date Stamp: Enable / Disable the date and time marks in video files.

G-Sensor: G–G–sensor detects significant or sudden shock and movement, then automatically locks the current file from loop recording. Its sensitivity is adjustable (Off/ Low/ Medium/High)

Parking Monitor: It's used to protect your car after parking. With this function on, after you stop the car and the camera turns off, it stays standby. When camera detects shock and collision, it will automatically turn on and take a short video, then shut down automatically. **Note: To use this function when the car is parked, please buy a hard-wire kit (mini USB type) for dash cam then connect to the vehicle's fuse box power so as to supply the power to the camera.**

Photo Taking Mode:

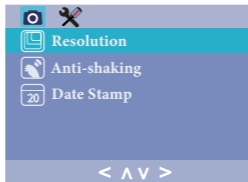
The camera can operate in Photo Taking Mode.

To take a photo:

In standby mode, long press MENU to switch to Photo Mode, and press OK to take a photo.

Like the Video Recording Mode, you can press the Menu button once to access the setting menu for Photo Mode, Press Menu twice to enter the system setting menu.

Photo Mode Menu :



Resolution: Set the photo resolution.
VGA/1M/2M/3M/5M/8M/10M for choices.

Anti-shaking: Turn on / off image stabilization function.

Date Stamp: Enable / Disable the date and time marked in image files.

Playback Mode:

This mode allows you to play back recorded video or view photos

1. Stop video recording, long press MENU button twice to enter playback mode.
2. Use ◀ and ▶ button to scroll through the recorded files / photos, and press OK to view recorded video.

Playback Menu:

After choosing a recorded video or photo, press the Menu button once to access the setting menu for Playback Mode.

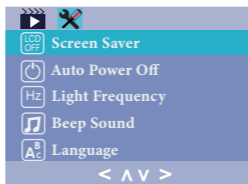


Delete : Delete the current file displayed or delete all files.

Protection : Lock / Unlock the current file displayed or lock / unlock all files.

System Setting Menu :

Press MENU button twice to access System Setting Menu in any mode. The TOOL icon is highlighted in the upper left corner.



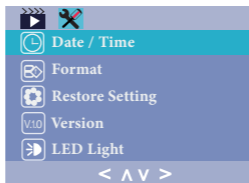
Screen Saver : Set the timing to automatically turn off the LCD display after no operation so as to have the product worked in very low power consumption; There are "Off, 30s, 1 Min, 2 Min" in this setting. For example, if it is set "30s", the screen will turn off after 30 seconds, but the camera is still working(recording). When you want to turn on the screen, you can press any button to activate the screen.

Auto Power Off : Set the time for the camera to automatically power off to save power . The camera will automatically power off when it is standby under the setting time. Off / 1 Minute/ 3 Minutes/ 5 Minutes

Light Frequency : Set light frequency to 50HZ or 60HZ according to local regulation.

Beep Sound: Turn on / off sound that when pressing any button made.

Language : Choose the camera system language: Chinese/ English/French/German/Italian/Spanish /Japanese.



Date / Time : Set the time and date by using the LEFT and RIGHT button, then press OK to confirm changes, press MENU button again to exit time setup.

Format : Format/ delete all data from the Micro SD card.

Restore Setting : Reset all settings back to factory default.

Version : Check firmware version.

LED Light : Set up the IR LED lamp working mode for the inside camera, On/ Off or Auto. In Auto mode, the IR LED will light when the light inside the car is too dark.

Specification

Model	J05
Video Resolution	1080FHD/720P/VGA
Photo Resolution	VGA/1M/2M/3M/5M/8M/10M
Screen	1.5 inch LCD Display
Angle	170° High-Resolution Wide Angle Lens
Video Resolution	Front : 1920 * 1080P(highest), inside : 1920 * 1080P
Frame Rate	30fps
Effective Pixels	2MP
Video Coding Format	H.264, MOV
Photo Format	JPEG
Screen Saver	Supported
Loop Recording	Off/ 1 Minute / 2Minutes / 3 Minute
HDR	Supported
G-sensor Lock	Supported
IR LED Lamps	4 pcs
Language	Chinese/English/French/German/ Italian/Spanish /Japanese
Audio Recording	Built-in microphone, On / Off optional
Storage	Micro SD Card (Class 10, up to 64GB)
USB interface	Mini USB
External power supply	DC 5V / 0.8A
Light Frequency	50HZ/60HZ
Battery	200mAh polymer lithium battery
Storage temperature	-20°C - 60°C
Operating temperature	-10°C - 50°C

FAQ :

Q 1: Have set loop recording, but only randomly records for seconds with a long gap in between, then stops and re-start the recording.

A: Have set loop recording, but only randomly records for seconds with a long gap in between, then stops and re-start the recording.

Q 2 : The SD card gets full and it doesn't overwrite?

A: Please check whether all video files are locked(if locked, there will be a "key" icon at the top left on the screen when you replay the files). Those locked files cannot be overwritten by loop recording while needed to be delete manually, please format micro SD card and adjust sensitivity of G-sensor.

Q 3 : Can it take pictures and can you replay the recorded videos on it?

A: Yes, it can take pictures as it has got camera mode. Please long press MENU button to switch around modes of video--camera-- file playback . The video from the front camera can be replayed directly from the dash cam or PC.

Q 4: Why I can't see records of the inside camera when I playback through the camera?

A: What was recorded by the inside camera can only be reviewed through PC. Therefore, please connect the camera to the PC by the attached USB cable or just remove the memory card and read it on PC to review the footage.

Q 5: If I see an accident which I'm not part of but it's been captured by the camera, how can I save that recording? What button would I press?

A: If so, you need to manually lock the video to protect it from overwriting, there are 2 ways: (1) Please long press the MENU button to lock the current recording video, you will see a "key" icon appear on the screen; (2) Or stop the car, but still let the car start(to power the dash cam), and then playback the video, find the related video, press MENU button to protect it.

Q 6: How does the inside camera run?

A: The inside view will automatically show on the screen with power on. In standby mode or video recording modes, press ◀ button to switch front and inside display views.

Q 7: The internal battery, despite receiving a one-night charge, barely lasts a few minutes? /Without external power supply, the camera only lasts very short time, or just can't turn on?

A: The built-in battery is only to save files urgently in case

of sudden power off. The dash cam is powered by the car. The car camera will automatically switch on/off when the car engine ignition is on/off. No need to charge the dash cam or worry about the battery level. It is not designed to work without external power supply, so please keeps the camera connecting to car's cigarette lighter socket, while you starts the car, your car is supplying power to the dash cam, the dash cam will turns on and record video. However, once the car turns off, the dash cam will turn off and stop recording as well. If you don't want to connect the cigarette lighter, you can also hard wire the camera to the car's fuse box. Please purchase a "dash cam hard wire kit"(mini USB type) separately.

Q 8: The parking monitor does not work?

A: All dash cams on the market are powered by the car. After the dash cam is plugging in the car cigarette lighter socket, while starting the car, the car will supply power to the dash cam, the dash cam will turn on and record the video. However, once the car shuts down, the dash cam shuts down and also stops recording. Therefore, it does not react to movements and impacts after the engine is switched off. Therefore, if you want to activate the dash cam to monitor your car after the car shuts down during overnight parking, the dash cam needs to be wired to the car's fuse box. Please purchase a "dash cam hard wire kit" (mini USB type) separately.

Q 9: Suction mount cannot attach on windshield well ?

A: 1. Please clean the windscreen where attaching with a glass cleaning wipe. Removed the protective film, If it does not work, warming your windscreen then try it again.

2. Please soak suction mount to warm water for a moment.

Q 10: The dash cam will stop automatically while recording?

A: 1. Check whether the memory is full.

2. Check whether the loop recording function is turned ON.

3. Check whether the Micro SD card is high-speed above C10.

4. Check the memory card, there might be too many locked video that the loop recording won't work right.

5. Check the car charger connection status, if the connection is loose, the power supply is not stable, the power supply is not stable, the camera will automatically turn off.

6. Check whether it is just because of the Screen Saver on.

Q 11: The camera keeps starting and off?

A: That could be the parking monitor function being triggered, check the setup menu.

Q 12 : There are stripes interference in the image?

A: That should be wrong light frequency. According to the local regulation, choose the appropriate frequency settings 50HZ or 60HZ.

Deutsche



Warme Tipps:

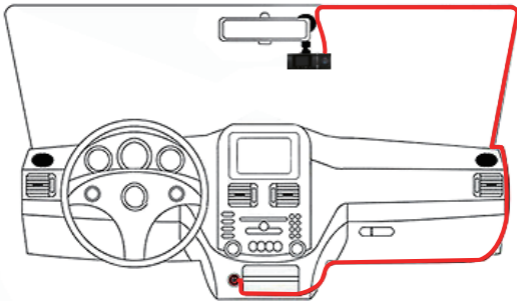
- Bitte formatieren Sie bei der ersten Verwendung mit dem Kameramenü die Speicherkarte.
- Diese Kamera zeichnet Videos mit hoher Auflösung auf. Verwenden Sie unbedingt eine Hochgeschwindigkeits-Micro-SD-Karte (Klasse 10 oder höher, max. Unterstützt 64 GB). Verwenden Sie bitte aus Sicherheitsgründen nur den eingebauten Akku für Notfall-Backup-Dateien.
- Schließen Sie bitte Dash Cam an die Zigarettenanzünderbuchse des Autos oder an den Sicherungskasten des Autos an.
- Das Video von der Frontkamera kann direkt von der Dash Cam oder dem PC aus überprüft werden. Was jedoch von der Innenkamera aufgenommen wurde, kann nur über den PC überprüft werden. Schließen Sie daher die Kamera über das angeschlossene USB-Kabel an den PC an oder entfernen Sie einfach die Speicherkarte und lesen Sie sie auf dem PC, um das Filmmaterial zu überprüfen.

Schnittstelle und Tastenfunktion



Tastenfunktion

Power	<ul style="list-style-type: none"> ● Drücken Sie lange, um die Kamera ein- und auszuschalten. ● Drücken Sie, um den Bildschirm ein- oder auszuschalten.
OK	<ul style="list-style-type: none"> ● Drücken Sie im Videomodus, um die Videoaufzeichnung zu starten / zu stoppen. ● Drücken Sie im Kameramodus, um ein Foto aufzunehmen. ● Drücken Sie in der Menüeinstellung, um die Auswahl und Einstellung zu bestätigen. ● Drücken Sie im Wiedergabemodus, um aufgezeichnete Dateien auszuwählen und abzuspielen.
 (LEFT)	<ul style="list-style-type: none"> ● Drücken Sie in der Menüeinstellung, um die Option auszuwählen. ● Drücken Sie im Standby-Modus oder im Videoaufzeichnungsmodus, um die Vorder- und Innenansicht der Anzeige zu wechseln. ● Drücken Sie im Wiedergabemodus, um Mediendateien auszuwählen. ● Drücken Sie lange, um das LED-Licht für die Innenkamera ein- und auszuschalten.
MENÜ	<ul style="list-style-type: none"> ● Drücken Sie im Standby-Modus, um auf die Menü Einstellungen zuzugreifen, und zweimal, um auf das Systemeinstellungsmenü zuzugreifen. ● Funktion Zurückkehren: Drücken Sie, um zur vorherigen Seite zurückzukehren. ● Drücken Sie im Standby-Modus lange, um zwischen Video / Foto / Wiedergabe zu wechseln. ● Drücken Sie während der Videoaufnahme lange, um das aktuelle Filmmaterial zu sperren / zu entsperren.
 (RIGHT)	<ul style="list-style-type: none"> ● Drücken Sie in der Menüeinstellung, um die Option auszuwählen. ● Drücken Sie im Wiedergabemodus, um Mediendateien auszuwählen. ● Drücken Sie während der Videoaufnahme, um die Audioaufnahme ein- und auszuschalten, während Sie lange drücken, um die Parküberwachungsfunktion ein- und auszuschalten.



Einrichtung und Installation:

1. Überprüfen Sie vor der Installation die normale Funktion der Kamera, stellen Sie sicher, dass Sie eine Hochgeschwindigkeits-Micro-SD-Karte (Geschwindigkeitsklasse 10 oder höher) verwenden, und formatieren Sie mit dem Kameramenü die Karte bei der ersten Verwendung.
2. Verwenden Sie die Saugnapfhalterung, um die Dash Cam an der Windschutzscheibe anzubringen. Die empfohlene Position befindet sich in der Nähe des nach vorne gerichteten Innen spiegels. Passen Sie den Objektivwinkel an, um eine optimale Abdeckung zu erzielen.
3. Stellen Sie den Objektivwinkel der Kamera ein und stellen Sie sicher, dass Sie die Motorhaube und die Straße vor Ihnen optimal abdecken, damit Sie aufzeichnen können, was passiert.
4. Schließen Sie die Kamera am Zigarettenanzünder an das Auto an und verstecken Sie den Rest des Kabels im Spalt der Innenverkleidung.

Betriebsarten:

Die Dash Cam arbeitet in drei Modi: Videoaufzeichnungsmodus, Fotomodus und Wiedergabemodus. In diesen Modi gibt es auch ein Menü, mit dem Sie die Aufnahme und das Fotografieren konfigurieren können. Drücken Sie lange die Menü Knopf, um zwischen verschiedenen Modi zu wechseln und auf den gewünschten Modus zuzugreifen. Das dargestellte Symbol für jeden Modus wird in der oberen linken Ecke des Bildschirms angezeigt.

Videoaufzeichnungsmodus:

Die Kamera wechselt automatisch in den Videoaufzeichnungsmodus und startet die Aufnahme, wenn sie an ein Autoladegerät angeschlossen und eingeschaltet wird. Ein roter Punkt in der oberen linken Ecke zeigt an, dass die Aufnahme läuft. Drücken Sie OK, um die Aufnahme zu beenden oder die Aufnahme erneut zu starten. Im Folgenden finden Sie Symboldarstellungen einiger allgemeiner Funktionen auf dem Bildschirm, die darauf hinweisen, dass diese Funktionen aktiviert sind. (Sie können ihre Darstellungen auch über das Menü entsprechend finden).

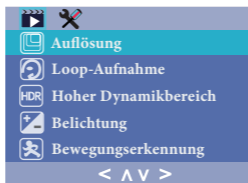


- | | |
|----------------------------|--------------------------|
| 1. Videoaufzeichnungsmodus | 8. Auflösung |
| 2. Loop Aufnahme | 9. Parkwächter |
| 3. Belichtungskorrektur | 10. LED-Lichtstatus |
| 4. Bewegung Detect | 11. Speicherkartenstatus |
| 5. Hoher Dynamikbereich | 12. Power Status |
| 6. Schwerkraft-Sensor | 13. Audio Status |
| 7. Aufnahmezeit | 14. Zeit & Datum |

In allen 3 Betriebsarten können Sie die Menü Knopf einmal drücken, um auf die Menüeinstellungen für diesen bestimmten Modus zuzugreifen, und zweimal drücken, um das Systemeinstellungsmenü anzuzeigen. Das Systemeinstellungsmenü ist allen Modi gemeinsam.

Drücken Sie ◀ und ▶ blättern Sie durch die verschiedenen Einstellungsoptionen, und drücken Sie OK, um die Auswahl auszuwählen und zu bestätigen. Drücken Sie Menü Knopf noch mal, um das Einstellungsmenü zu verlassen.

Videoaufzeichnungsmenü:



Auflösung: Passen Sie die Videoauflösung für die Aufnahme der Frontkamera 1080FHD / 720P / VGA an. Die Innenkamera hält die Aufnahme weiterhin bei 1080P.

Loop-Aufnahme: Nehmen Sie kontinuierlich kleine Videodateien mit einer Länge auf, die durch die Einstellungen von 1/ 2/3 Minuten bestimmt wird. Wenn die Einstellung beispielsweise auf 3 Minuten eingestellt ist, speichert die Kamera automatisch alle 3 Minuten einen Abschnitt mit Videos. Wenn der Speicher voll ist, löscht die Dash Cam automatisch das älteste Video, um das neueste Video aufzunehmen. Dadurch kann ein Speichermangel vermieden werden.

Hoher Dynamikbereich: Aktivieren Sie diese Option, um die Videoqualität mit einem größeren Lichtbereich und Bilddetails zu optimieren.

Belichtungskorrektur: Passen Sie den Belichtungswert an, um die Helligkeit des Videos anzupassen.

Bewegung Detect: Schalten Sie die Bewegungserkennungsfunktion On / Off.



Aufnahme: Schalten Sie die Audioaufnahme im Video On / Off.

Datumsanzeige: Aktivieren / Deaktivieren der Datums- und Zeitmarkierungen in Videodateien.

Schwerkraft-Sensor: Der Schwerkraft-Sensor erkennt signifikante oder plötzliche Stöße und Bewegungen und sperrt dann automatisch die aktuelle Datei aus der Schleifenaufzeichnung. Die Empfindlichkeit ist einstellbar (Off / Gering / Mittel / Hoch).

Parkwächter: Er dient zum Schutz Ihres Autos nach dem Parken. Wenn diese Funktion aktiviert ist, bleibt die Kamera nach dem Anhalten und Ausschalten der Kamera im Standby-Modus. Wenn die Kamera Stöße und Kollisionen erkennt, wird sie automatisch eingeschaltet und nimmt ein kurzes Video auf. Anschließend wird sie automatisch heruntergefahren.

Hinweis: Um diese Funktion Parkwächter zu nutzen, kaufen Sie bitte ein Kabel-Kit (Mini-USB) für Dash Cam und schließen Sie es an den Sicherungskasten des Fahrzeugs an, um die Kamera mit Strom zu versorgen.

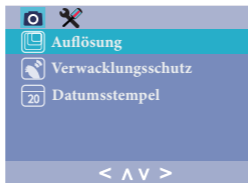
Fotoaufnahmemodus:

Die Kamera kann im Fotoaufnahmemodus betrieben werden.

Ein Foto machen:

Drücken Sie im Standby-Modus lange auf Menü Knopf, um in den Fotomodus zu wechseln, und drücken Sie OK, um ein Foto aufzunehmen. Wie im Videoaufzeichnungsmodus können Sie die Menü Knopf einmal drücken, um auf das Einstellungs-menü für den Fotomodus zuzugreifen. Drücken Sie zweimal auf Menü Knopf, um das Systemeinstellungsmenü aufzurufen.

Fotomodus-Menü:



Auflösung: Stellen Sie die Fotoauflösung ein.
VGA / 1M / 2M / 3M / 5M / 8M / 10M zur Auswahl.

Anti-Shaking: Aktivieren / Deaktivieren der Bildstabilisierungsfunktion.

Datumsanzeige: Aktivieren / Deaktivieren Sie das in Bilddateien markierte Datum und die Uhrzeit.

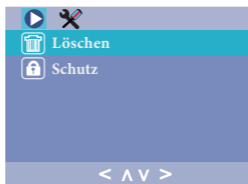
Wiedergabemodus:

In diesem Modus können Sie aufgezeichnete Videos wiedergeben oder Fotos anzeigen

1. Beenden Sie die Videoaufnahme und drücken Sie zweimal die Menü Knopf, um den Wiedergabemodus aufzurufen.
2. Verwenden Sie die Taste ◀ und ▶, um durch die aufgenommenen Dateien / Fotos zu blättern, und drücken Sie OK, um das aufgenommene Video anzuzeigen.

Wiedergabemenü:

Drücken Sie nach Auswahl eines aufgenommenen Videos oder Fotos einmal die Menü Knopf, um auf das Einstellungs-menü für den Wiedergabemodus zuzugreifen.



Löschen: Löscht die aktuell angezeigte Datei oder löscht alle Dateien.

Schutz: Sperren / Entsperren der aktuell angezeigten Datei oder Sperren / Entsperren aller Dateien.

Systemeinstellungsmenü:

Drücken Sie zweimal die Menü Knopf, um in einem beliebigen Modus auf das Systemeinstellungsmenü zuzugreifen. Das TOOL-Symbol wird in der oberen linken Ecke hervorgehoben.



Bildschirmschoner: Stellen Sie das Timing so ein, dass das LCD-Display nach keiner Bedienung automatisch ausgeschaltet wird, damit das Produkt bei sehr geringem Stromverbrauch funktioniert. In der Einstellung gibt es "Aus, 30s, 1 Min, 2 Min". Wenn beispielsweise "30s" eingestellt ist, wird der Bildschirm nach 30 Sekunden ausgeschaltet, aber die Kamera funktioniert noch (Aufnahme). Wenn Sie den Bildschirm einschalten möchten, können Sie irgendeine Taste drücken, um den Bildschirm zu aktivieren.

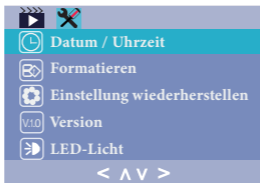
Automatisches Ausschalten: Stellen Sie die Zeit ein, zu der sich die Kamera automatisch ausschaltet, um Strom zu sparen. Die Kamera schaltet sich automatisch aus, wenn sie sich während der Einstellzeit im Standby-Modus befindet. Aus / 1 Minute / 3 Minuten / 5 Minuten

Frequenz: Stellen Sie die Frequenz gemäß den örtlichen Vorschriften auf 50 Hz oder 60 Hz ein.

Schlüsselton: Schalten Sie den Ton des Schlüssels ein oder aus.

Sprache:

Wählen Sie die Sprache des Kamerasystems:
Chinesisch / Englisch / Französisch / Deutsch / Italienisch / Spanisch / Japanisch.



Datum / Uhrzeit: Stellen Sie Uhrzeit und Datum mit den Tasten LINKS und RECHTS ein. Drücken Sie dann OK Knopf, um die Änderungen zu bestätigen. Drücken Sie erneut die Menü Knopf, um die Zeiteinstellung zu beenden.

Formatieren: Formatieren / Löschen aller Daten von der Micro SD-Karte.

Einstellung wiederherstellen: Setzen Sie alle Einstellungen auf die Werkseinstellungen zurück.

Version: Überprüfen Sie die Firmware-Version.

Aufhelleuchte: Richten Sie den Arbeitsmodus der IR-LED-Lampe für die Innenkamera ein, On / Off oder Auto. Im Auto-Modus leuchtet die IR-LED, wenn das Licht im Auto zu dunkel ist.

Specification

Modell	J05
Video Auflösung	1080FHD / 720P / VGA
Fotoauflösung	VGA / 1M / 2M / 3M / 5M / 8M / 10M
Bildschirm	1,5 Zoll LCD-Display
Winkel	170 ° hochauflösendes Weitwinkelobjektiv
Video Auflösung	Vorderseite: 1920 * 1080P (am höchsten), Innenseite: 1920 * 1080P
Bildrahmengeschwindigkeit	30fps
Effektive Bildpunkte	2MP
Videocodierungsformat	H.264, MOV
Fotoformat	JPEG
Bildschirmschoner	Unterstützt
Loop-Aufnahme	Aus / 1 Minute / 2 Minuten / 3 Minuten
Hoher Dynamikbereich	Unterstützt
Schwerkraft-Sensor	Unterstützt
IR LED Lampen	4 Stück
Sprache	Chinesisch / Englisch / Französisch / Deutsch / Italienisch / Spanisch / Japanisch
Audio Aufnahme	Eingebautes Mikrofon, On / Off optional
Speichern	Micro SD-Karte (Klasse 10, bis zu 64 GB)
USB-Anschlüsse.	Mini USB
Externe Stromversorgung	DC 5V / 0,8A
Frequenz	50 Hz / 60 Hz
Batterie	200mAh Polymer Lithium Batterie
Lagertemperatur	-20°C – 60°C
Betriebstemperatur	-10°C – 50°C

FAQ

F: Ich habe die Loop-Aufnahme eingestellt, nimmt aber nur zufällig für Sekunden mit einer langen Lücke dazwischen auf. Die Kamera stoppt dann die Aufnahme und startet sie erneut.

A: Wir empfehlen, die Bewegungserkennungsfunktionen während der Fahrt nicht einzuschalten. Diese Funktion kann dazu führen, dass die Aufnahme unterbrochen wird.

F: Die SD-Karte wird voll und überschreibt nicht?

A: Bitte überprüfen Sie, ob alle Videodateien gesperrt sind (falls gesperrt, wird oben links auf dem Bildschirm ein "Schlüsselsymbol" angezeigt, wenn Sie die Dateien wiedergeben). Diese gesperrten Dateien können nicht durch Schleifenaufzeichnung überschrieben werden, während sie manuell gelöscht werden müssen. Bitte formatieren Sie die Micro-SD-Karte und stellen Sie die Empfindlichkeit des Schwerkraft-Sensor ein.

F: Nimmt es Bilder auf und können Sie die aufgezeichneten Videos darauf wiedergeben?

A: Ja, es kann Bilder aufnehmen, da es über einen Kameramodus verfügt. Bitte drücken Sie lange die Menü Knopf, um zwischen den Modi für die Wiedergabe von Videokameras zu wechseln. Das Video von der Frontkamera kann direkt von der Dash Cam oder dem PC wiedergegeben werden.

F: Warum kann ich bei der Wiedergabe über die Kamera keine Aufzeichnungen der Innenkamera sehen?

A: Was von der Innenkamera aufgenommen wurde, kann nur über den PC überprüft werden. Schließen Sie daher die Kamera über das angeschlossene USB-Kabel an den PC an oder entfernen Sie einfach die Speicherkarte und lesen Sie sie auf dem PC, um das Filmmaterial zu überprüfen.

F: Wenn ich einen Unfall sehe, an dem ich nicht beteiligt bin, der jedoch von der Kamera erfasst wurde, wie kann ich diese Aufnahme speichern? Welchen Taste soll ich drücken?

A: Wenn dies der Fall ist, müssen Sie das Video manuell sperren, um es vor Überschreiben zu schützen. Es gibt zwei Möglichkeiten: (1) Drücken Sie bitte lange die Menü Knopf, um das aktuelle Aufnahmevideo zu sperren. Auf dem wird ein "Schlüsselsymbol" angezeigt Bildschirm; (2) Oder halten Sie das Auto an, lassen Sie das Auto aber trotzdem starten (um die Dash Cam mit Strom zu versorgen) und spielen Sie dann das Video ab, suchen Sie das entsprechende Video und drücken Sie die Menü Knopf, um es zu schützen.

F: Wie läuft die Innenkamera?

A: Die Innenansicht wird bei eingeschaltetem Gerät automatisch auf dem Bildschirm angezeigt. Drücken Sie im Standby-Modus oder im Videoaufnahmemodus die ◀ Knopf , um die Vorder- und Innenansicht des Displays zu wechseln.

F: Der interne Akku hält trotz einer Ladung von einer Nacht kaum ein paar Minuten?/ Ohne externe Stromv-

ersorgung hält die Kamera nur sehr kurze Zeit oder kann einfach nicht eingeschaltet werden?

A: Der eingebaute Akku dient nur zum dringenden Speichern von Dateien bei plötzlichem Ausschalten. Die Dash Cam wird vom Auto angetrieben. Die Autokamera schaltet sich automatisch On / Off, wenn die Zündung des Automotors ein- oder ausgeschaltet ist. Sie müssen die Dash Cam nicht aufladen oder sich keine Gedanken über den Akkuladestand machen. Es ist nicht für die Arbeit ohne externe Stromversorgung ausgelegt. Bitte lassen Sie die Kamera an der Zigarettenanzünderbuchse des Autos angeschlossen. Während Sie das Auto starten, versorgt Ihr Auto die Dash Cam mit Strom. Die Dash Cam schaltet sich ein und zeichnet Videos auf. Sobald sich das Auto ausschaltet, schaltet sich die Dash Cam aus und stoppt ebenfalls die Aufnahme. Wenn Sie den Zigarettenanzünder nicht anschließen möchten, können Sie die Kamera auch fest mit dem Sicherungskasten des Autos verbinden. Bitte kaufen Sie ein "Dash Cam Hard Wire Kit" (Mini-USB-Typ) separat.

F: Wie läuft die Innenkamera?

A: Alle Dash Cams auf dem Markt werden vom Auto angetrieben. Nachdem die Dash Cam die Zigarettenanzünderbuchse des Autos eingesteckt hat, versorgt das Auto beim Starten des Autos die Dash Cam mit Strom, die Dash Cam schaltet sich ein und zeichnet das Video auf. Sobald sich das Auto jedoch abschaltet, schaltet sich die Dash Cam aus und stoppt auch die Aufnahme. Daher reagiert es nach dem Abstellen des Motors nicht auf Bewegungen und Stöße.

Wenn Sie die Dash Cam aktivieren möchten, um Ihr Auto zu überwachen, nachdem das Auto während des Parkens über Nacht heruntergefahren wurde, muss die Dash Cam mit dem Sicherungskasten des Fahrzeugs verbunden werden. Bitte kaufen Sie ein "Dash Cam Hard Wire Kit" (Mini-USB-Typ) separat.

F: Die Saughalterung kann nicht gut an der Windschutzscheibe befestigt werden.

A: 1. Bitte reinigen Sie die Windschutzscheibe an der Stelle mit einem Glasreinigungstuch. Entfernen Sie die Schutzfolie. Wenn dies nicht funktioniert, erwärmen Sie die Windschutzscheibe und versuchen Sie es erneut.

2. Bitte tauchen Sie die Saughalterung für einen Moment in warmes

F: Die Dash Cam stoppt automatisch während der Aufnahme.

A: 1. Überprüfen Sie, ob der Speicher voll ist.

2. Überprüfen Sie, ob die Loop-Aufnahmefunktion eingeschaltet ist.

3. Überprüfen Sie, ob die Micro-SD-Karte über C10 eine hohe Geschwindigkeit aufweist.

4. Überprüfen Sie die Speicherkarte. Möglicherweise sind zu viele Videos gesperrt, als dass die Loop-Aufnahme nicht richtig funktioniert.

5. Überprüfen Sie den Verbindungsstatus des Autoladegeräts. Wenn die Verbindung locker ist, die Stromversorgung nicht stabil ist, die Stromversorgung nicht stabil ist, schaltet sich die Kamera automatisch aus.

6.Überprüfen Sie, ob dies nur am eingeschalteten Bildschirmschoner liegt.

F: Die Kamera startet und schaltet weiter?

A: Dies könnte die ausgelöste Parküberwachungsfunktion sein. Überprüfen Sie das Setup-Menü.

F: Es gibt Streifenstörungen im Bild?

A: Das sollte eine falsche Frequenz sein.Wählen Sie gemäß der örtlichen Vorschrift die entsprechenden Frequenzeinstellungen 50 Hz oder 60 Hz.

Keine positive Erfahrung?

Wenn innerhalb von 12 Monaten nach dem Kaufdatum Probleme mit unseren Dash Cams auftreten, teilen Sie uns dies bitte mit. Wir werden Ihnen innerhalb von 24 Stunden antworten und Ihnen eine perfekte Lösung anbieten.

Français



Attention :

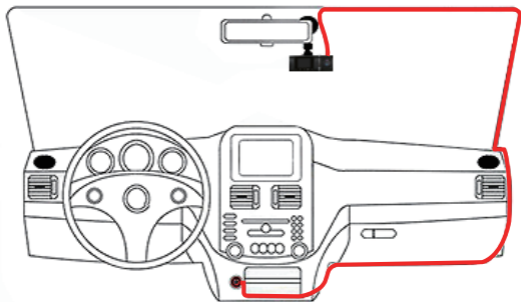
- Veuillez formater la carte mémoire dans le menu de la caméra embarqué lors de la première utilisation.
- Cette caméra enregistre la vidéo en haute résolution. Assurez-vous d'utiliser une carte Micro SD haute vitesse (classe 10 ou supérieure, prend en charge 64 Go maximum.) Pour des raisons de sécurité, la batterie intégrée n'est utilisée que pour les fichiers de sauvegarde de secours.
- Pour faire fonctionner, la caméra embarquée doit être connectée à la prise allume-cigare du véhicule ou câblée à la boîte à fusibles de la voiture.
- La vidéo issue de la caméra frontale peut être directement consultée à partir de la caméra de tableau ou du PC, mais celle qui a été enregistrée par la caméra intérieure ne peut être consultée qu'à l'aide d'un PC. Par conséquent, veuillez connecter la caméra au PC à l'aide d'un câble USB fourni ou retirer simplement la carte mémoire et lisez-la sur PC pour visualiser les images.

Interface et fonction des boutons



Fonction de Boutons

Puissance	<ul style="list-style-type: none"> ● Appui long pour allumer/éteindre la caméra. ● Appuyez pour allumer/éteindre l'écran
OK	<ul style="list-style-type: none"> ● En mode vidéo, appuyez pour démarrer/arrêter l'enregistrement vidéo ● En mode caméra, appuyez pour prendre une photo. ● Dans le menu paramètres, appuyez pour confirmer la sélection et le réglage. ● En mode de lecture, appuyez pour sélectionner et lire les fichiers enregistrés.
 (GAUCHE)	<ul style="list-style-type: none"> ● Dans le menu paramètres, appuyez sur pour sélectionner l'option. ● En mode veille ou en mode d'enregistrement vidéo, appuyez pour commuter entre les vues d'affichage frontales et intérieures. ● En mode de lecture, appuyez pour sélectionner les fichiers multimédias. ● Appui long pour allumer/éteindre le voyant LED de la caméra intérieure.
MENU	<ul style="list-style-type: none"> ● En mode veille, appuyez sur pour accéder au menu paramètres, et appuyez deux fois pour accéder au Menu de Réglage du Système. ● Fonction de Retour : Appuyez sur ce bouton pour revenir à la page précédente. ● En mode veille, appuyez longuement pour basculer entre le mode Vidéo/Photo/Lecture. ● Pendant l'enregistrement vidéo, appuyez longuement pour verrouiller/déverrouiller l'image actuelle.
 (DROITE)	<ul style="list-style-type: none"> ● Dans le menu paramètres, appuyez sur pour sélectionner l'option. ● En mode de lecture, appuyez pour sélectionner les fichiers multimédias. ● Pendant l'enregistrement vidéo, appuyez pour démarrer/arrêter l'enregistrement audio tandis que l'appui long pour activer/désactiver la fonction de surveillance de stationnement.



Configuration et Montage:

1. Avant le montage, veuillez vérifier le fonctionnement normal de la caméra et assurez-vous que vous utilisez une carte Micro SD haute vitesse (classe de vitesse 10 ou supérieure), et formatez la carte dans le menu de la caméra lors de la première utilisation.
2. Installer la caméra embarquée sur le pare-brise à l'aide d'un dispositif de support à ventouse. L'emplacement recommandé est à proximité du rétroviseur intérieur face à l'avant, réglez l'angle de vue pour la meilleure couverture.
3. Ajustez l'angle de l'objectif de la caméra, assurez-vous d'obtenir la meilleure couverture sur le capot et la route devant vous, de sorte que vous puissiez enregistrer ce qui se passe.
4. Connectez la caméra à la voiture via l'allume-cigare, cachez le reste du câble dans l'espace de la plaque garniture intérieure.

Modes de fonctionnement :

La caméra embarquée voiture fonctionne en 3 modes : Mode d'enregistrement vidéo, Mode photo et Mode de lecture. Ces modes disposent également du menu pour vous aider à configurer l'enregistrement et à prendre des photos. Appuyez longuement sur le bouton menu pour basculer entre les différents modes et accéder au mode souhaité. L'icône représentée pour chaque mode s'affiche dans le coin supérieur gauche de l'écran.

Mode d'enregistrement vidéo :

La caméra entrera automatiquement en mode d'enregistrement vidéo et commencera l'enregistrement lorsqu'elle est connectée à un chargeur de voiture et allumée. Un point rouge clignotant dans le coin supérieur gauche indique que l'enregistrement est en cours. Appuyez sur OK pour arrêter l'enregistrement, ou recommencer l'enregistrement. Voici des icônes représentatives de certaines fonctions courantes sur l'écran, signifiant que ces fonctions sont activées. (Par conséquent, vous pouvez également trouver leurs représentations grâce au menu).

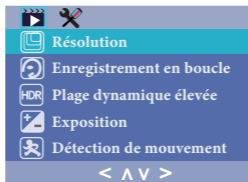


- | | |
|--------------------------------|----------------------------------|
| 1. Mode d'enregistrement vidéo | 8. Résolution |
| 2. Enregistrement en boucle | 9. Surveillance de stationnement |
| 3. Exposition | 10. Etat de la lumière LED |
| 4. Détection de mouvement | 11. Etat de la carte mémoire |
| 5. HDR | 12. Etat d'alimentation |
| 6. Capteur G | 13. Etat audio |
| 7. Durée d'enregistrement | 14. Heure & date |

En tous ces 3 modes de fonctionnement, vous pouvez appuyer une seule fois sur le bouton MENU pour accéder au menu paramètres pour ce mode particulier, et appuyer deux fois pour afficher le Menu de Réglage du Système. Le Menu de Réglage du Système est commun à tous les modes.

Appuyez sur ◀ et ▶ faites défiler les différentes options de réglage et appuyez sur OK pour sélectionner et confirmer la sélection, appuyez à nouveau sur MENU pour quitter le menu de réglage.

Menu d'enregistrement vidéo :



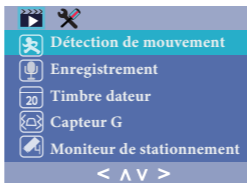
Résolution : Ajustez la résolution vidéo d'enregistrement de la caméra frontale 1080FHD / 720P / VGA, la caméra intérieure continuera un enregistrement à 1080P.

Enregistrement en boucle : Enregistrer sans discontinu de petits fichiers vidéo d'une durée déterminée selon les paramètres de 1/2/3 minutes. Par exemple, s'il est défini sur 3 minutes, la caméra enregistrera automatiquement une section de vidéos toutes les 3 minutes. Lorsque la mémoire est pleine, la caméra embarquée voiture supprimera automatiquement la vidéo la plus ancienne pour enregistrer la dernière vidéo, cela permet d'éviter un manque de mémoire.

Plage dynamique élevée : Activer cette fonction pour optimiser la qualité vidéo avec une plage de lumière et des détails d'image plus larges.

Exposition : Ajuster la valeur d'exposition pour régler la luminosité de la vidéo.

Détection de mouvement : Activer / Désactiver la fonction de détection de mouvement.



Enregistrement : Démarrer / Arrêter l'enregistrement audio dans la vidéo.

Timbre dateur : Activer / Désactiver les marques de date et d'heure dans les fichiers vidéo.

Capteur G : le capteur G détecte les chocs et les mouvements importants ou brusques, puis verrouille automatiquement le fichier actuel à partir de l'enregistrement en boucle. Sa sensibilité est réglable (Eteint/Faible/Moyen/Elevé)

Moniteur de stationnement : il est utilisé pour protéger votre voiture après le stationnement. Après que vous stationnez la voiture et la caméra embarquée s'est éteinte, il reste en veille lorsque cette fonction est activée. Lorsque la caméra embarquée détecte un choc et une collision, elle s'allumera automatiquement et filme une courte vidéo, puis s'éteint automatiquement. **Nota : Pour profiter de cette fonction lorsque la voiture est garée, veuillez acheter un kit de câblage (type mini USB) pour la caméra embarquée et connectez-le ensuite à la boîte à fusibles du véhicule afin d'alimenter la caméra embarquée voiture.**

Mode Photo :

La caméra embarquée voiture peut fonctionner en mode prise photos.

Pour prendre une photo :

En mode veille, appuyez longuement sur MENU pour passer en Mode Photo et appuyez sur OK pour filmer une photo. Comme pour le mode d'enregistrement vidéo, vous pouvez appuyer une fois sur le bouton Menu pour accéder au menu de réglage du mode photo, appuyez deux fois sur Menu pour accéder au menu de réglage du système.

Menu du Mode Photo :



Résolution : définissez la résolution de la photo.
VGA/1M/2M/3M/5M/8M/10M en option.

Anti-tremblement : Activer / Désactiver la fonction de stabilisation d'image.

Timbre dateur : activer / désactiver la date et l'heure marquées dans les fichiers image.

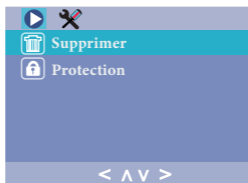
Mode de lecture :

Ce mode vous permet de lire une vidéo enregistrée ou de visualiser des photos

1. Arrêtez l'enregistrement vidéo, appuyez longuement sur le bouton MENU deux fois pour accéder au mode de lecture.
2. Faire défiler les fichiers/photos enregistrés à l'aide des boutons ◀ et ▶ , puis appuyez sur OK pour afficher la vidéo enregistrée.

Menu de lecture :

Après avoir sélectionné une vidéo ou une photo enregistrée, appuyez une seule fois sur le bouton Menu pour accéder au menu paramètres pour mode lecture.

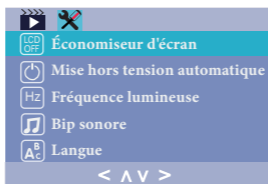


Supprimer : Suppression du fichier actuellement affiché ou supprimer tous les fichiers.

Protection : Verrouiller/Déverrouiller le fichier actuellement affiché ou verrouiller/déverrouiller tous les fichiers.

Menu de Réglage du Système :

Appuyez deux fois sur le bouton MENU pour accéder au menu de réglage du système dans n'importe quel mode. L'icône OUTIL est mise en surbrillance dans le coin supérieur gauche.



Économiseur d'écran : Réglez la synchronisation pour éteindre automatiquement l'écran LCD au bout d'un certain délai de non-utilisation de sorte que le produit fonctionne avec une très faible consommation d'énergie ; On peut le régler en "Off, 30s, 1 Min, 2 Min" dans ces paramètres. Par exemple, s'il est réglé sur "30 s", l'écran s'éteindra après 30 secondes, mais la caméra embarquée fonctionne toujours (enregistrement). Lorsque vous souhaitez allumer l'écran, vous pouvez appuyer sur un bouton quelconque pour activer l'écran.

Mise hors tension automatique : Définissez l'heure à laquelle la caméra embarquée s'éteint automatiquement pour économiser l'énergie. La caméra embarquée s'éteindra automatiquement lorsqu'elle est en veille en fonction de l'heure définie. Arrêt/1 minute/3 minutes/5 minutes

Fréquence lumineuse : Réglez la fréquence lumineuse sur 50 Hz ou 60 Hz conformément à la réglementation locale.

Bip sonore : Activez / Désactivez le son émis lorsque vous appuyez sur n'importe quel bouton.

Langue :

Choisissez la langue système de la caméra embarquée voiture :

Chinois/Anglais/Français/Allemand/Italien/Espagnol/Japonais.



Date / Heure : Définissez l'heure et la date à l'aide des boutons GAUCHE et DROITE, puis appuyez sur OK pour confirmer les modifications, appuyez à nouveau sur le bouton MENU pour quitter la configuration temporelle.

Formater : Formater/supprimer toutes les données de la carte Micro SD.

Restaurer les paramètres : Réinitialiser tous les paramètres par défaut.

Version : Consulter la version du micrologiciel.

Lumière LED : Configurer le mode de fonctionnement de la lumière LED IR pour la caméra intérieure, soit Marche/ Arrêt ou Auto. En mode Auto, la LED IR s'allumera lorsque la lumière à l'intérieur de la voiture est trop sombre.

Specification

Modèle produit	J05
Résolution Vidéo	1080FHD/720P/VGA
Résolution Photo	VGA/1M/2M/3M/5M/8M/10M
Écran	Écran LCD de 1,5 pouces
Angle	Objectif grand angle de 170 ° à haute résolution
Résolution Vidéo	Frontal : 1920 * 1080P (le plus élevé), à l'intérieur : 1920 * 1080P
Fréquence d'image	30fps
Pixels Efficaces	2MP
Format de codage vidéo	H.264, MOV
Format Photo	JPEG
Economiseur d'écran	Pris en charge
Enregistrement en boucle	Arrêt/1 minute/2 minutes / 3 minutes
HDR	Pris en charge
Verrouillage du capteur G	Pris en charge
Voyant LED IR	4 pcs
Langue	Chinois/Anglais/Français/Allemand/ Italien/Espagnol/Japonais
Enregistrement Audio	Microphone intégré, Marche/Arrêt en option
Stockage :	Carte Micro SD (Classe 10, jusqu'à 64 Go)
Port USB	Mini USB
Alimentation externe	DC 5V / 0,8A
Fréquence lumineuse	50 Hz / 60 Hz
Batterie	Batterie au lithium polymère 200mAh
Température de stockage	-20°C - 60°C
Température de fonctionnement	-10°C - 50°C

FAQ :

Q: Ayant défini l'enregistrement en boucle, mais il n'enregistre que de manière aléatoire pour quelques secondes avec un long intervalle entre-temps, puis arrête et redémarre l'enregistrement.

R: Nous vous conseillons de ne pas activer les fonctions de détection de mouvement pendant la conduite, cette fonction est susceptible de causer un enregistrement intermittent.

Q: La carte SD est pleine mais n'est-elle pas écrasée ?

R: Veuillez vérifier si tous les fichiers vidéo sont verrouillés (en cas d'être verrouillés, s'affichera une icône «clé» en haut à gauche de l'écran lorsque vous relisez les fichiers). Ces fichiers verrouillés ne peuvent pas être écrasés au moyen de l'enregistrement en boucle alors qu'ils doivent être supprimés manuellement, veuillez formater la carte micro SD et régler la sensibilité du capteur G.

Q: Prend-elle des photos et pouvez-vous relire les vidéos y enregistrées ?

R: Oui, elle peut prendre des photos lors qu'elle est réglée en mode photo. Veuillez appuyer longuement sur le bouton MENU pour basculer entre les modes vidéo – –photo– – lecture de fichier. La vidéo provenant de la caméra frontale peut être rejouée directement grâce à la caméra embarquée ou au PC.

Q: Pourquoi ne puis-je pas voir les enregistrements de la caméra intérieure lors de la lecture via la caméra ?

R: Ce qui a été enregistré par la caméra intérieure ne peut être visualisé que via un PC. Par conséquent, veuillez connecter la caméra au PC à l'aide d'un câble USB fourni ou retirer simplement la carte mémoire et lisez-la sur PC pour visualiser les images.

Q: En cas où je vois un accident dont je ne fais pas partie mais qu'il a été capturé par la caméra, comment puis-je sauvegarder cet enregistrement ? Sur quel bouton pourrais-je appuyer ?

R: Si c'est le cas, vous devez verrouiller manuellement la vidéo pour la protéger de l'écrasement, il existe 2 façons: (1) Veuillez appuyer longuement sur le bouton MENU pour verrouiller la vidéo d'enregistrement en cours, vous verrez une icône "clé" apparaître sur l'écran; (2) Ou arrêtez la voiture, mais laissez toujours la voiture démarrer (pour alimenter la caméra embarquée voiture), puis lisez la vidéo, recherchez la vidéo intéressée et appuyez sur le bouton MENU pour la sauvegarder.

Q: Comment fonctionne la caméra intérieure ?

R: La vue intérieure s'affichera automatiquement sur l'écran lorsqu'il est mis sous tension. En mode veille ou en modes d'enregistrement vidéo, appuyez sur le ◀ bouton pour commuter entre les vues d'affichage frontales et intérieures.

Q: La batterie interne, malgré le chargement d'une nuit, dure à peine quelques minutes ?/Sans alimentation externe, la caméra embarquée ne durera que très peu de temps ou tout simplement, elle ne peut pas s'allumer ?

R: La batterie intégrée sert uniquement à enregistrer les fichiers de toute urgence en cas de mise hors tension soudaine. La caméra embarquée est alimentée par la voiture. La caméra embarquée voiture démarre/s'arrête automatiquement lorsque l'allumage du moteur de la voiture est activé/désactivé. C'est pas la peine de charger la caméra embarquée ou de s'inquiéter du niveau de la batterie. Elle n'est pas conçue pour fonctionner sans alimentation externe, veuillez donc maintenir la caméra connectée à la prise allume-cigare de la voiture, pendant que vous démarrez la voiture, votre voiture alimente la caméra embarquée, celle-ci va s'allumer et enregistrer la vidéo. Cependant, une fois que le moteur de la voiture s'éteint, la caméra embarquée se désactive et arrête l'enregistrement dans le même temps. Si vous ne souhaitez pas connecter l'allume-cigare, vous pouvez également connecter par câble la caméra à la boîte à fusibles de la voiture. Veuillez acheter séparément un «kit de câblage pour caméra embarquée voiture» (type mini USB).

Q: Le moniteur de stationnement ne fonctionne pas ?

R: Toutes les caméras embarquées sur le marché sont alimentées par la voiture. Une fois que la caméra embarquée est branchée dans la prise allume-cigare de la voiture, lors du démarrage de la voiture, elle alimentera la caméra embarquée, celle-ci s'allumera et enregistrera la vidéo. Cepe-

ndant, une fois le véhicule éteint, la caméra embarquée s'éteint et arrête également l'enregistrement. Par conséquent, il ne réagit pas aux mouvements et aux chocs après l'arrêt du moteur.

Ainsi, si vous souhaitez activer la caméra embarquée pour surveiller votre voiture après l'arrêt de la voiture durant le stationnement de nuit, la caméra embarquée doit être câblée à la boîte à fusibles de la voiture. Veuillez acheter séparément un «kit de câblage pour caméra embarquée voiture» (type mini USB).

Q: Le support à ventouse ne peut pas bien se fixer sur le pare-brise ?

R: 1. Veuillez nettoyer le pare-brise où elle est fixée à l'aide d'une lingette nettoyante de vitre. Si cela ne marche pas, enlevez le film protecteur, réchauffez votre pare-brise, puis réessayez.

2. Veuillez faire tremper le support à ventouse dans l'eau chaude pendant un moment.

Q: La caméra embarquée s'éteindra automatiquement pendant l'enregistrement ?

R: 1. Vérifiez si la mémoire est pleine.

2. Vérifiez si la fonction d'enregistrement en boucle est activée.

3. Vérifiez si la carte Micro SD est de C10 ou supérieure à haute vitesse.

4. Vérifiez la carte mémoire, il pourrait y avoir trop de vidéos verrouillées de sorte que l'enregistrement en boucle ne fonctionne pas correctement.

5.Vérifiez l'état de la connexion du chargeur voiture, si la connexion est branlante, l'alimentation ne sera pas stable, l'alimentation n'est pas stable, la caméra embarquée s'éteint automatiquement.

6.Vérifiez si c'est uniquement à cause de l'activation de l'économiseur d'écran.

Q: La caméra embarquée démarre et s'arrête constamment ?

R: Cela pourrait résulter du fait que fonction de surveillance de stationnement est déclenchée, vérifiez le menu de configuration.

Q: Il y a des bandes d'interférence dans l'image ?

R: Cela apparait à cause d'une fréquence lumineuse incorrecte.Conformément à la réglementation locale, choisissez les paramètres de fréquence appropriés, soit 50HZ ou 60HZ.

Ne pas vivre une expérience positive ?

S'il y a des problèmes avec nos caméras embarquées dans les 12 mois suivant la date d'acquisition, n'hésitez pas à nous contacter, nous nous sommes disposés à vous répondre dans un délai de 24 heures et vous proposons une solution parfaite.

Italiano

Suggerimenti raccomandati:

- Formattare la scheda di memoria nel menu della fotocamera al primo utilizzo.
- Questa fotocamera registra video ad alta risoluzione. Assicurati di utilizzare una scheda Micro SD ad alta velocità (Classe 10 o superiore, supporta al massimo 64 GB). Per motivi di sicurezza, la batteria integrata viene utilizzata solo per i file di backup di emergenza.
- Per funzionare, la dash cam deve essere collegata alla presa dell'accendisigari dell'auto o cablata alla scatola dei fusibili dell'auto.
- Il video della fotocamera anteriore può essere rivisto direttamente dalla dash cam o dal PC, ma ciò che è stato registrato dalla fotocamera interna può essere rivisto solo tramite PC. Pertanto, collegare la fotocamera al PC tramite il cavo USB in dotazione o rimuovere semplicemente la scheda di memoria e leggerla sul PC per rivedere il filmato.

Interfaccia e funzione dei pulsanti

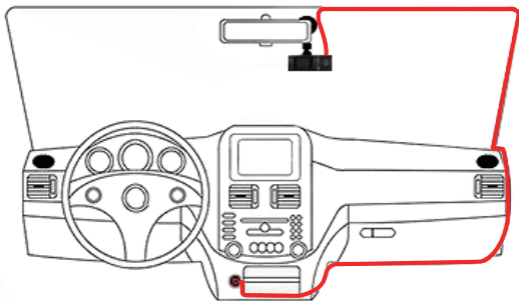


1. Fotocamera anteriore
2. Microfono
3. Schermo
4. Luci IR LED
5. Fotocamera interna
6. Mini porta USB
7. Supporto per il montaggio
8. Sinistra
9. Menu
10. destra
11. OK
12. Potenza
13. Foro di ripristino
14. Slot per scheda di memoria



Funzione pulsante

Potenza	<ul style="list-style-type: none">● Premere a lungo per accendere / spegnere la fotocamera.● Premere per accendere / spegnere lo schermo.
OK	<ul style="list-style-type: none">● In modalità video, premere per avviare / interrompere la registrazione del video● In modalità fotocamera, premere per scattare una foto.● Nell'impostazione del menu, premere per confermare la selezione e la regolazione.● In modalità riproduzione, premere per selezionare e riprodurre i file registrati.
◀ (SINISTRA)	<ul style="list-style-type: none">● Nell'impostazione del menu, premere per selezionare l'opzione.● In modalità standby o in modalità di registrazione video, premere per passare alla visualizzazione anteriore e interna del display.● In modalità di riproduzione, premere per selezionare i file multimediali.● Premere a lungo per accendere / spegnere la luce LED per la fotocamera interna.
MENÙ	<ul style="list-style-type: none">● In modalità standby, premere per accedere alle impostazioni del menu e premere due volte per accedere al menu delle impostazioni di sistema.● Funzione di ritorno: premere per tornare alla pagina precedente.● In modalità standby, premere a lungo per cambiare modalità tra Video / Foto / Riproduzione.● Durante la registrazione video, premere a lungo per bloccare / sbloccare il filmato corrente.
▶ (DESTRA)	<ul style="list-style-type: none">● Nell'impostazione del menu, premere per selezionare l'opzione.● In modalità di riproduzione, premere per selezionare i file multimediali.● Durante la registrazione video, premere per attivare / disattivare la registrazione audio mentre premere a lungo per attivare / disattivare la funzione di monitoraggio del parcheggio.



Configurazione e installazione:

1. Prima dell'installazione, controllare il normale funzionamento della fotocamera e assicurarsi di utilizzare una scheda Micro SD ad alta velocità (velocità di Classe 10 o superiore) e formattare la scheda nel menu della fotocamera al primo utilizzo.
2. Utilizzare il supporto a ventosa per installare la dash cam sul parabrezza. La posizione consigliata è vicino allo specchio retrovisore interno rivolto in avanti.
3. Regola l'angolazione dell'obiettivo della fotocamera, assicurati di ottenere la migliore copertura sul parabrezza e sulla strada da percorrere, in modo da poter registrare ciò che accade.
4. Collega la fotocamera all'auto vicino all'accendisigari, nascondi il resto del cavo nello spazio del pannello di rivestimento interno.

Modalità operative:

La dash cam funziona in 3 modalità: modalità registrazione video, modalità foto e modalità riproduzione. Queste modalità hanno anche il menu per aiutarti a configurare la registrazione e lo scatto di foto. Premere a lungo il pulsante menu per passare da una modalità all'altra e accedere alla modalità desiderata. L'icona rappresentata per ciascuna modalità viene visualizzata nell'angolo in alto a sinistra dello schermo.

Modalità di registrazione video:

La fotocamera entrerà automaticamente in modalità di registrazione video e inizierà a registrare quando è collegata a un caricabatteria per auto e si accende. Un punto rosso lampeggiante nell'angolo in alto a sinistra indica che la registrazione è in corso. Premere OK per interrompere la registrazione o riavviare la registrazione. Di seguito sono riportate le rappresentazioni di icone di alcune funzioni comuni sullo schermo, a indicare che queste funzioni sono abilitate. (Puoi anche trovare le loro rappresentazioni tramite il menu di conseguenza).



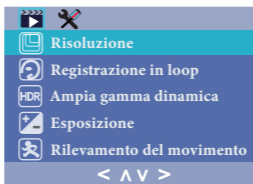
- | | |
|------------------------------------|-----------------------------------|
| 1. Modalità di registrazione video | 8. Risoluzione |
| 2. Registrazione in loop | 9. Monitor di parcheggio |
| 3. esposizione | 10. Stato della luce LED |
| 4. Rilevamento del movimento | 11. Stato della scheda di memoria |
| 5. HDR | 12. Stato di alimentazione |
| 6. sensore G | 13. Stato audio |
| 7. Tempo di registrazione | 14. Ora e data |

In tutte e 3 le modalità operative, è possibile premere una volta il pulsante MENU per accedere alle impostazioni di menu per quella modalità particolare e premere due volte per visualizzare il menu Impostazioni del sistema.

Il menu delle impostazioni di sistema è comune a tutte le modalità.

Premere ◀ e ▶ per scorrere le varie opzioni di impostazione e premere OK per selezionare e confermare la selezione, Premere nuovamente MENU per uscire dal menu di impostazione.

Menu di registrazione video:



Risoluzione: regola la risoluzione video di registrazione della videocamera anteriore 1080FHD / 720P /VGA, la

videocamera interna continuerà a registrare a 1080P.

Registrazione in loop: registra continuamente piccoli file video di una lunghezza determinata dalle impostazioni di 1/2/3 minuti. Ad esempio, se è impostato su 3 minuti, la fotocamera salverà automaticamente una sezione di video ogni 3 minuti. Quando la memoria si riempie, la dash cam eliminerà automaticamente il video più vecchio per registrare l'ultimo video, il che può evitare la mancanza di memoria.

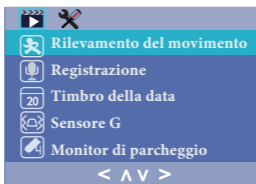
Ampia gamma dinamica: attivare per ottimizzare la qualità video con una gamma di luce e dettagli dell'immagine più ampia.

Esposizione: regola il valore dell'esposizione per regolare la luminosità del video.

attiva / disattiva la funzione di rilevamento del movimento.

Per la vostra sicurezza, consigliamo vivamente di disattivare questa funzione.

Rilevamento del movimento:



Registrazione: attiva / disattiva la registrazione audio nel video.

Timbro della data: attiva / disattiva i contrassegni di data e ora nei file video.

Sensore G: il sensore G rileva urti e movimenti significativi o improvvisi, quindi blocca automaticamente il file corrente dalla registrazione in loop. La sua sensibilità è regolabile (Spenta / Bassa / Media / Alta)

Monitor di parcheggio: viene utilizzato per proteggere la tua auto dopo il parcheggio. Con questa funzione attiva, dopo aver fermato l'auto e la fotocamera si è spenta, rimane in standby. Quando la fotocamera rileva urti e collisioni, si accende automaticamente e registra un breve video, quindi si spegne automaticamente. **Nota: per utilizzare questa funzione quando l'auto è parcheggiata, acquistare un hardwire kit (tipo mini USB) per la dash cam, quindi collegarlo all'alimentazione della scatola dei fusibili del veicolo in modo da fornire l'alimentazione alla telecamera.**

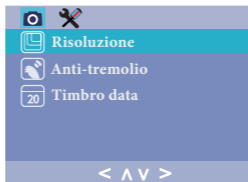
Modalità scatto foto:

La fotocamera può funzionare in modalità Scatto foto.

Fare una foto:

In modalità standby, premere a lungo MENU per passare alla modalità foto e premere OK per scattare una foto. Come la modalità di registrazione video, è possibile premere una volta il pulsante Menu per accedere al menu delle impostazioni per la modalità foto, premere due volte Menu per accedere al menu delle impostazioni di sistema.

Menu modalità foto:



Risoluzione: imposta la risoluzione della foto.

VGA / 1M / 2M / 3M / 5M / 8M / 10M per le scelte.

Anti-tremolio: attiva / disattiva la funzione di stabilizzazione dell'immagine.

Timbro data: attiva / disattiva la data e l'ora contrassegnate nei file di immagine.

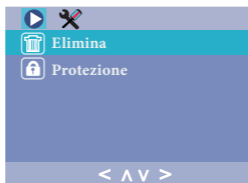
Modalità di riproduzione:

Questa modalità consente di riprodurre video registrati o visualizzare foto

1. Interrompere la registrazione video, premere a lungo il pulsante MENU due volte per accedere alla modalità di riproduzione.
2. Utilizzare il pulsante ◀ e ▶ per scorrere i file / foto registrati e premere OK per visualizzare il video registrato.

Menu di riproduzione:

Dopo aver scelto un video o una foto registrati, premere una volta il pulsante Menu per accedere al menu delle impostazioni per la modalità di riproduzione.

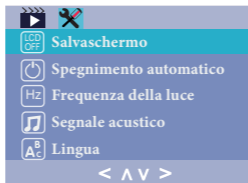


Elimina: Elimina il file corrente visualizzato o elimina tutti i file.

Protezione: blocca / sblocca il file corrente visualizzato o blocca / sblocca tutti i file.

Menu delle impostazioni di sistema:

Premere due volte il pulsante MENU per accedere al menu delle impostazioni di sistema in qualsiasi modalità. L'icona STRUMENTO è evidenziata nell'angolo in alto a sinistra.



Salvaschermo: Imposta la tempistica per lo spegnimento automatico del display LCD dopo nessuna operazione in modo da far funzionare il prodotto a bassissimo consumo energetico; Ci sono "Spento, 30s, 1 Min, 2 Min" in questa impostazione. Ad esempio, se è impostato su "30s", lo schermo si spegnerà dopo 30 secondi, ma la fotocamera continua a funzionare (registrazione). Quando si desidera accendere lo schermo, è possibile premere qualsiasi pulsante per attivare lo schermo.

Spegnimento automatico: consente di impostare il tempo di spegnimento automatico della fotocamera per risparmiare energia. La fotocamera si spegnerà automaticamente quando è in standby entro il tempo impostato. Spento / 1 minuto / 3 minuti / 5 minuti

Frequenza della luce: impostare la frequenza della luce su 50 Hz o 60 Hz in base alle normative locali.

Segnale acustico: Attiva / disattiva il suono che quando si preme un pulsante qualsiasi.

Lingua:

Scegli la lingua del sistema della fotocamera:

Cinese / inglese / francese / tedesco / italiano / spagnolo / giapponese.



Data / Ora: impostare l'ora e la data utilizzando i pulsanti SINISTRA e DESTRA, quindi premere OK per confermare le modifiche, premere nuovamente il pulsante MENU per uscire dall'impostazione dell'ora.

Formato: formatta / elimina tutti i dati dalla scheda Micro SD.

Ripristina impostazioni: ripristina tutte le impostazioni ai valori predefiniti di fabbrica.

Versione: controlla la versione del firmware.

Luce LED: imposta la modalità di funzionamento della lampada LED IR per la telecamera interna, Acceso / Sospeso o Automatico. In modalità Automatico, il LED IR si accende quando la luce all'interno dell'auto è troppo scura.

Specifica

Modello	J05
Risoluzione video	1080FHD / 720P / VGA
Risoluzione foto	VGA / 1M / 2M / 3M / 5M / 8M / 10M
Schermo	Display LCD da 1,5 pollici
Angolo	Obiettivo grandangolare ad alta risoluzione 170 °
Risoluzione video	Anteriore: 1920 * 1080P (più alto), interno: 1920 * 1080P
Frequenza dei fotogrammi	30 fps
Pixel effettivi	2MP
Formato di codifica video	H.264, MOV
Formato foto	JPEG
Salvaschermo	Supportato
Registrazione in loop	Spento / 1 minuto / 2 minuti / 3 minuti
HDR	Supportato
Blocco sensore G.	Supportato
Lampade LED IR	4 pz
Lingua	Cinese / inglese / francese / tedesco / italiano / spagnolo / giapponese
Registrazione audio	Microfono incorporato, Acceso / Spento opzionale
Conservazione	Scheda Micro SD (Classe 10, fino a 64 GB)
Interfaccia USB	Mini USB
Alimentazione esterna	DC 5 V / 0,8 A
Frequenza della luce	50 HZ / 60 HZ
Batteria	Batteria al litio polimerica da 200 mAh
Temperatura di conservazione	-20°C - 60°C
Betriebstemperatur	-10°C - 50°C

FAQ:

1.D:Ho impostato la registrazione in loop, ma registra solo in modo casuale per secondi con un lungo intervallo nel mezzo, quindi si ferma e riavvia la registrazione.

R: Sugeriamo di non attivare le funzioni di rilevamento del movimento durante la guida, questa funzione potrebbe rendere la registrazione intermittente.

2.D:La scheda SD si riempie e non viene sovrascritta?

R: Controlla se tutti i file video sono bloccati (se bloccati, ci sarà un'icona "chiave" in alto a sinistra sullo schermo quando riproduci i file). Quei file bloccati non possono essere sovrascritti dalla registrazione in loop mentre è necessario eliminarli manualmente, formattare la scheda micro SD e regolare la sensibilità del sensore G.

3.D: Può scattare foto e puoi riprodurre i video registrati su di esso?

R: Sì, può scattare foto poiché ha la modalità fotocamera. Si prega di premere a lungo il pulsante MENU per cambiare le modalità di riproduzione dei file dalla videocamera. Il video della fotocamera anteriore può essere riprodotto direttamente dalla dash cam o dal PC.

4.D: Perché non riesco a vedere le registrazioni della videocamera interna quando riproduco attraverso la videocamera?

R: Ciò che è stato registrato dalla telecamera interna può

essere rivisto solo tramite PC. Pertanto, collegare la fotocamera al PC tramite il cavo USB in dotazione o rimuovere semplicemente la scheda di memoria e leggerla sul PC per rivedere il filmato.

5.D: 5. Se vedo un evento di cui non faccio parte ma è stato catturato dalla fotocamera, come posso salvare quella registrazione? Quale pulsante dovrei premere?

R: In tal caso, è necessario bloccare manualmente il video per proteggerlo dalla sovrascrittura, ci sono 2 modi: (1) Premere a lungo il pulsante MENU per bloccare il video in registrazione corrente, vedrai apparire un'icona "chiave" sullo schermo; (2) Oppure fermare l'auto, ma lasciare che l'auto si avvii (per alimentare la dash cam), quindi riprodurre il video, trovare il video correlato, premere il pulsante MENU per proteggerlo.

6.D: Come funziona la fotocamera interna?

R: La vista interna apparirà automaticamente sullo schermo con l'accensione. In modalità standby o modalità di registrazione video, premere ◀ il pulsante per cambiare la visualizzazione del display anteriore e interna.

7.D: La batteria interna, nonostante riceva una ricarica di una notte, dura a malapena pochi minuti?/ Senza alimentazione esterna, la telecamera dura solo pochissimo tempo o semplicemente non si accende?

R: La batteria integrata serve solo per salvare i file con urgenza in caso di spegnimento improvviso. La dash cam è alimentata dall'auto. La telecamera dell'auto si accenderà / spegnerà automaticamente quando l'accensione del motore dell'auto è inserita / disinserita. Non è necessario caricare la dash cam o preoccuparsi del livello della batteria. Non è progettato per funzionare senza alimentazione esterna, quindi tieni la videocamera collegata alla presa dell'accendisigari dell'auto, mentre avvii l'auto, la tua auto fornisce alimentazione alla dash cam, la dash cam si accende e registra video. Tuttavia, una volta che l'auto si spegne, la dash cam si spegnerà e interromperà anche la registrazione. Se non vuoi collegare l'accendisigari, puoi anche collegare la videocamera alla scatola dei fusibili dell'auto. Si prega di acquistare separatamente un "hardwire kit per dash cam" (tipo mini USB).

8.D: Il monitor di parcheggio non funziona?

R: Tutte le dash cam sul mercato sono alimentate dall'auto. Dopo che la dash cam è collegata alla presa dell'accendisigari dell'auto, mentre si avvia, l'auto fornirà alimentazione alla dash cam, la dash cam si accenderà e registrerà il video. Tuttavia, una volta che l'auto si spegne, la dash cam si spegne e interrompe anche la registrazione. Pertanto, non reagisce ai movimenti e agli urti dopo lo spegnimento del motore.

Pertanto, se si desidera attivare la dash cam per monitorare l'auto dopo che si è spenta durante il parcheggio notturno, la dash cam deve essere collegata alla scatola dei fusibili dell'auto. Si prega di acquistare separatamente un "hardwire kit per dash cam" (tipo mini USB).

9.D: Il supporto a ventosa non può essere fissato bene sul parabrezza?

R: 1. Si prega di pulire il parabrezza dove si attacca con un panno per la pulizia del vetro. Rimossa la pellicola protettiva, se non funziona, riscalda il parabrezza e riprova.
2. Si prega di immergere il supporto a ventosa per riscaldare l'acqua per un momento.

F: 10.D: La dash cam si fermerà automaticamente durante la registrazione?

R: 1. Controlla se la memoria è piena.
2. Verificare se la funzione di registrazione in loop è attivata.
3. Controllare se la scheda Micro SD è ad alta velocità superiore a C10.
4. Controlla la scheda di memoria, potrebbero esserci troppi video bloccati che la registrazione in loop non funzionerà correttamente.
5. Controllare lo stato della connessione del caricatore per auto, se la connessione è allentata, l'alimentazione non è stabile, la fotocamera si spegne automaticamente.

6. Controlla se è solo a causa del salva schermo attivo.

11.D: La fotocamera continua ad avviarsi e spegnersi?

R: Potrebbe essere la funzione di monitoraggio del parcheggio che viene attivata, controlla il menu di configurazione.

12.D: Ci sono strisce di interferenza nell'immagine?

R: Dovrebbe essere una frequenza della luce sbagliata. In base alla normativa locale, scegliere le impostazioni di frequenza appropriate 50HZ o 60HZ.

13.Non stai vivendo un'esperienza positiva?

R: In caso di problemi con le nostre dash cam entro 12 mesi dalla data di acquisto, non esitare a comunicarcelo, ti risponderemo entro 24 ore e ti offriremo una soluzione perfetta.

Español

Consejos:

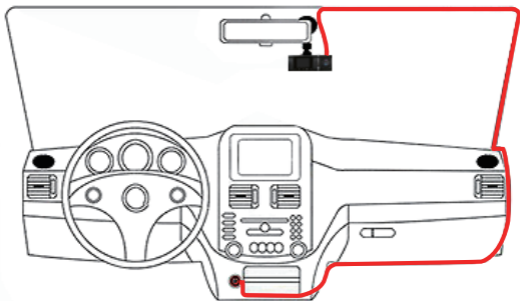
- Formatee la tarjeta de memoria en el menú de la cámara para el primer uso.
- Esta cámara graba video a alta resolución. Asegúrese de utilizar una tarjeta Micro SD de alta velocidad (clase 10 o superior, el máximo admite 64 GB). Por razones de seguridad, la batería incorporada solo se usa para archivos de respaldo de emergencia.
- Para que funcione, la dash cam debe estar conectada al enchufe del encendedor de cigarrillos del automóvil o cableada a la caja de fusibles del automóvil.
- El video de la cámara frontal se puede revisar directamente desde la dash cam o la PC, pero lo que fue grabado por la cámara interior sólo se puede revisar a través de PC. Por lo tanto, conecte la cámara a la PC con el cable USB adjunto o simplemente retire la tarjeta de memoria y léala en la PC para revisar el metraje.

Función de Interfaz y Botón



Función de Botón

Potenza	<ul style="list-style-type: none">● Mantenga pulsado para ENCENDER/APAGAR la cámara.● Pulse para encender/apagar la pantalla.
Aceptar	<ul style="list-style-type: none">● En el modo de video, pulse para iniciar /detener la grabación de video● En el modo de cámara, pulse para tomar una foto.● En la configuración del menú, pulse para confirmar la selección y el ajuste.● En el modo de reproducción, pulse para seleccionar y reproducir archivos grabados.
◀ (IZQUIERDA)	<ul style="list-style-type: none">● En la configuración del menú, pulse para seleccionar la opción.● En el modo de espera o en los modos de grabación de video, pulse para cambiar las vistas de la pantalla frontal e interior.● En el modo de reproducción, pulse para seleccionar archivos multimedia.● Mantenga pulsado para encender/apagar la luz LED de la cámara interior.
MENÚ	<ul style="list-style-type: none">● En el modo de espera, pulse para acceder a la configuración del menú y pulse dos veces para acceder al Menú de Configuración del Sistema.● Función de Retorno: Pulse para regresar a la página anterior.● En el modo de espera, mantenga pulsado para cambiar el modo entre Vídeo/Foto/Reproducción.● Durante la grabación de video, mantenga pulsado para bloquear/desbloquear el metraje actual.
▶ (DERECHA)	<ul style="list-style-type: none">● En la configuración del menú, pulse para seleccionar la opción.● En el modo de reproducción, pulse para seleccionar archivos multimedia.● Durante la grabación de video, pulse para encender/apagar la grabación de audio mientras mantiene pulsado para encender/apagar la función de monitor de estacionamiento.



Configuración e Instalación:

1. Antes de la instalación, compruebe el funcionamiento normal de la cámara y asegúrese de que está utilizando una tarjeta Micro SD de alta velocidad (velocidad de clase 10 o superior) y formatee la tarjeta en el menú de la cámara para el primer uso.
2. Utilice el soporte de ventosa para instalar la dash cam en el parabrisas. La ubicación recomendada es cerca del espejo retrovisor interior orientado hacia el frente, ajuste el ángulo de la lente para obtener la mejor cobertura.
3. Ajuste el ángulo de la lente de la cámara, asegúrese de obtener la mejor cobertura sobre el capó y el camino por delante, para que pueda registrar lo que sucede.
4. Conecte la cámara al automóvil con el encendedor de cigarrillos, oculte el resto del cable en el espacio de la placa de acabado interior.

Modos de Funcionamiento:

La dash cam funciona en 3 modos: Modo de Grabación de Video, Modo de Foto y Modo de Reproducción. Estos modos también tienen el menú para ayudarle a configurar la grabación y la toma de fotos. Mantenga pulsado el botón de menú para cambiar entre diferentes modos y acceder al modo que desee. El icono representado para cada modo se muestra en la esquina superior izquierda de la pantalla.

Modo de Grabación de Video:

La cámara ingresará automáticamente al Modo de Grabación de Video y comenzará a grabar cuando se conecte a un cargador de automóvil y se encienda. Un punto rojo que parpadea en la esquina superior izquierda indica que el registro está en curso. Pulse Aceptar para detener la grabación o comenzar a grabar nuevamente. Las siguientes son representaciones de iconos de algunas funciones comunes en la pantalla, lo que indica que estas funciones están habilitadas. (También puede encontrar sus representaciones a través del menú en consecuencia).



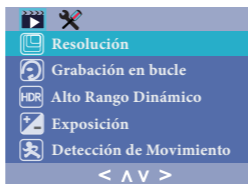
1. Modo de Grabación de Video
2. Grabación en Bucle
3. Exposición
4. Detección de Movimiento
5. HDR
6. G-sensor
7. Tiempo de Grabación
8. Resolución
9. Monitor de Estacionamiento
10. Estado de Luz LED
11. Estado de Tarjeta de Memoria
12. Estado de Potencia
13. Estado de Audio
14. Tiempo y Fecha

En los 3 modos de funcionamiento, puede pulsar el botón MENÚ una vez para acceder a la configuración del menú para ese modo en particular, y pulsar dos veces para mostrar el Menú de Configuración del Sistema.

El Menú de Configuración del Sistema es común a todos los modos.

Pulse para desplazarse por las distintas opciones de configuración ◀ y ▶ pulse Aceptar para seleccionar y confirmar la selección. Pulse MENÚ nuevamente para salir del menú de configuración.

Menú de Grabación de Video:



Resolución: ajuste la resolución de video de grabación de la cámara frontal 1080FHD / 720P / VGA, la cámara interior

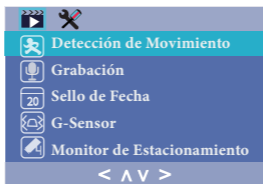
seguirá grabando a 1080P.

Grabación en bucle: grabe continuamente pequeños archivos de video de una duración determinada por la configuración de 1/2/3 minutos. Por ejemplo, si se establece en 3 minutos, la cámara guardará automáticamente una sección de videos cada 3 minutos. Cuando la memoria se llena, la dash cam borrará automáticamente el video más antiguo para grabar el video más reciente, lo que puede evitar la falta de memoria.

Alto Rango Dinámico: Encienda para optimizar la calidad del video con un rango de luz más amplio y detalles de imagen.

Exposición: Ajusta el valor de exposición para ajustar el brillo del video.

Detección de Movimiento: ENCIENDA/APAGUE la función de detección de movimiento.



Grabación: ENCIENDA/APAGUE la grabación de audio en el video.

Sello de Fecha: Active/Desactive las marcas de fecha y hora en archivos de video.

G-Sensor: G-sensor detecta golpes y movimientos significativos o repentinos, luego bloquea automáticamente el archivo actual de la grabación en bucle. Su sensibilidad es ajustable (Apagado/Bajo/Medio/Alto)

Monitor de Estacionamiento: Se utiliza para proteger su automóvil después del estacionamiento. Con esta función activada, después de detener el automóvil y la cámara se apaga, permanece en espera. Cuando la cámara detecta golpes y colisiones, se encenderá automáticamente y tomará un video corto, luego se apagará automáticamente.

Nota: Para utilizar esta función cuando el automóvil está estacionado, compre un kit de cableado (tipo mini USB) para la dash cam y luego conéctelo a la caja de fusibles del vehículo para suministrar energía a la cámara.

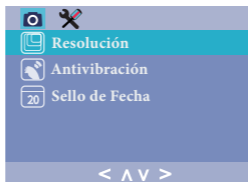
Modo de Toma de Fotos:

La cámara puede funcionar en el Modo de Toma de Fotos.

Para tomar una foto:

En el modo de espera, mantenga pulsado MENÚ para cambiar al modo de foto y pulse Aceptar para tomar una foto. Al igual que en el Modo de Grabación de Video, puede pulsar el botón Menú una vez para acceder al menú de configuración para el Modo de Foto, pulse Menú dos veces para ingresar al Menú de Configuración del Sistema.

Menú de Modo de Foto:



Resolución: Establezca la resolución de la foto. VGA/1M/2M/3M/5M/8M/10M para opciones.

Antivibración: Encienda/Apague la función de estabilización de imagen.

Sello de Fecha: Active/Desactive la fecha y el tiempo marcadas en los archivos de imagen.

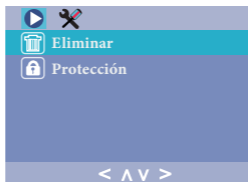
Modo de Reproducción:

Este modo le permite reproducir videos grabados o ver fotos

1. Detenga la grabación de video, mantenga pulsado el botón MENÚ dos veces para ingresar al modo de reproducción.
2. Utilice el botón ◀ y ▶ para desplazarse por los archivos/ fotos grabados y pulse Aceptar para ver el video grabado.

Menú de Reproducción:

Después de elegir un video o una foto grabada, pulse el botón Menú una vez para acceder al menú de configuración para el Modo de Reproducción.

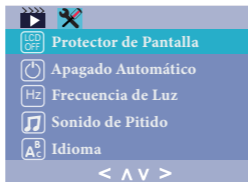


Eliminar: Elimina el archivo actual que se muestra o elimina todos los archivos.

Protección: Bloquea/Desbloquea el archivo actual mostrado o bloquea/desbloquea todos los archivos.

Menú de Configuración del Sistema:

Pulse el botón MENÚ dos veces para acceder al Menú de Configuración del Sistema en cualquier modo. El icono de HERRAMIENTA está resaltado en la esquina superior izquierda.



Protector de Pantalla: Establezca el tiempo para apagar automáticamente la pantalla LCD después de ninguna operación para que el producto funcione con un consumo de energía muy bajo; Hay "Apagado, 30 segundos, 1 minuto, 2 minutos" en esta configuración. Por ejemplo, si se establece en "30 segundos", la pantalla se apagará después de 30 segundos, pero la cámara aún está funcionando (grabando). Cuando desee encender la pantalla, puede pulsar cualquier botón para activar la pantalla.

Apagado Automático: Establezca el tiempo para que la cámara se apague automáticamente para ahorrar energía. La cámara se apagará automáticamente cuando esté en espera por debajo del tiempo establecido. Apagado/1 minuto/3 minutos/5 minutos

Frecuencia de Luz: establezca la frecuencia de luz en 50 HZ o 60 HZ de acuerdo con la normativa local.

Sonido de Pitido: Enciende / Apaga el sonido que se hace al presionar cualquier botón.

Idioma:

Elija el idioma del sistema de la cámara:

Chino/English/ Français /Deutsch/Italiano/Español/Japonés



Fecha/Tiempo: Configure la hora y la fecha usando los botones IZQUIERDA y DERECHA, luego pulse Aceptar para confirmar los cambios, pulse el botón MENÚ nuevamente para salir de la configuración de la hora.

Formatear: Formatee/ elimine todos los datos de la tarjeta Micro SD.

Restaurar Configuración: Restablece todas las configuraciones a los valores predeterminados de fábrica.

Versión: Compruebe la versión del firmware.

Luz LED: Configure el modo de funcionamiento de la lámpara LED infrarroja para la cámara interior, Encendido/ Apagado o Automático. En el modo automático, el LED infrarrojo se encenderá cuando la luz del interior del automóvil sea demasiado oscura.

Especificación

Modelo producto	J05
Resolución de Vídeo	1080FHD / 720P / VGA
Resolución de Foto	VGA/1M/2M/3M/5M/8M/10M
Pantalla	Pantalla LCD de 1,5 pulgadas
Ángulo	Lente gran angular de alta resolución de 170 °
Resolución de Vídeo	Frente: 1920 * 1080P (más alto), interior: 1920 * 1080P
Frecuencia de Imágenes	30 fps
Píxeles efectivos	2MP
Formato de Codificación de Vídeo	H.264, MOV
Formato de Foto	JPEG
Protector de Pantalla	Admitido
Grabación en Bucle	Apagado/1 minuto/2 minutos/3 minutos
HDR	Admitido
Bloqueo del G-sensor	Admitido
Lámparas de LED infrarrojas	4 piezas
Idioma	Chino/English/Français /Deutsch/Italiano/ Español/Japonés
Grabación de Audio	Micrófono incorporado, Encendido /Apagado opcional
Almacenamiento	Tarjeta Micro SD (clase 10, hasta 64 GB)
Interfaz USB	Mini USB
Fuente de potencia externa	DC 5V / 0,8A
Frecuencia de Luz	50 HZ / 60 HZ
Batería	Batería de polímero de litio de 200 mAh
Temperatura de almacenamiento	-20°C - 60°C
Temperatura de funcionamiento	-10°C - 50°C

Preguntas Frecuentes:

P: He configurado la grabación en bucle, pero solo graba aleatoriamente durante segundos con un intervalo largo entre ellos, luego se detiene y reinicia la grabación.

R: Le sugerimos que no active las funciones de detección de movimiento mientras conduce, esta función puede hacer que la grabación sea intermitente.

P: ¿La tarjeta SD se llena y no se sobrescribe?

R: Compruebe si todos los archivos de vídeo están bloqueados (si están bloqueados, habrá un icono de "tecla" en la parte superior izquierda de la pantalla cuando reproduzca los archivos). Esos archivos bloqueados no se pueden sobrescribir mediante la grabación en bucle mientras se deben eliminar manualmente, formatee la tarjeta micro SD y ajuste la sensibilidad del G-sensor.

P: ¿Toma fotos y puede reproducir los videos grabados en él?

R: Sí, puede tomar fotos ya que tiene el modo de cámara. Mantenga pulsado el botón MENÚ para cambiar entre los modos de reproducción de archivos- video - cámara. El video de la cámara frontal se puede reproducir directamente desde la dash cam o la PC.

P: ¿Por qué no puedo ver los registros de la cámara interior cuando reproduzco a través de la cámara?

R: Lo que se grabó con la cámara interior solo se puede

revisar a través de una PC. Por lo tanto, conecte la cámara a la PC con el cable USB adjunto o simplemente retire la tarjeta de memoria y léala en la PC para revisar el metraje.

P: Si veo un accidente del que no soy parte, pero ha sido capturado por la cámara, ¿cómo puedo guardar esa grabación? ¿Qué botón pulsaría?

R: Si es así, debe bloquear manualmente el video para evitar que se sobrescriba, hay 2 formas: (1) Mantenga pulsado el botón MENÚ para bloquear la grabación de video actual, verá aparecer un ícono de "tecla" en el pantalla; (2) O detenga el automóvil, pero deje que el automóvil arranque (para encender la dash cam) y luego reproduzca el video, busque el video relacionado, pulse el botón MENÚ para protegerlo.

P: ¿Cómo funciona la cámara interior?

R: La vista interior se mostrará automáticamente en la pantalla con el encendido. En el modo de espera o en los modos de grabación de video, pulse el ◀ botón para cambiar las vistas de la pantalla frontal e interior.

P: ¿La batería interna, a pesar de recibir una carga de una noche, apenas dura unos minutos?/Sin fuente de alimentación externa, ¿la cámara dura muy poco tiempo o simplemente no se puede encender?

R: La batería incorporada es solo para guardar archivos urgentemente en caso de un apagado repentino. La cámara del tablero es alimentada por el automóvil. La cámara del automóvil se encenderá / apagará automáticamente cuando el motor del automóvil esté encendido/apagado. No es necesario cargar la dash cam ni preocuparse por el nivel de la batería. No está diseñado para funcionar sin una fuente de alimentación externa, así que mantenga la cámara conectada a la toma del encendedor de cigarrillos del automóvil, mientras enciende el automóvil, su automóvil está suministrando energía a la dash cam, la dash cam se encenderá y grabará video. Sin embargo, una vez que el automóvil se apaga, la dash cam se apagará y también dejará de grabar. Si no desea conectar el encendedor de cigarrillos, también puede conectar la cámara a la caja de fusibles del automóvil. Adquiera un "kit de cableado duro para cámara de tablero" (tipo mini USB) por separado.

P: ¿El monitor de estacionamiento no funciona?

R: Todas las dash cams del mercado son alimentadas por el automóvil. Después de que la dash cam se conecte a la toma del encendedor de cigarrillos del automóvil, mientras arranca el automóvil, el automóvil suministrará energía a la dash cam, la dash cam se encenderá y grabará el video. Sin embargo, una vez que el automóvil se apaga, la dash cam se apaga y también deja de grabar. Por lo tanto, no reacciona a los movimientos e impactos después de que se apaga el motor.

Por lo tanto, si desea activar la dash cam para monitorizar su automóvil después de que el automóvil se apague durante el estacionamiento nocturno, la dash cam debe estar conectada a la caja de fusibles del automóvil. Adquiera un "kit de cableado duro para cámara de tablero" (tipo mini USB) por separado.

P: ¿El soporte de succión no se fija bien en el parabrisas?

R: 1. Limpie el parabrisas donde se fija con una toallita limpiadora de vidrio. Se quitó la película protectora, si no funciona, se calienta el parabrisas y se vuelve a intentar.
2. Remoje el soporte de succión en agua tibia por un momento.

P: ¿La dash cam se detendrá automáticamente durante la grabación?

R: 1. Compruebe si la memoria está llena.
2. Compruebe si la función de grabación en bucle está activada.
3. Compruebe si la tarjeta Micro SD es de alta velocidad por encima de C10.
4. Compruebe la tarjeta de memoria, puede haber demasiados videos bloqueados que la grabación en bucle no funcionará correctamente.
5. Compruebe el estado de conexión del cargador del automóvil, si la conexión está suelta, la fuente de alimen-

tación no es estable, la cámara se apagará automáticamente.

6. Compruebe si es solo porque el protector de pantalla está activado.

P: ¿La cámara sigue arrancando y apagándose?

R: Esa podría ser la función de monitor de estacionamiento que se activa, compruebe el menú de configuración.

P: ¿Hay interferencias de rayas en la imagen?

R: Eso debería ser una frecuencia de luz incorrecta. Según la regulación local, elija los ajustes de frecuencia adecuados 50HZ o 60HZ.

¿No está teniendo una experiencia positiva?

Si hay algún problema con nuestras dash cams en 12 meses desde la fecha de compra, no dude en hacernos saber, le responderemos dentro de las 24 horas y le ofreceremos una solución perfecta.