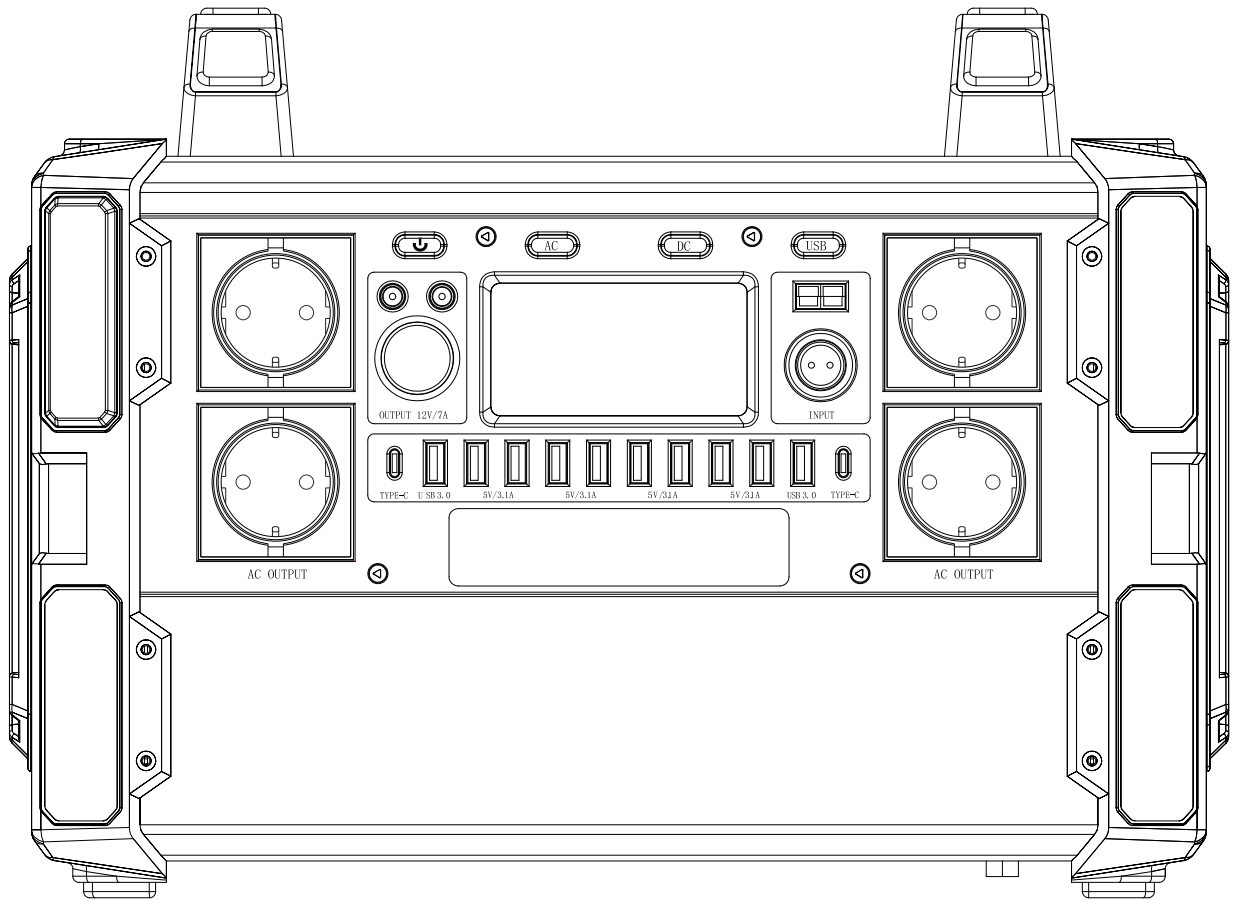




PORTABLE POWER SUPPLY

Universal Instruction manual



ATTENTION: This product user manual is universal for portable solar generator AC output range between 230V/50Hz . Actual product specification, actual AC outlets will be different according to different countries, areas or customers. Please refer to the actual product before you use the product.

ABOUT THE UNIT

Thank you very much for applying our multi-function portable solar generator. In case of power failure or you need to charge on a travel, you can temporarily charge your electrical or digital products with this unit. This unit has been built in high quality lithium battery, supports for USB, DC and AC output. Before using this unit, please read the user manual carefully and properly keep for reference.

ATTENTION!

This manual is to help you use the product correctly; it does not represent any description on the hardware and software configuration of the product. About the product configuration, please refer to the contract related to this product (if there is), or consult to the seller that sells the product. Pictures in this manual is for reference only, if there are individual pictures do not match the actual, please prevail in actual products.

The unit provides Sine Wave output

This power supply has a built-in inverter to provide pure sine wave output, which is consistent with the mains waveform and characteristics. Can provide fairly pure AC alternating current for electrical appliances. However, the traditional inverter with modified wave may cause the inverter to be unstable, and even cause electrical appliances, such as electrical appliances with built-in motors (such as electric fans, printers with motors, etc.) to emit certain operating noise. This product is for emergency use only and cannot be used as a substitute for normal household AC power. For long-term use of the appliance, please be sure to use the power supply specifications required by the appliance.

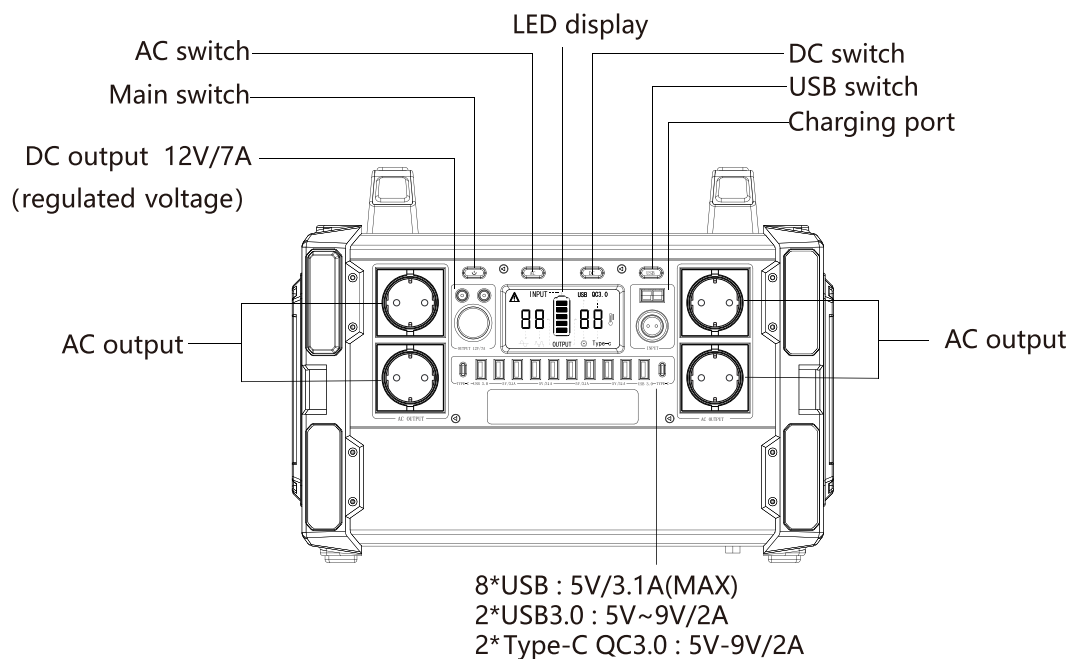
【 I 】 PRODUCT PARAMETERS

| | |
|--------------------|---|
| Capacity | 1048Wh/327600mAh/3.2v |
| Dimensions(LWH) | 395 x 215 x 240mm |
| Weight | About 16 Kg |
| Built-in Battery | Phosphate iron lithium battery (LiFePo4 battery) |
| Input Recharging | DC: 25.5V/6A |
| Fully Charged Time | DC: 8-9 hours |
| USB Output | 8 x USB: 5V/3.1A(MAX) 2 x Type-c: 5V ~ 9V/2A 2 x USB3.0: 5V ~ 9V/2A |

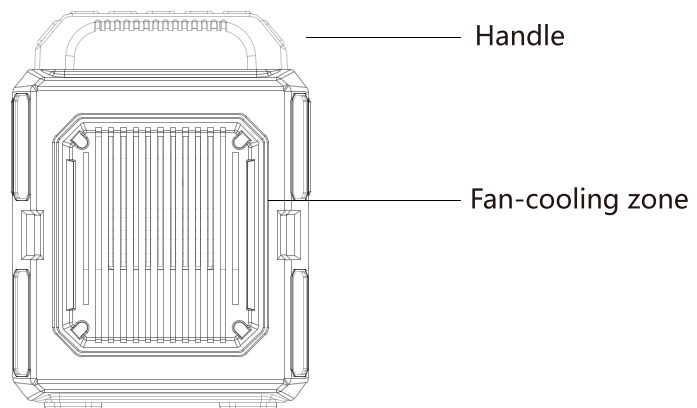
| | |
|-----------------------|--|
| DC output | 12V/7A |
| AC output | 4 x AC pure sine wave 1000W Continuous output power AC output 230V |
| Power Indicator | LED Display |
| Operation temperature | -10°C~40°C |
| Lifecycle | >2000 times |
| Package include | 1 x 1000W power generator 1 x power adapter 1 x users manual |

【 II 】 PRODUCT DESCRIPTION

【Front】

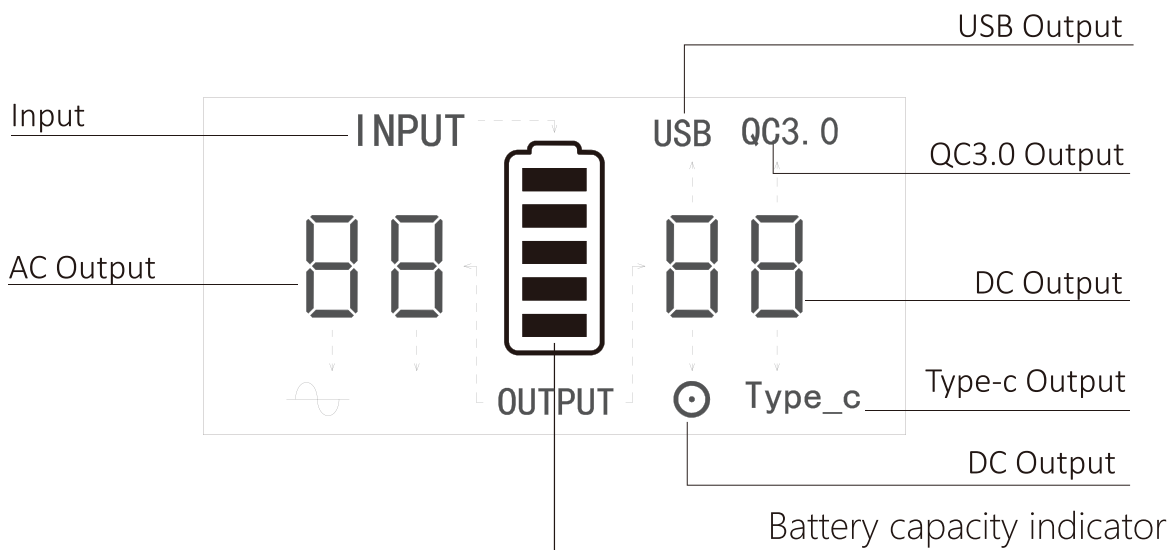


【Front】



AC Outlet, AC output voltage and frequency will be different according to different countries or areas, Please refer to the actual product before using.

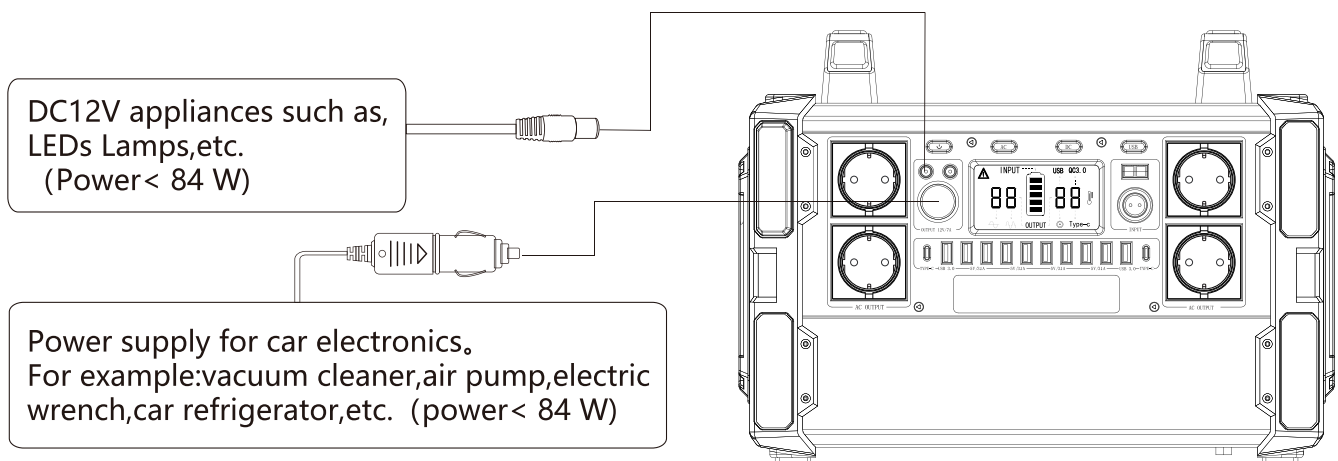
【LED Display】



【III】 PRODUCT INSTRUCTIONS

1).How to use this product to power DC12V electrical appliances (such as lights,ventilators)? Please make sure whether the DC12V electrical or lighting equipment interface is a DC5.5 male connector (outer diameter of the power plug: 5.5mm), otherwise it cannot be connected to the DC output socket of the machine. At this time, you can consult the electrical manufacturer and purchase the corresponding the adapter to connect the machine. Connect the cigarette lighter to the vehicle tool to achieve power supply. If your electrical appliance supports car charging and power supply, you can use the cigarette lighter port to connect the product and your electrical appliance to achieve the purpose of power supply.

【Front】



※ **Note:**The working range of DC output voltage of this product is 12V (regulated voltage), and the maximum output current is 7A.

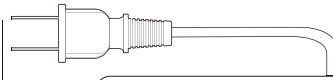
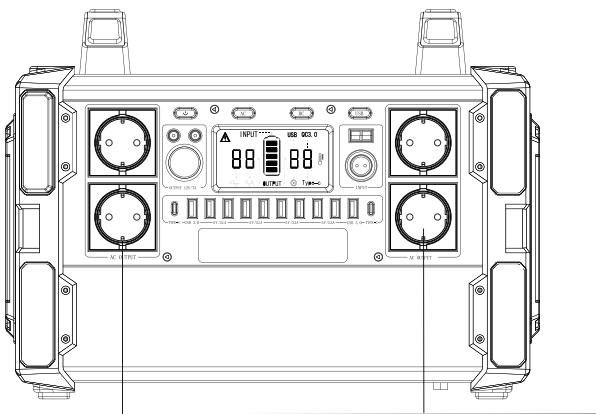
DC protection mode:

Short circuit, overload protection: If the DC output is short-circuited or the DC output is overload (load 85W or more), the unit will turn off the DC output. After removing the load, please press the DC button to restart the product.

1) How to provide power for AC appliances with this unit ?

- Connect the plug of power cord of the appliances to the AC outlets of this unit.
- Click the POWER button of this unit to turn on, and click the AC button to turn on the AC output. At this time, the LED display of this unit will display the AC letter and the sine wave symbol is on, which means AC output and the electrical appliances start to work;
- Click POWER or directly press the AC button to turn off the AC output and the electrical appliances stop working.

【Product front】



The load power has to be equal to or less than 1000W, such as Lamp, TVs, electric fans, etc.; If the AC output is short-circuited or the load power exceeds 1000W, the product will enter the short-circuit protection or overload protection state, remove the short-circuit or the electrical equipment, press the AC button of the unit to restore the AC output.

Warning: According to different countries, the interface specifications and voltage specifications are also different. Please check carefully in advance whether the product specifications are consistent with the machine specifications, otherwise dangerous situations may occur. When you are not using an AC outlet, please turn off the AC switch in time to save energy.

Protection mode:

Short-circuit and over-power protection: When AC output is short-circuited or over-power (load exceeds 1000W), the AC output will be closed and protected. Please remove the load and press the AC button to restore AC output.

Remarks: Some electrical appliances, refrigerators, ice machines, laser printer lights, etc. require peak power to start or work. This peak power may last very short time, but it may exceed 1000W and active the over-load protection. Please remove the appliances and press the AC button for reactivation. Please consult the equipment manufacturer for more information.

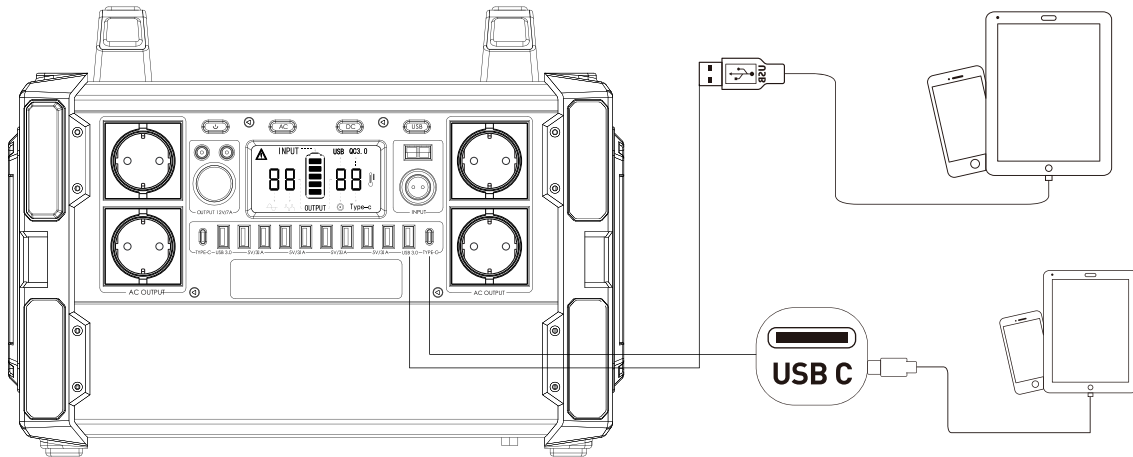
3). How to use this unit to power USB digital devices

Connect the digital device to the USB output port of this unit, and then press the USB button, then it works.

Note: For some smart devices, such as Bluetooth headset and LED lights, their charging currents are lower than 150mA, it will cause the unit can not detect this current value and then these devices can not get any power from the unit .

Fast Charge 3.0 Technology: The power pack supports Fast Charge 3.0 output technology and 5V ~ 9V/2A output, can be used for smart phones and pads which adopts Fast Charge 3.0 technology. For exact charging voltage and current please contact the manufacturer for more details.

【Front】



Note:When the product is in overload or short-circuit protection, please remove the load and USB will automatically active.

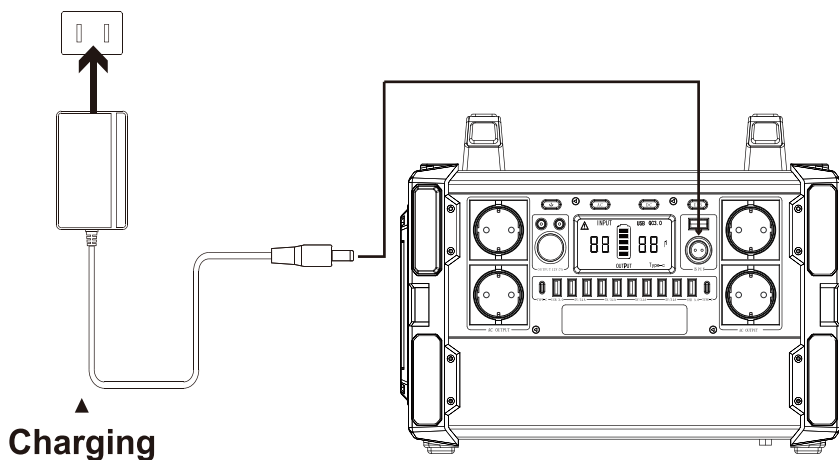
5) How to charge the unit?

a. Recharge through AC Wall Charger

Using the AC Wall Charger plug the unit into any wall outlet to charge the unit. You will know the unit is charging when the blue LED battery indicators are blinking. The unit is fully charged when all battery indicators stop blinking and remain solid. After the unit is fully charged, please remove the AC wall charger in time.

【Right】

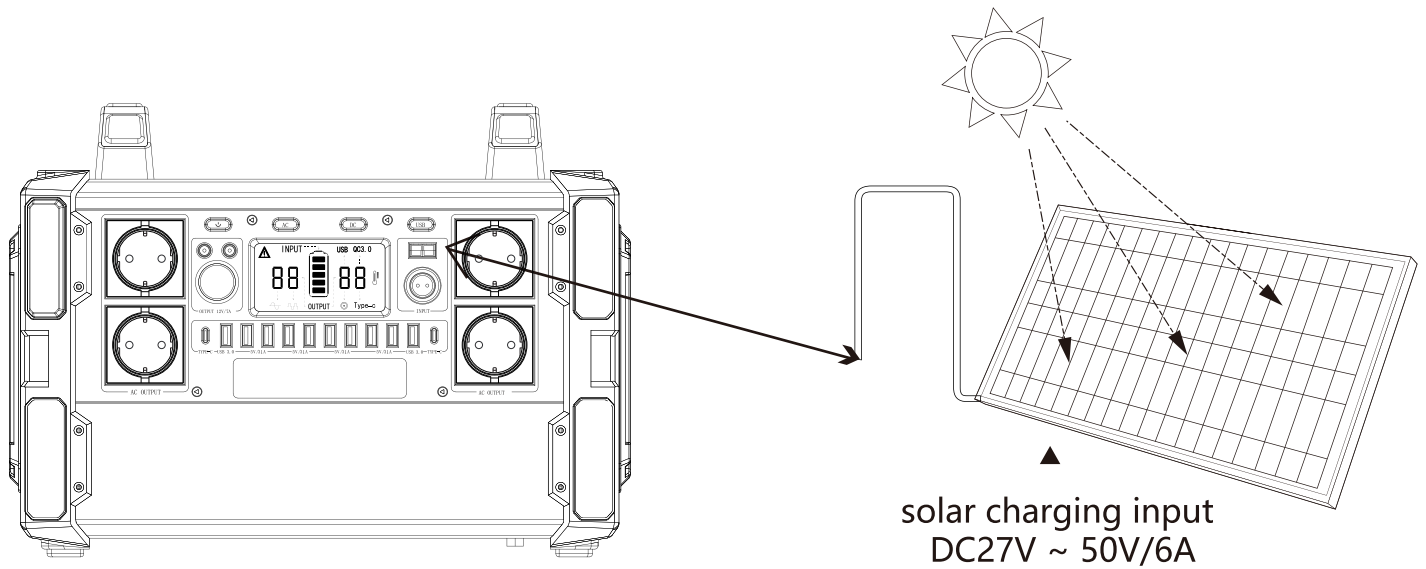
AC Socket



Charging

b. Charge from Solar panel

1. Place your solar panel where it will get as much direct sunlight as possible.
2. Plug the output of the solar panel into the input of the unit to start charging. You will know the unit is charging when the blue LED Battery Indicator lights up and blinks. The unit is fully charged when all battery indicators stop blinking and remain solid.



【 IV 】 SECURITY AND MAINTENANCE

- a) Do not short-circuit the unit. To avoid short-circuiting, keep the unit away from all metal objects (e.g. coins, hair-pins, keys, etc.).
- b) Do not heat the unit, or dispose it in fire water or other liquids Keep away from high temperatures. Do not expose the unit to direct sunlight.
- c) Keep away from high humidity, dusty places.
- d) Do not disassemble or reassemble this unit.
- e) In order to extend the life of product (lithium battery), it is best to charge within 3 months
Do not drop, place heavy objects or hit it strongly
- f) This appliance is not intended for use by persons (including children) with reduced physical, sensory or mental capabilities, or lack of experience and knowledge, unless they have been given supervision or instruction concerning use of the appliance by a person responsible for their safety.
- g) Children should be supervised to ensure that they do not play with the appliance.
- h) Do not cover the device with towels, clothing and other item.
- i) The unit may become hot when charging. This is normal. **Please be careful when handling**
- j) Do not charge the unit over the required time.
- k) Disconnect the unit when fully charged.
- l) Use the unit properly to avoid electronic shock.
- m) Please deal with scrap products in accordance with the regulations, do not treat the built-in battery as a household garbage, so as not to cause the explosion and pollution.
- n) The product is only used for emergency situations, it cannot replace the standard DC or AC power of household appliances or digital products.

【 V 】 PRODUCT APPLICATION SKILLS

- a) This product is built in high quality original lithium ion battery, it has no memory effect but high-capacity, and it is durable. However, we still recommend you to apply in the range of 10 ℃~30 ℃, so as to obtain the optimal charging capacity.
- b) When charging, in order to avoid interference, please stay away from TV, radio and other equipment.
- c) If the device has not been used for a long time, please disconnect the cable before store.
- d) Some portable devices may need to be set in charge mode to charge, see the corresponding equipment use manual for more information.
- e) In order to extend the life of product (lithium battery), it is best to charge within 3 months, and charge at least once within 6 months.

Cold Weather Usage

Cold temperatures (below freezing) can affect the unit's battery capacity due to chemical characteristics of the battery. If you'll be living off-grid in sub-zero conditions, we recommend you keep your unit in an insulated cooler, and connected to a power source (solar panels). The natural heat generated by the unit contained in an insulated cooler will keep battery capacity at its highest.

Recycle

Always return your used electronic products, batteries, and packaging materials to dedicated collection points. This way you can help prevent uncontrolled waste disposal and promote the recycling of materials.

Battery information

Your device has internal, non-removable, rechargeable battery. Do not attempt to remove the battery, as you may damage the device.

The battery can be charged and discharged over 2000 times, but it will eventually wear out of power.

Statement

All rights reserved. Reproduction in part without written permission is prohibited. All other trademarks are owned by their respective owners.

Features and specifications are subject to change without notice.



Email: info@flashfishtech.com

For more technical support, after-sales please feel free to contact us

Flashfish Team:

Website: www.flashfishtech.com (more contact info could
be found on our website)



MADE IN CHINA