

LEEL

USER MANUAL

PORTABLE DISINFECTOR CLEANER
MODEL – O3
V.19.0702

CONTENTS

INDICATION OF USE, CAUTIONS

PACKAGE CONTENTS

INTRODUCTION

USING YOUR O3 DEVICE

FAQ

TROUBLES SHOOTING

CARING YOUR O3 DEVICE

SPECIFICATIONS

WARRANTY AND SERVICE

INDICATION OF USE, CAUTIONS

Thank you for your purchase of the Leel O3 CPAP disinfecting device. We are committed to providing innovative and safe methods that can improve the health and well-being of our customers. This disinfecting device is proven activated oxygen (ozone) kills 99.99% of germs, bacteria and other pathogens. You can sanitize your CPAP machine, mask and tubing completely through a stream of controlled activated oxygen for approximately 20 or 30 minutes. The entire care free and dry sanitization process requires no water soap or liquid cleaning. Please feel free to contact us with any questions or concerns you might have.

CAUTIONS

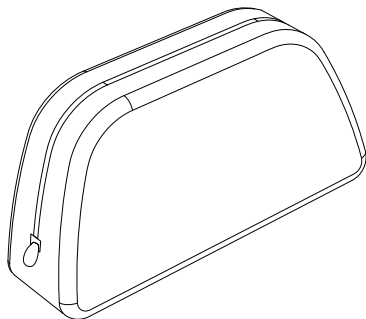
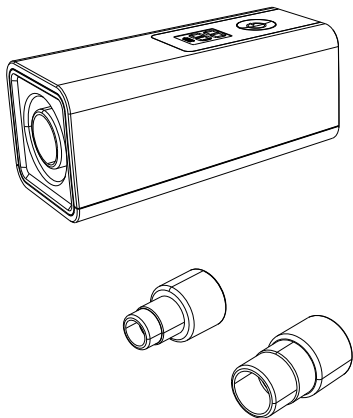
- To avoid electrocution, do not operate this device near water.
- Do not operate this device near fire.
- Keep away from children. It is not a toy!
- Do not use in explosive air environments, near gas vapors, or other flammables, etc.
- Do not place any items on top of O3 device, particularly flammables or ignitable items.

WARNING

- Before use, ensure that all packaging materials are removed and that there is no visible damage to the unit or accessories. When in doubt, do not use the unit and contact customer service
- Do not dismantle the O3 unit.
- Please be aware that there are sensitive electronics inside the unit. If you need to clean your O3 device, wipe with a damp cloth.
- This device design is based on the best sanitization performance. User is not recommended to change any settings.
- Read this user manual carefully before use the device and save this manual for future reference.

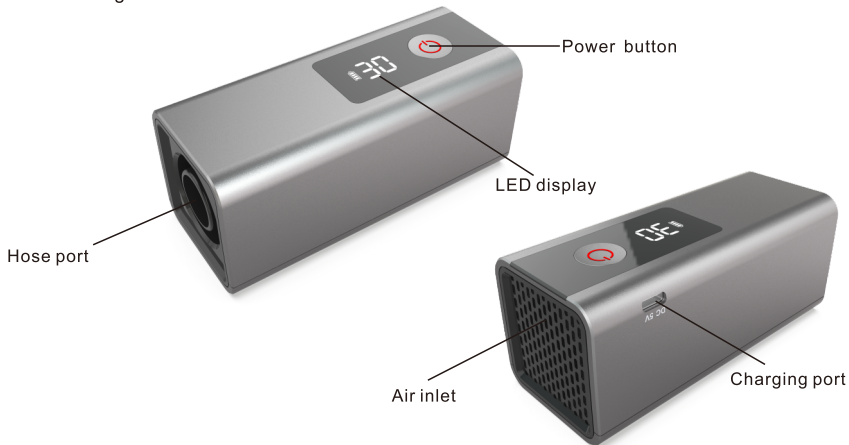
PACKAGE CONTENTS

- 1 x O3 Disinfector
- 1 x Travel Bag
- 1 x USB Charging Cable
- 1 x A/C Adaptor
- 1 x Heated Tubing Adapter
- 1 x AirMini Tubing Adapter
- 1 x User Manual
- 1 x T Shaped Adapter (Optional)



INTRODUCTION

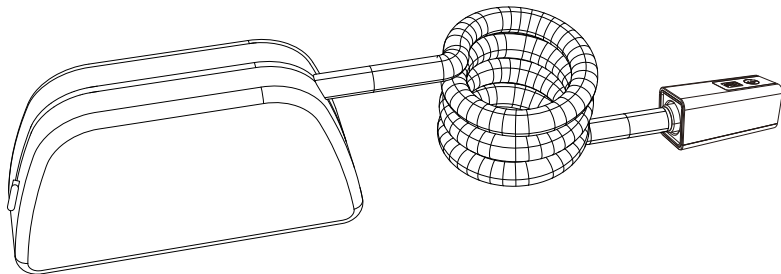
The O3 device is a general, Positive Airway Pressure (PAP) disinfecting unit with LED display & timer and is intended to be used in your home and in the travel. A user who uses Continuous Positive Airway Pressure (CPAP) or Obstructive Sleep Apnea (OSA) treatment can use the O3 device to have a daily disinfecting when one fails to follow daily cleaning procedures or wants the added benefit of a thorough disinfecting in addition to daily cleaning. The O3 device has optimized its sanitization cycle to 20 minutes including 15 minutes with activated oxygen and 5 minutes with fresh air blowing for daily clean; and sanitization cycle to 30 minutes including 20 minutes with activated oxygen and 10 minutes with fresh air blowing for twice a week clean.



USING YOUR O3 DEVICE

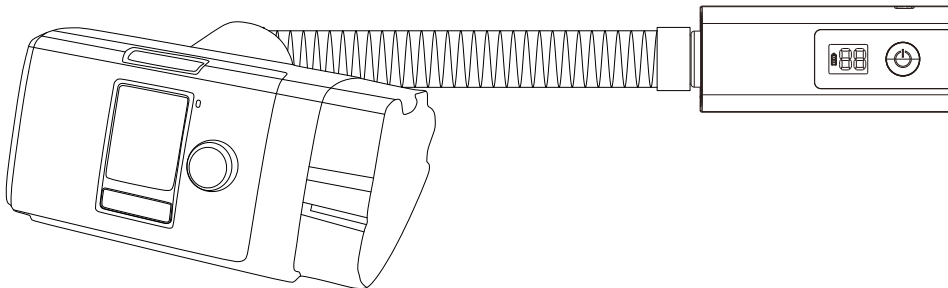
Clean Your Mask and Hose

- Disconnect the CPAP hose from your CPAP machine and connect the CPAP end of the hose with O3 device.
- Use the travel bag to enclose your full face or nasal mask.
- Press and hold the power button for 3 seconds till the buzzer beeps and the LED display will display 30 indicating that the 30 minutes disinfecting cycle has started. Press the power button once to switch to 20 minutes cycle and the display will show 20.
- Activated oxygen will stream for 20 minutes then the device will circulate fresh air for 10 minutes. The last 10 minutes of fresh air will remove most of the residual ozone which may be unpleasant to some users.
- After the programmed disinfecting cycle for 30 minutes, the device will automatically power off and sound off with 5 beeps, the LED display will be off as well.
- If for any reasons the user wants to manually turn off the power during the sanitization process, press and hold the power button for 3 seconds. The machine will sound off with long beep and the display will be off.
- After sanitization process, wait for 30 to 60 minutes before using the CPAP mask to insure the odor has dissipated.
- We suggest the user to select 30 minutes cycle if you clean your mask and hose twice a week and select 20 minutes cycle if you clean your mask and hose daily or every 2 days.



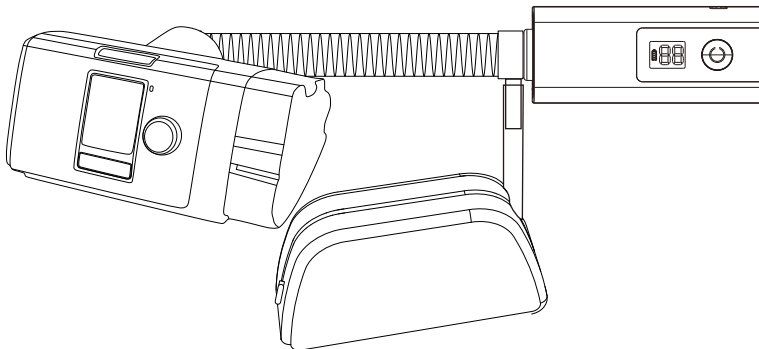
Clean Your CPAP Machine and Humidifier

- Please unplug and power off the CPAP machine before sanitization. For the CPAP machine configured with humidifier, drain water in reservoir before starting the sanitization process.
- Disconnect your mask from the CPAP hose and connect the mask end of the hose with O3 device.
- Press and hold the power button for 3 seconds till the buzzer beeps and the LED display will display 30 indicating that the 30 minutes disinfecting cycle has started. Press the power button once to switch to 20 minutes cycle and the display will show 20.
- Activated oxygen will stream for 20 minutes then the device will circulate fresh air for 10 minutes. The last 10 minutes of fresh air will remove most of the residual ozone which may be unpleasant to some users.
- After the programmed disinfecting cycle for 30 minutes, the device will automatically power off and sound off with 5 beeps, the LED display will be off as well.
- The sanitization process can disinfect both CPAP machine and humidifier in one sanitization cycle.
- If for any reasons the user wants to manually turn off the power during the sanitization process, press and hold the power button for 2 seconds. The machine will sound off with long beep and the display will be off.
- After sanitization process, wait for 30 to 60 minutes before using the CPAP machine to insure the odor has dissipated.
- We suggest the user to select 30 minutes cycle if you clean your machine twice a week and select 20 minutes cycle if you clean your mask and hose daily or every 2 days.



Clean Your Mask and Machine Simultaneously (Using the T Shaped Adapter, Optional)

- Disconnect your mask from the CPAP hose and connect the mask end with O3 device through the T shaped adapter. (Ensure the machine end of the hose is still connecting with your CPAP machine.)
- Use the travel bag to enclose your mask separately and insert the clear hose of T Shaped adapter into the bag, then get the bag zipped. (the clear hose is no need to hook to your mask and it is the channel to generate the ozone in)
- Press and hold the power button for 3 seconds till the buzzer beeps and the LED display will display 30 on the screen.
- Activated oxygen will stream for 20 minutes then the device will circulate fresh air for 10 minutes. The last 10 minutes of fresh air will remove most of the residual ozone which may be unpleasant to some users.
- After the programmed disinfecting cycle for 30 minutes, the device will automatically power off and sound off with 5 beeps, the display will be turned off as well.
- If for any reasons the user wants to manually turn off the power during the sanitization process, press and hold the power button for 2 seconds. The machine will sound off with long beep and the display will be off.
- After sanitization process, wait for 30 to 60 minutes before using the CPAP mask and machine to insure the odor has dissipated.
- We suggest the user to select 30 minutes cycle if you clean your mask and machine simultaneously.



How to Use Heated Tubing Adapter

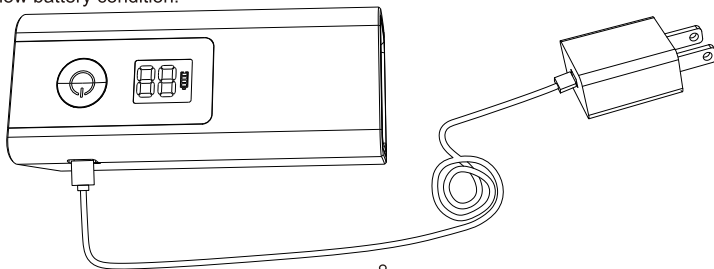
-When you have RESMED or RESPIRONICS heated tubing, use the heated tubing adapter included to connect your machine end of hose and O3 device while you clean your mask and hose.

How to Use RESMED Air mini Adapter

-When you have RESMED AIRMINI CPAP machine, use the Air mini tubing adapter included to connect your Airmini hose and O3 device in both ends.

Charging the Battery

- The O3 device has a built-in rechargeable 2600mAh battery. To charge the battery, connect the USB cable to the charging port and the A/C adapter. Plug the A/C adapter to a wall outlet.
- For the best battery performance and long battery life, please power off the device before charging. The battery indicator will be blink during the charging period.
- The time required to recharge the battery will vary depending on the ambient temperature and battery's remaining capacity. Normally the charging time is 2 to 2.5 hours and the battery indicator will be off when the battery is full charged.
- When the battery is running low, the battery indicator on the display starts blink. The device will continue to operate till the battery is completely drained. However, it may not complete several disinfecting cycles when the battery indicator is in low battery condition.



FAQ

1. Will my CPAP equipment will be wet from O3 device?

No. The O3 device disinfects with activated oxygen. No fluids or water are used in the process.

2. Does it clean the entire CPAP machine?

Yes. The O3 is designed to clean the entire CPAP machine and mask & tubing.

3. Does the O3 device need filter?

No. it requires no maintenance or filter replacement.

4. Is the O3 device harmful to me or the environment?

No. The activated oxygen generator is always kept as a safe level and never reaches the outside environment.

5. Does the O3 device work with heated hoses?

Yes. The compatible heated hose adapter is included.

6. How often should you use this device?

Twice a week is recommended.

7. Does the O3 device include the bag?

Yes. The zipper travel bag is included and it's for mask sanitization or to carry the device and accessories.

8. My CPAP mask feels oily, what should I do?

Some individuals with an oily skin type may need to hand-wash the mask occasionally before sanitization.

9. How many working times with a full charging?

This unit provides approx. 8 times of disinfecting cycles with a full charging.

10. Does the O3 device get tested and approved?

Yes. The O3 device was tested and approved by independent laboratory. Please visit leelpro.com for more information.

TROUBLES SHOOTING

Problem	Solutions(Check)
The device does not work	Connect the device to charger, plug the charger to power outlet. Turn on the device after charging.
Display is failed but device is working	Contact with the manufacturer
Device stops suddenly	Battery is used up. Get the device to be charged.
Device is not working with fully charged	if the USB cable is broken or if the A/C adapter is faulty. If does not solve the problem, please contact with the manufacturer for repair/ replacement.
The device does not stop automatically	Turn off the device manually and power on the device again. If does not solve the problem, please contact with the manufacturer for repair/ replacement.

CARING YOUR O3 DEVICE

- Before cleaning the device, always switch it off, unplug it.
- Do not immerse device in water or other liquids. Use a slightly damp cloth to clean the device. Do not use abrasive detergents.
- Do not touch the unit with wet hands while it is plugged in, do not allow any water to be sprayed onto the unit. The device must be operated only when it is completely dry.
- If you are not going to use the device for an extended period of time, disconnect it and store it in a dry and safe place.
- Wash your sanitizing bag when it feels oily.

SPECIFICATIONS

Model: O3 CPAP Disinfector

Dimensions: 120 x 50 x 50 mm

Weight: 210g

Battery: 2600mAh

Power: 4W

Output: AC 100-240V, 50/60Hz

Operation Conditions: 50°F to 95°F, 10-95% Relative humidity

Storage Conditions: -4°F to 122°F, 10-95% Relative humidity

Certification: FCC, FDA listed

WARRANTY AND SERVICE

Thank you for choosing Leel O3 disinfectant. We guarantee your investment in our product is a solid one. Extensive thought, research, planning and design goes into every product we make. High quality components combined with precision manufacturing allows us to maintain the highest possible production standards. All items are guaranteed against defects in materials and craftsmanship.

Leel's products come with a complete one-year parts and labor warranty. This warranty is non-transferable and proof of purchase required when seeking warranty assistance. Leel has outstanding quality control. If something should go wrong with any of our products, we will repair it free of charge. If the product cannot be repaired, we will replace the product. If the product has been discontinued, we will replace the product with either the newest version of said product or current equivalent.

This warranty shall not apply to:

1. Any defects caused or repairs required as a result of abusive operation, negligence, accident, improperly installation or inappropriate as outlined in the owner's manual.
2. Any LEEL product tampered with, modified, adjusted or repaired by any party other than LEEL.
3. Any cosmetic damage to the surface or exterior that has been defaced or caused by normal wear and tear.
4. Any damage caused by external or environmental conditions, including but not limited to transmission line/power line voltage or liquid spillage.
5. Any products used for rental or commercial purposes.
6. Any installation, setup and /or programming charges.

If any situation your purchase displays a manufacturer's defect during the warranty period and does not function correctly, please contact our service team

