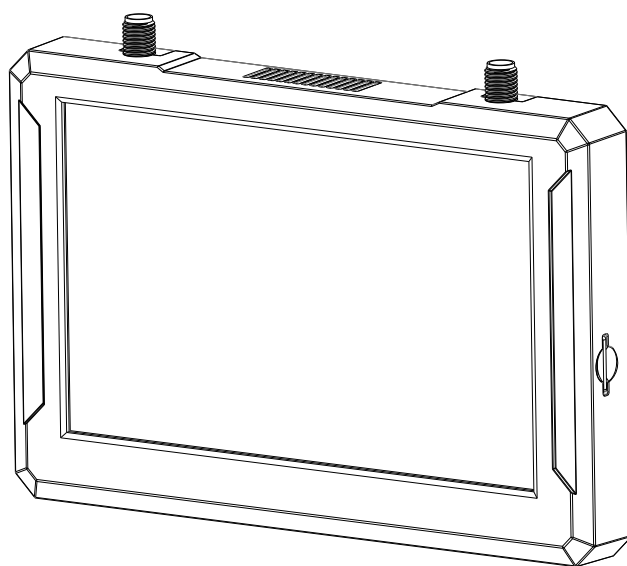




M5F

FPV Monitor USER MANUAL



Specifications

Specification	
	M5F
Screen	900 Lum High brightness LCD
Resolution	800*480
Receiver	5.8Ghz 48 CH SteadyView Fusion Receiver
Language	Chinese/English
Power	DC 6.5–25.2V/USB 5V/18650 Lion
Power Consumption	12V/520mA 6.24W
DVR	MJPEG 60FPS, SD Max 128Gb
Endurance	1.5 Hour (16850, 3000mAh)

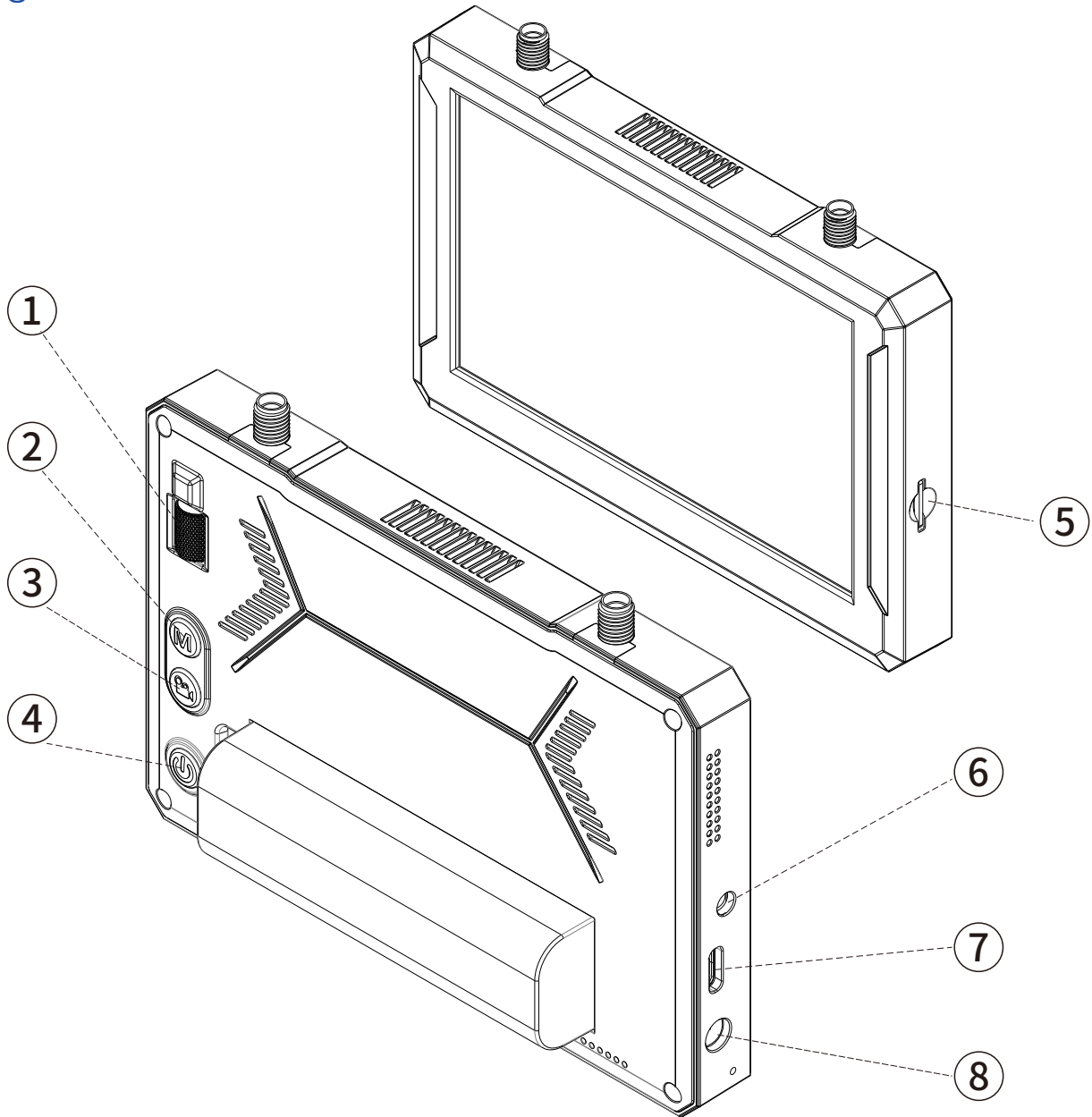
BAND/CHANNEL table

BAND/CH table								
BAND/CH	CH 1	CH2	CH3	CH4	CH5	CH6	CH7	CH8
A	5865M	5845M	5825M	5805M	5785M	5765M	5745M	5725M
B	5733M	5752M	5771M	5790M	5809M	5828M	5847M	5866M
E	5705M	5685M	5665M	5645M	5885M	5905M	5925M	5945M
F	5740M	5760M	5780M	5800M	5820M	5840M	5860M	5880M
R	5658M	5695M	5732M	5769M	5806M	5843M	5880M	5917M
L	5362M	5399M	5436M	5473M	5510M	5547M	5584M	5621M
Sensitivity	-98dBm±1dBm							
Antenna port	2 X SMA-K,50ohm							

Package Included

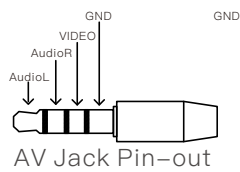
1. Monitor*1
2. 5.8GHz 2dB antennas*2
3. Video/Audio Cable*1
4. USB-C Cable*1
5. XT60-DC5.5*2.1 Power Cable*1
6. User Manual*1

Diagram



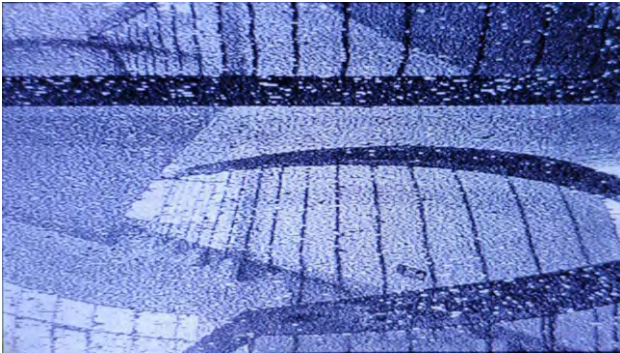
- 1.CH/BAND/Search
- 3.Record
- 5.SD card slot
- 7.USB C port

- 2.Menu
- 4.Power
- 6.AV IN/OUTPUT
- 8.DC PT(5.5*2.1mm)



Introduction

The SKYZONE M5F monitor is the high brightness 5 inch monitor integrated with steadyview receiver , the receiver merge two signals to one, avoid image tearing and rolling, make image more stable and clear The wheel with classic skyzone UI made the goggles easy to use, the monitor support 1 cell 18650 battery, easy to switch battery, also support 2–6S Lipo, easy to power on the field.



Diversity



SteadyView

Quick Start Guide

1. Install the antenna and 18650 Battery.
2. short press the power button then hold power button for 3s to power on,
3. short press the power button, then hold the power button 3s to shut down..

Band /Channel / Receiver mode setting

1. Press the wheel, then roll wheel to change channel, press the wheel again switch to Band setting mode, then roll the wheel to change the Band. Press wheel again to select diversity or Mix mode .
2. No wheel operation for 3 seconds, RF setting will quit the channel setting mode.
3. Hold the wheel to pop up search menu, press the wheel to start auto search, after searching all the frequency, receiver will work on the strongest signal. Roll the wheel to manually select the channels, hold the right wheel to quit searching.

Receiver Mode

MIX1: Mix1 mode provides basic fusion processing to reduce excessive intervention of the circuit on the picture

MIX2: Mix2 mode improves synchronization stability, especially under weak signal to maximize synchronization and lock video

MIX3: Mix3 mode enhances the synchronization signal on the basis of Mix2, maximizes the stability of the video image, and maximizes compatibility with other display devices. In this mode, the brightness of the video signal will be reduced

DIV: Div mode, the fusion processing will be turned off, and the receiver will work in the traditional diversity receiving mode, and the audio and video signal output corresponding to the channel with the highest RSSI intensity will be selected.



Sometime the auto search channel is not accurate, user may need manually select the channel.

Brightness

- Roll the wheel to adjust the brightness of the screen.

MENU

Press the Menu button to pop out the menu, roll the wheel to navigate, press to select.

Mode

- Short press the menu button to pop out menu.
- RF normal: this mode is normal 48 CH receive mode.
- RF Racing: this mode will make receiver only work on RaceBand.
- AVIN: When enable the AV IN mode . The NTSC and PAL system format can be supported to be automatically switched. The receiver module will be automatically turned off to save the power.
- Playback: in this mode, customer can review the DVR files.

PLAYBACK

- In playback mode, roll the wheel to choose the DVR, short press wheel to play and pause.
- When playing the DVR, roll the right wheel to fast forward or fast backward.
- Press the REC button to quit DVR .
-

Setting

Image

In image setting menu, customer have standard, bright, vivid, soft and 3 customized files to select. Customer can adjust Brightness, Contrast, Saturation, Hue and Sharpness to suit different environment . In 3 user 1/2/3, the image setting can not change in 4 pre-set files.

DVR

- REC button is record button and stop button.
- Build in DVR MJPEG encoding, SD card recommend Class10, SD card can support up to 128GB.
- SD card must be formatted into FAT32 , user can get into system menu to select the Format SD .
- The video recording function can be used in both the RF Mode and the AV IN Mode.
- By default, when recording the video (including: Recording the sound), the "sound recording" function can be turned off in the system menu, then the video signal can be recorded only.
- Automatic recording: enable this function , if the video signal has been detected, the recording will be activated automatically. The recording function can also manually be stopped by press the REC button.
<Auto&Follow> on, the DVR will auto start recording when video signal is on, and stop recording after 30s when signal is cut, if signal is on again, DVR will start recording again.
<Follow> Press the REC button to manually start recording, DVR will stop recording after 30s when signal is cut, but it will auto start recording when signal is on. press REC button again can manually stop rec to save SD card space.
- Cyclic recording: Overwriting of older recordings on or off (in case of storage space is wasted).
- The video recording File will be automatically divided into the multiple Files. In the menu system, the video length can be set as: 5 minutes, 10 minutes, 20 minutes and 30 minutes. The default video length can be set as 30 minutes / each File. • If the power has been suddenly disconnected in the video recording process, the DVR will be damaged.

Display

- In Display setting menu, customer can set the topbar OSD time, disable OSD time out, the OSD always on.
- In Display menu, adjust the vertical position of the RSSI.
- The Luminance of the screen and be adjust in the menu (8 stage, default is 5). Normally do not set the brightness too high unless the image is dim.
- In Display setting menu, customer can change the aspect ratio(4:3 or 16:9).

SYSTEM MENU

- Power supply menu, user can choose battery type(2S~6S) to make sure goggles show real capacity of the battery
- Voltage calibration gives user $\pm 0.9V$ range to adjust the voltage, when calibrate the voltage, use multimeter to measure the loaded voltage of the battery, then use shuttle wheel to adjust voltage.
- RSSI Calibration: use can calibrate the RSSI in this menu, to calibrate the RSSI, user need remove the antenna, and turn off the VTX, then select yes, when calibration is done, the goggle will beep.
- System Language can select in to: English, Chinese .
- Time and Date: User can adjust the time and date of the monitor, Press REC button to quit setting.
- Fan: User can adjust the fan speed, 16 stage to adjust.
- Factory Reset: User can reset the settings to factory reset.
- VRX Update: User can update the VRX firmware when copy the firmware to the SD card.
- DVR Update: User can update the DVR firmware when copy the firmware to the SD card.
- System Version : Monitor firmware, DVR Firmware, Serial Number will shown at this menu.

Firmware Update

Monitor

- 1, Connect monitor to the computer.
- 2, Hold the wheel then turn on the monitor, the usb cable will power the goggles, release the wheel, computer will automatically install the driver , computer will show a new removable storage .
- 3, copy the Firmware(A/B) File to storage . monitor will installing the update at the same time.

DVR

- 1, Take a SD card and format the card to FAT32.
- 2, Copy the DVR Firmware to the SD card , insert it in the goggles and turn it on.
- 3, Go to the system menu and choose DVR FM upgrade.

Receiver Firmware

- 1, Connect monitor to the computer.
- 2, Hold the wheel then turn on the monitor, the usb cable will power the goggles, release the wheel, computer will automatically install the driver , computer will show a new removable storage .
- 3, copy the receiver firmware to storage . receiver will installing the update at the same time.

This content is subject to change, download latest version from:

www.skyzonefpv.com