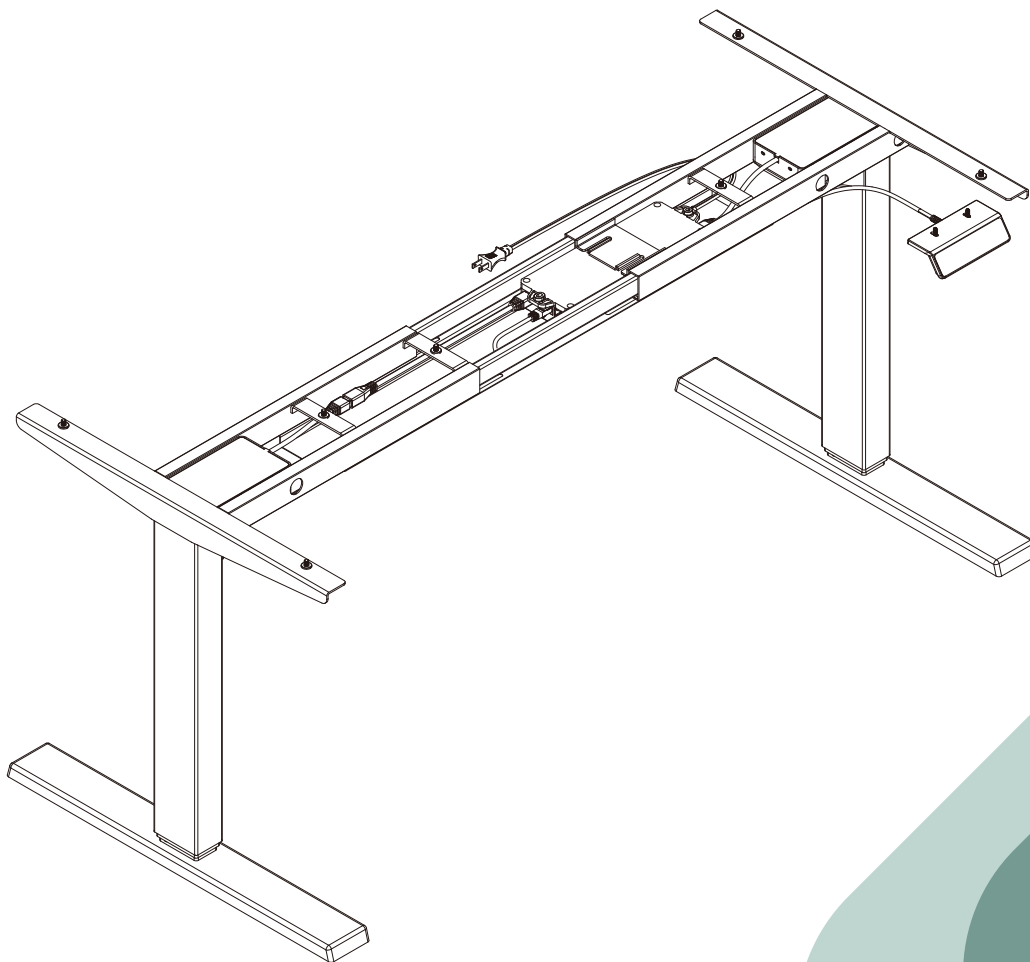


# Standing Desk Assembly Instructions

*Standing Desk Frame with Dual Motors*

## English



Email(EU):[Customerservice-EU@maidesite.com](mailto:Customerservice-EU@maidesite.com)

Website:[www.maidesite.de](http://www.maidesite.de)





















YouTube:Maidesite Office

Facebook:Maidesite Desk

Instagram: Maidesite Standing Desk

1.Safety & Warnings	P1
2.Parts List	P2-P3
3.Standing Desk Assembly	P4-P10
4.Handset	P11-P14
5.Q&A	P15

## Warm prompt

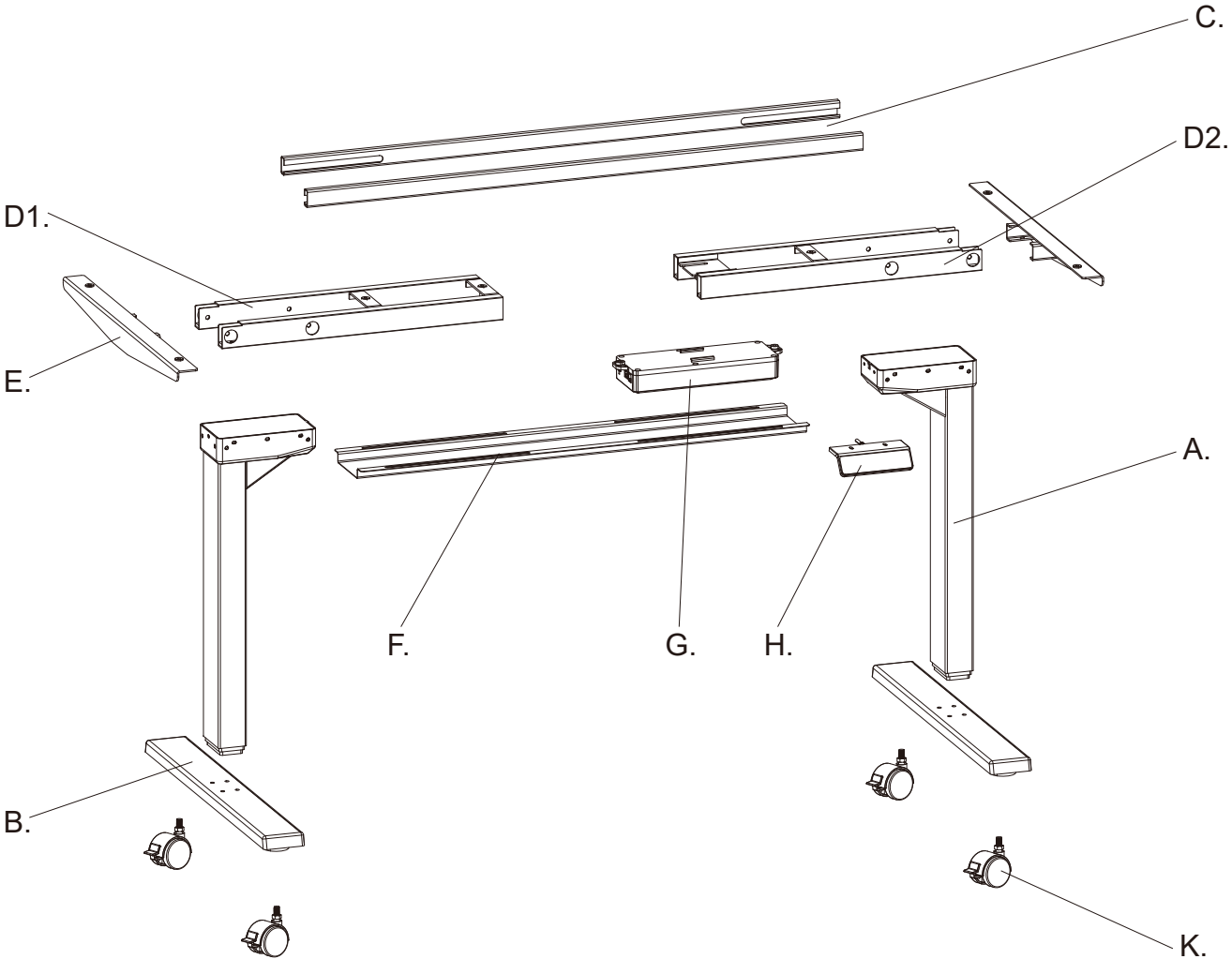
 <p>Make sure no obstacles are in the desk's path. Make sure the desktop is not touching any walls. Make sure all cords are appropriate length to accommodate the change in height.</p> 	 <table border="1"><tr><td data-bbox="1347 313 1540 376"> WARNING</td></tr><tr><td data-bbox="1347 376 1540 510">Pinch Point Keep hands and fingers clear.</td></tr></table>	 WARNING	Pinch Point Keep hands and fingers clear.
 WARNING			
Pinch Point Keep hands and fingers clear.			
 <p>Keep children away from electric height-adjustable desks, control units and handsets. There is a risk of injury and electric shock.</p>			
 <p>Keep all electrical components away from liquids.</p>			
 <p>Do not sit or stand on the desk frame. Do not crawl or lie under the desk frame.</p>			
 <p>Do not place any objects taller than 20" underneath the desk.</p>			
 <p>Do not open any of the components - the Legs, Control Box, or Switch. There is a danger of electric shock.</p>			
 <p>This product is designed with a duty cycle of 10% (2 min. on, 18 min. off).</p>			
 <p>In the event of a power outage or if the power cord is unplugged, a manual reset may be necessary - see USE section.</p>			

## USE/ LIABILITY

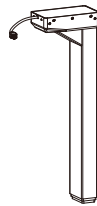
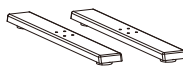
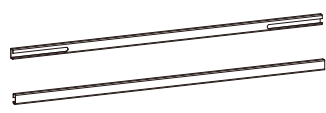
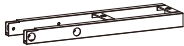








- ◆ This height adjustable desk has electric motors and is designed for use in dry work areas only.
- ◆ The desk height is adjustable so that it can be positioned at the most ergonomically suitable height.
- ◆ Any other use is at user's risk.
- ◆ Under no circumstances does the manufacturer accept warranty claims or liability claims for damages caused from improper use or handling of the desk frame.

# Parts List


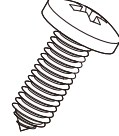
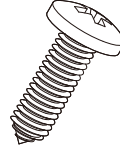
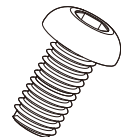
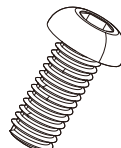
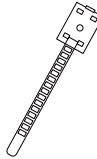

**30** min  
Assembly Time    Persons Needed    Self-provided Tools



## Parts List

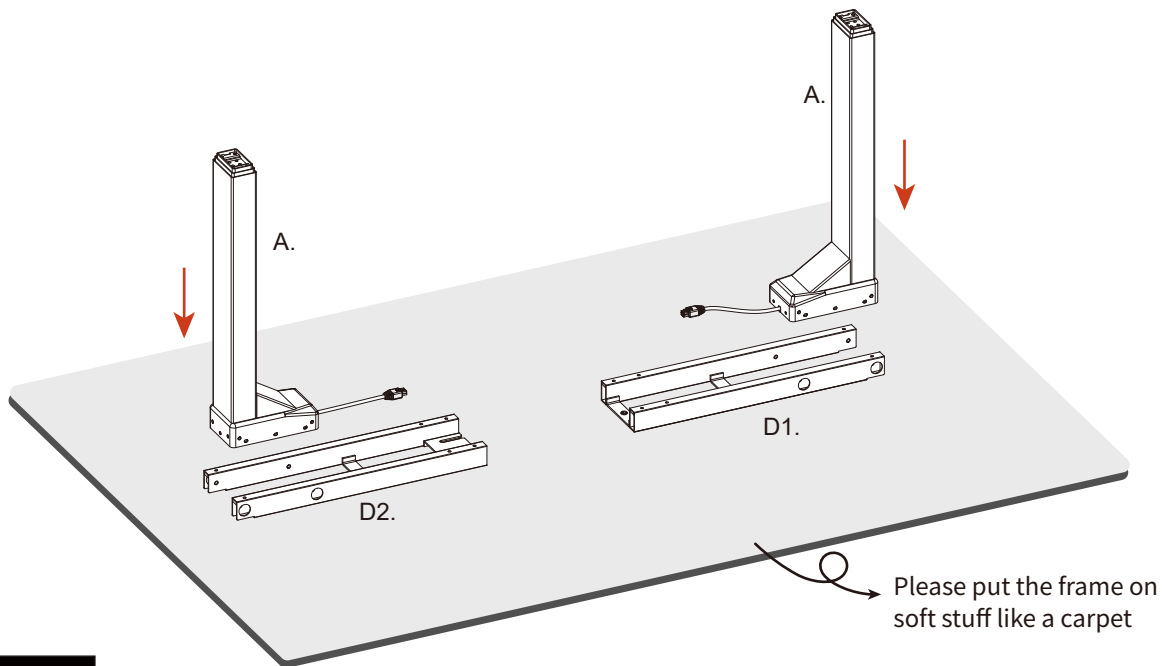
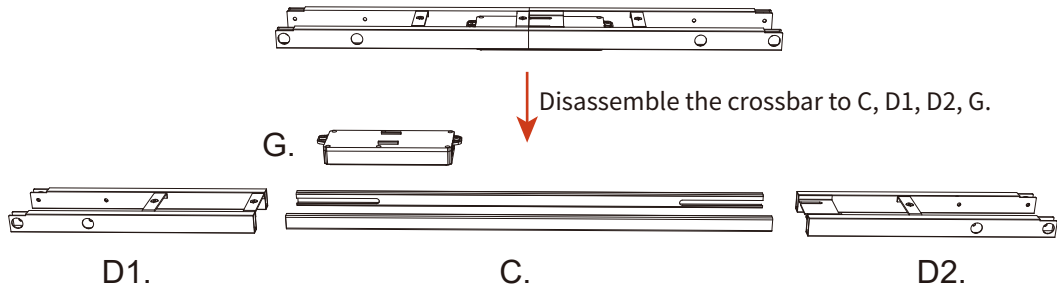
- |   |   |   |
|---|---|---|
| <p>A. </p> <p>Lifting Column ×2</p>      | <p>B. </p> <p>Foot ×2</p>  | <p>C. </p> <p>Central Rail ×2</p>      |
| <p>D1. </p> <p>Left Crossbar End</p>     | <p>D2. </p> <p>Right Crossbar End<br/>(with installation position)</p> | <p>E. </p> <p>Side Bracket×2</p>       |
| <p>F. </p> <p>Cable Management Cover</p> | <p>G. </p> <p>Control Box</p>  | <p>H. </p> <p>Handset</p>              |
| <p>I. </p> <p>Power Cable</p>          | <p>J. </p> <p>Adapter Cable</p>                                      | <p>K. </p> <p>Caster(Giveaway)×4</p> |

## Hardware List

- |   |   |  |
|---|---|--|
| <p>H1 </p> <p>M4 Allen Wrench</p>                | <p>H2 </p> <p>ST5*0.8*16<br/>Tapping Screw × 2</p> | <p>H3 </p> <p>ST5*0.8*20<br/>Tapping Screw × 7</p>  |
| <p>H4 </p> <p>M6*1*10<br/>Machine Screw × 16</p> | <p>H5 </p> <p>M6*1*14<br/>Machine Screw × 19</p>   | <p>H6 </p> <p>Cable Clip × 10</p> <p>H7 </p> <p>M14 Open End Wrench</p> |

# Standing Desk Assembly

## STEP 1: Assemble the lifting Columns



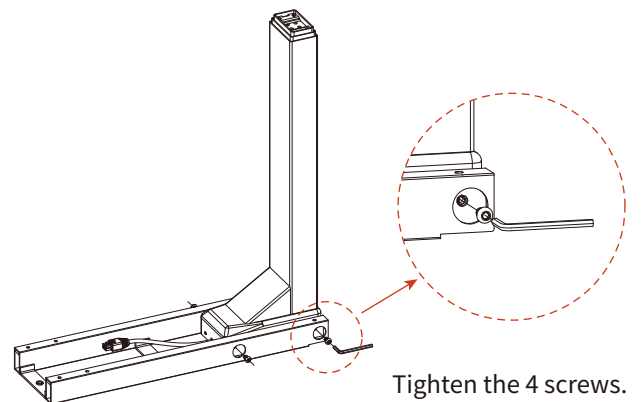
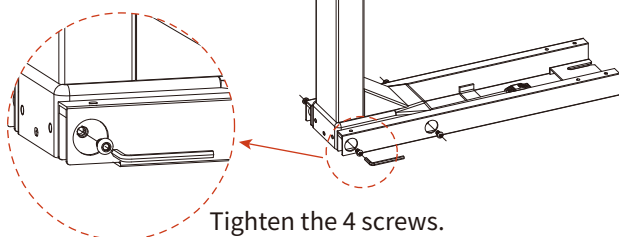
### Hardware List

M6\*1\*10  
Machine Screw

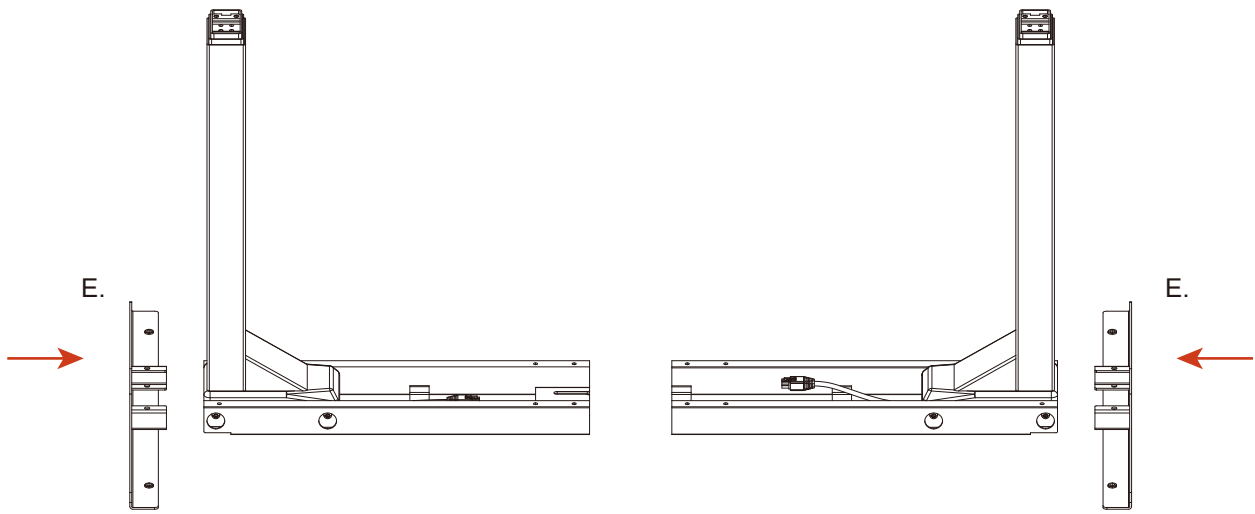
(H4)  ×8

M4 Allen Wrench

(H1)  ×1



## STEP 2: Install the Side Bracket

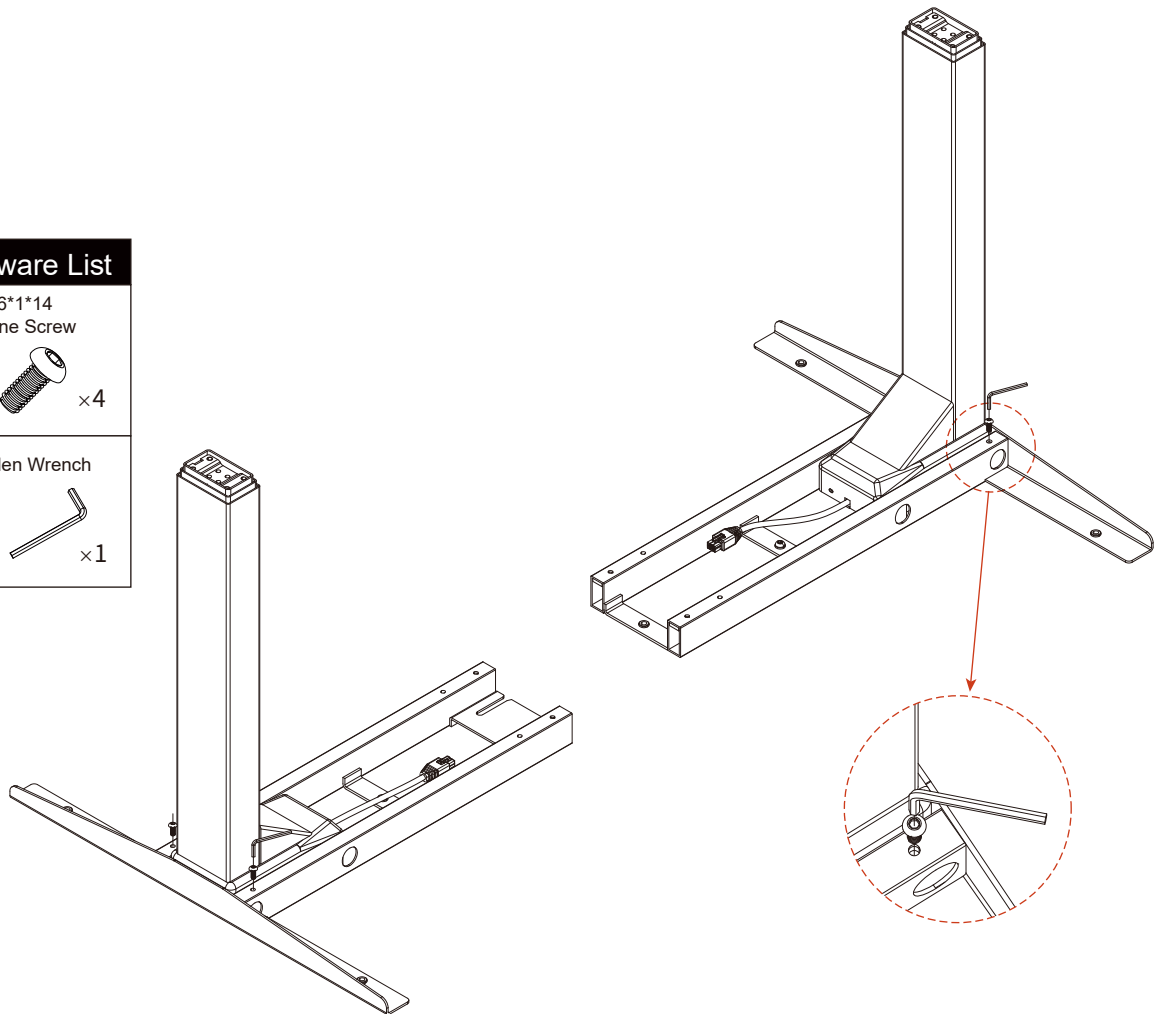
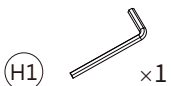


### Hardware List

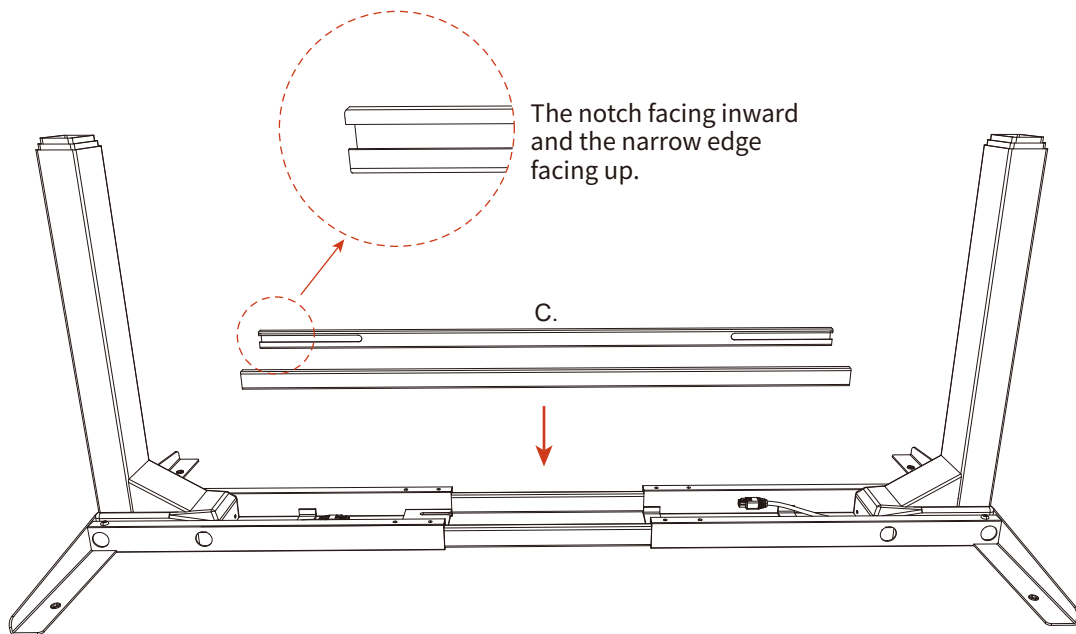
M6\*1\*14  
Machine Screw



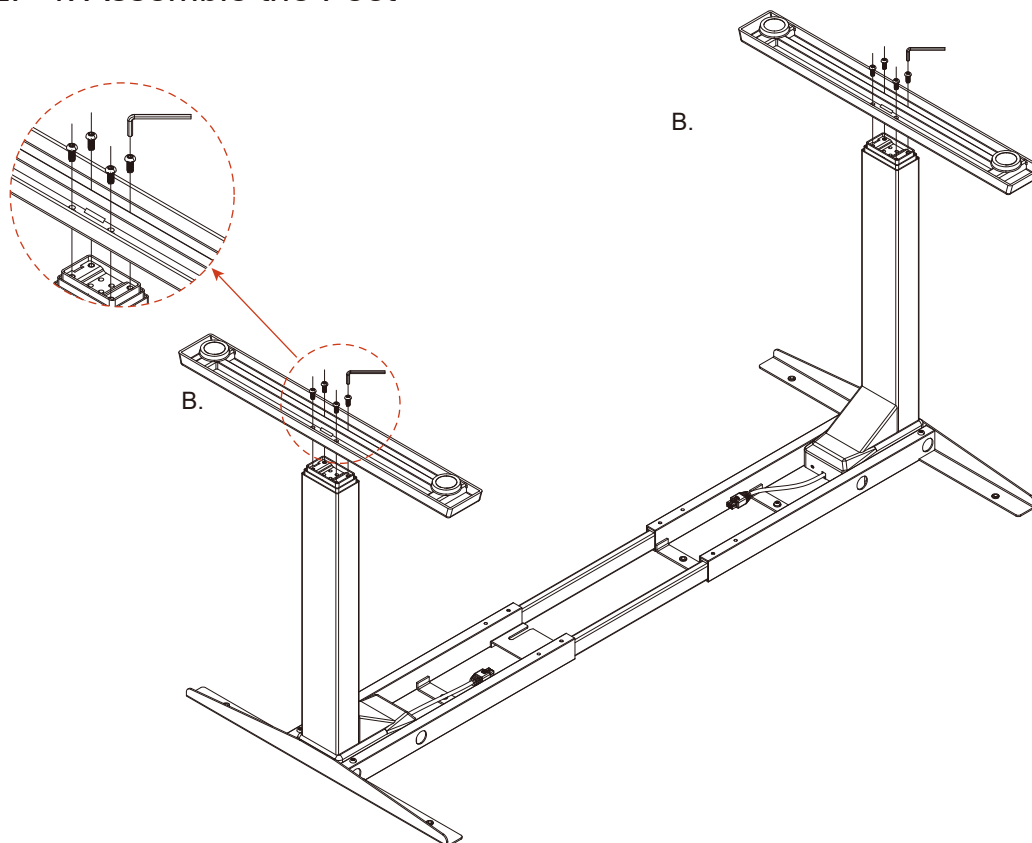
M4 Allen Wrench



### STEP 3: Assemble the Frame and Center Rails



### STEP 4: Assemble the Feet




#### Hardware List

M6\*1\*14  
Machine Screw

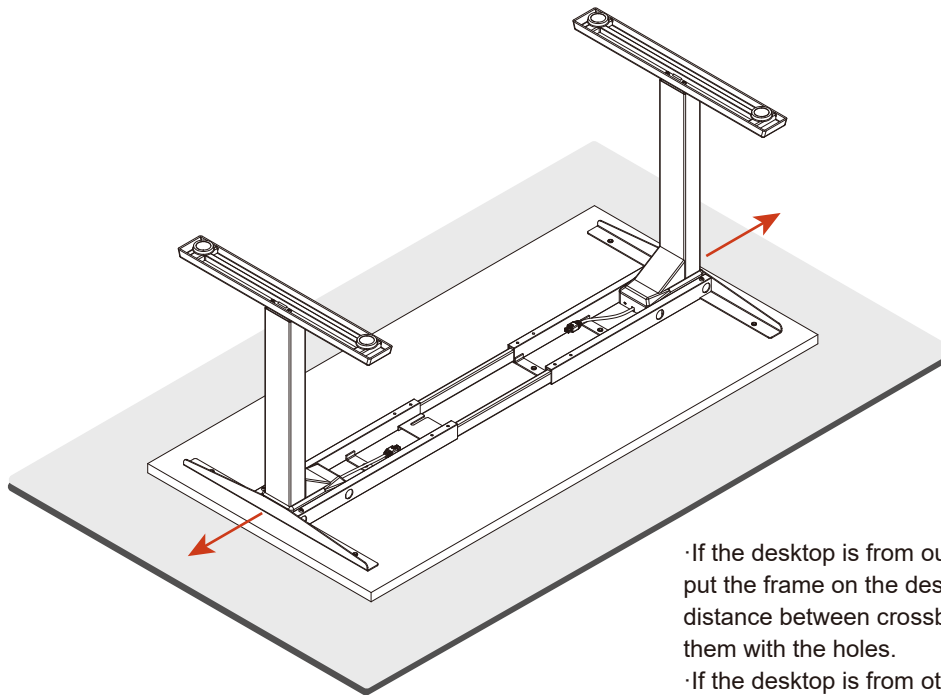
(H5)  ×8

M4 Allen Wrench

(H1)  ×1



## STEP 5: Assemble the Frame and the Desktop



·If the desktop is from our brand, please put the frame on the desktop, adjust the distance between crossbar ends and align them with the holes.

·If the desktop is from other brand, put the frame on the axis on the desktop and adjust both lifting columns to proper positions. (It's recommended that the distance between the side bracket and the edge of the desk be 5cm.)

### Hardware List

M6\*1\*14  
Machine Screw

(H5)  ×7

M4 Allen Wrench

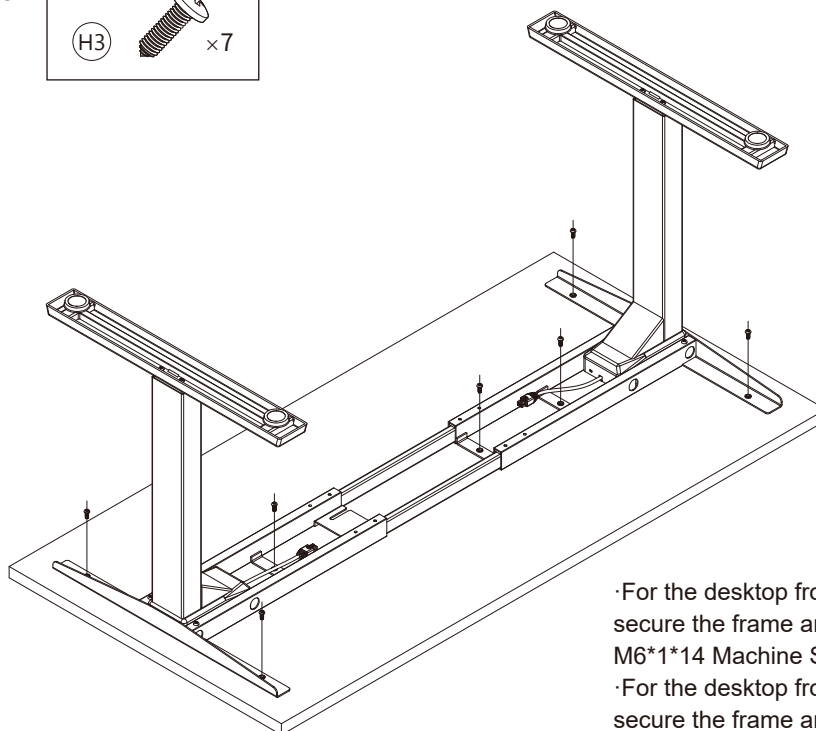
(H1)  ×1

OR

### Hardware List

ST5\*0.8\*20  
Tapping Screw

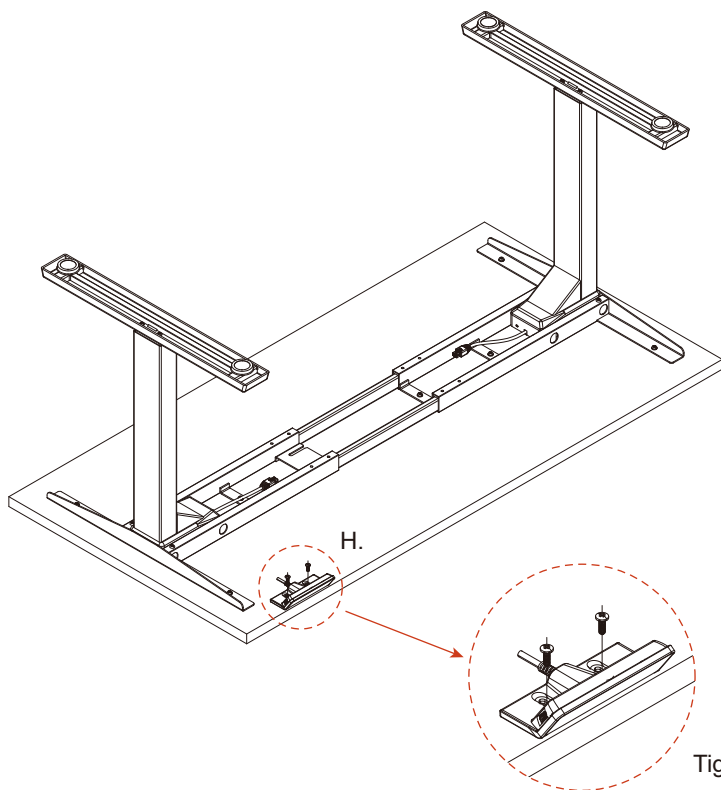
(H3)  ×7



·For the desktop from our brand, please secure the frame and desktop with 7 M6\*1\*14 Machine Screw socket head cap screws.

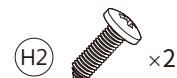
·For the desktop from other brand, please secure the frame and desktop with 7 ST5\*0.8\*20 tapping screws.

## STEP 6: Install the Handset



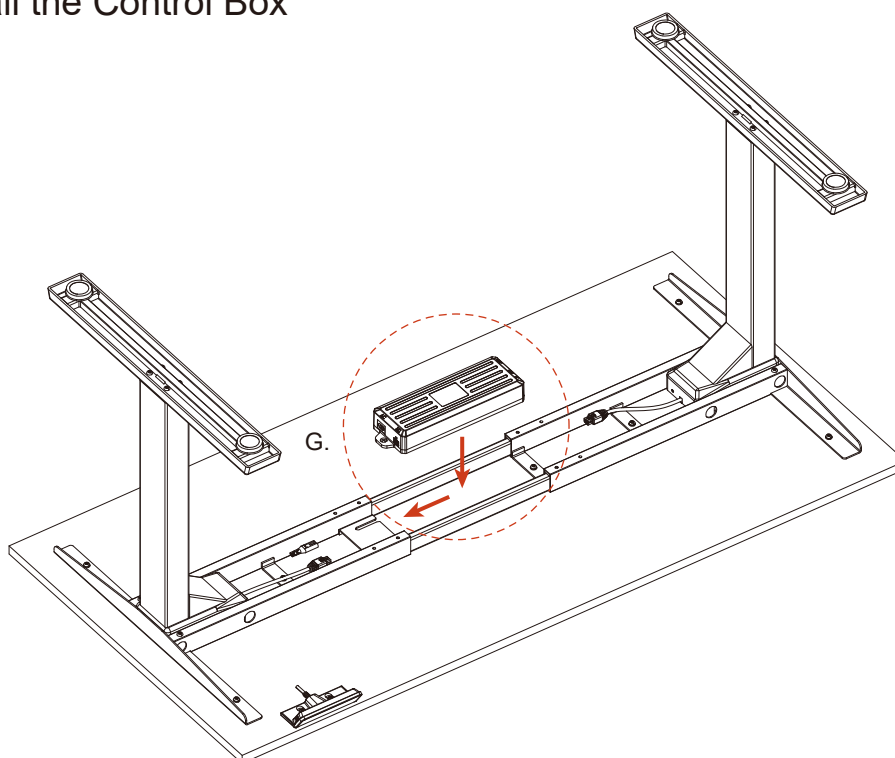
### Hardware List

ST5\*0.8\*16  
Tapping Screw



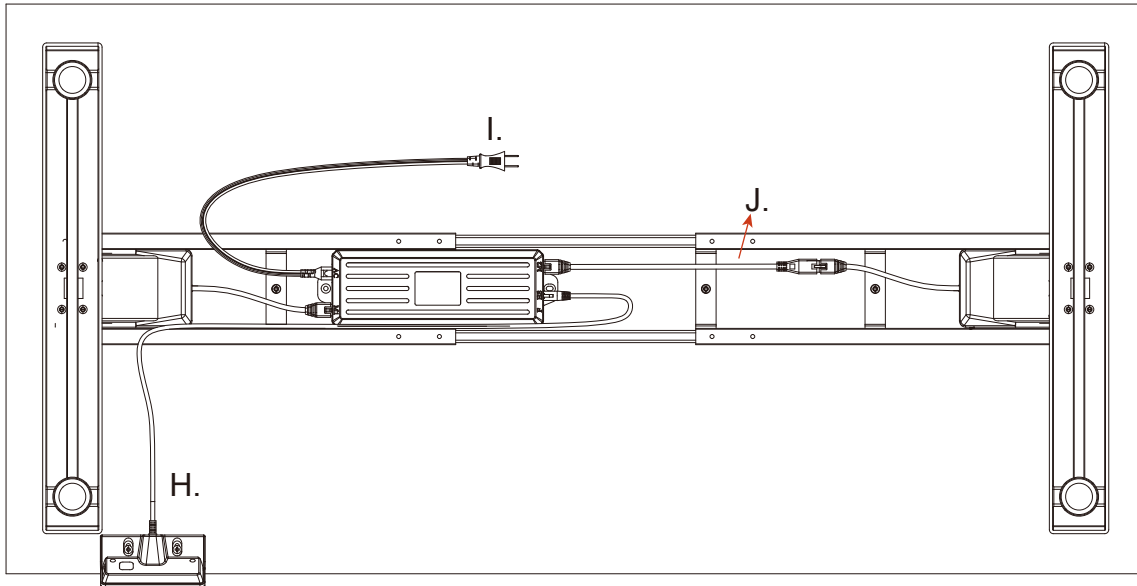
For the desktop from our brand, please secure the handset to the pilot holes with 2 ST5\*0.8\*16 self-tapping screws.  
For the desktop from other brand, please secure the handset to a proper position with 2 ST5\*0.8\*16 self-tapping screws.

## STEP 7: Install the Control Box



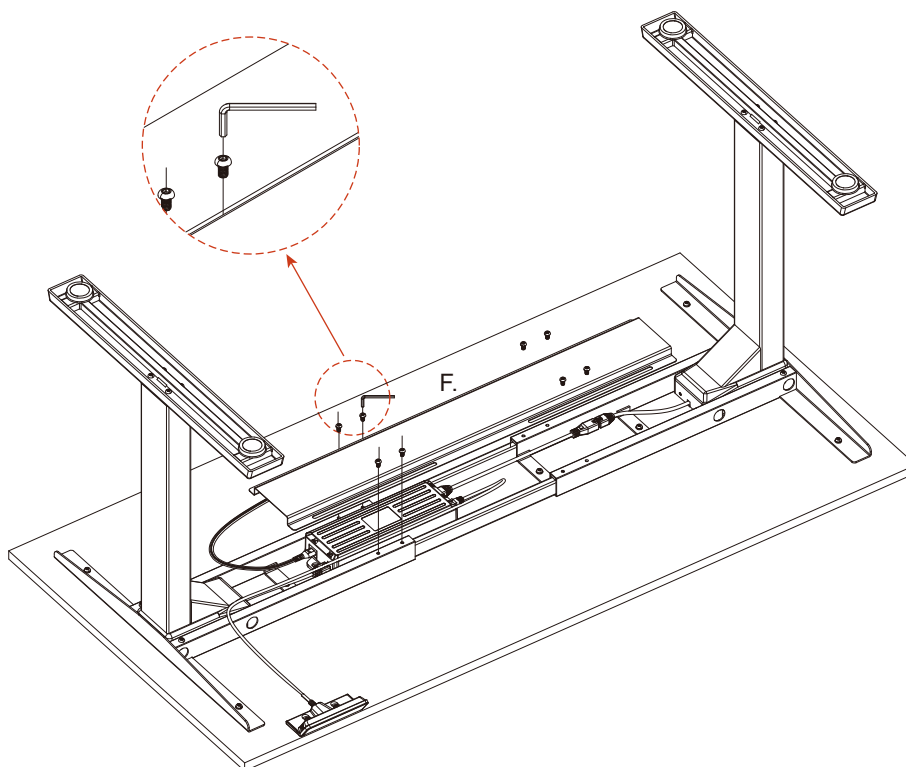
Insert the clip on the bottom of the control box into the installation position of the right crossbar end (with the installation position), as shown in the picture.

## STEP 8: Connect Wires



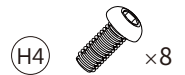
Connect the power cable, wires on the handset, extension cable and the cable on lifting column to corresponding ports.

## STEP 9: Install the Cable Management Cover

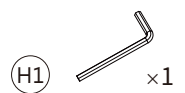


### Hardware List

M6\*1\*10  
Machine Screw



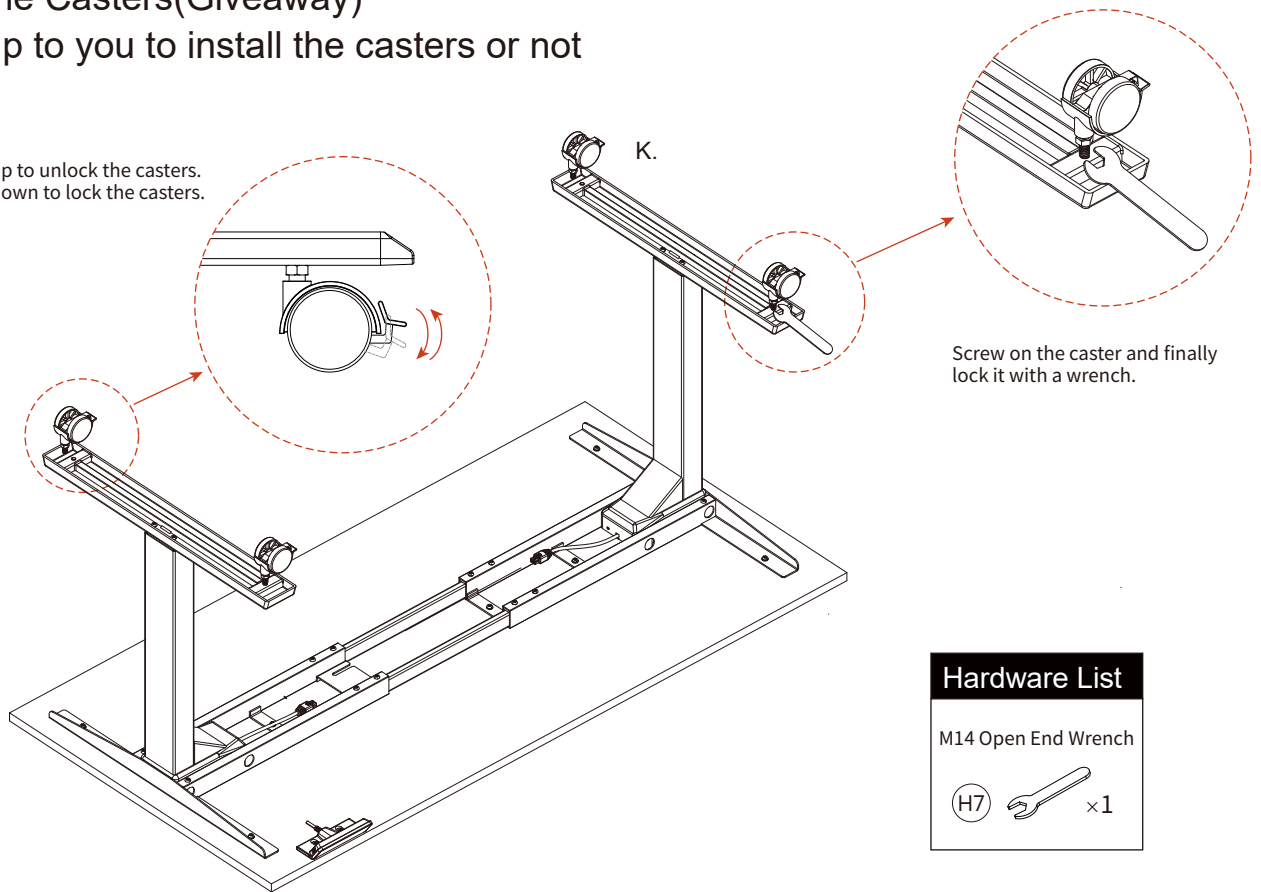
M4 Allen Wrench



## Install the Casters(Giveaway)

----It's up to you to install the casters or not

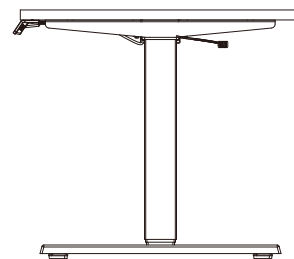
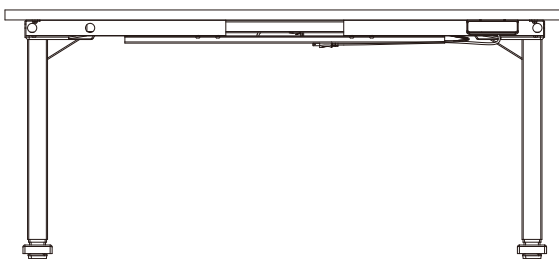
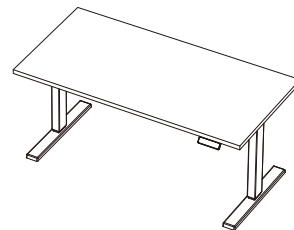
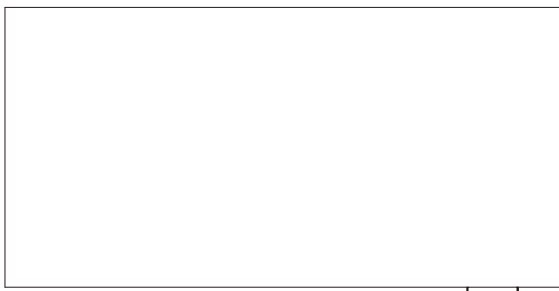
Pull the button up to unlock the casters.  
Pull the button down to lock the casters.



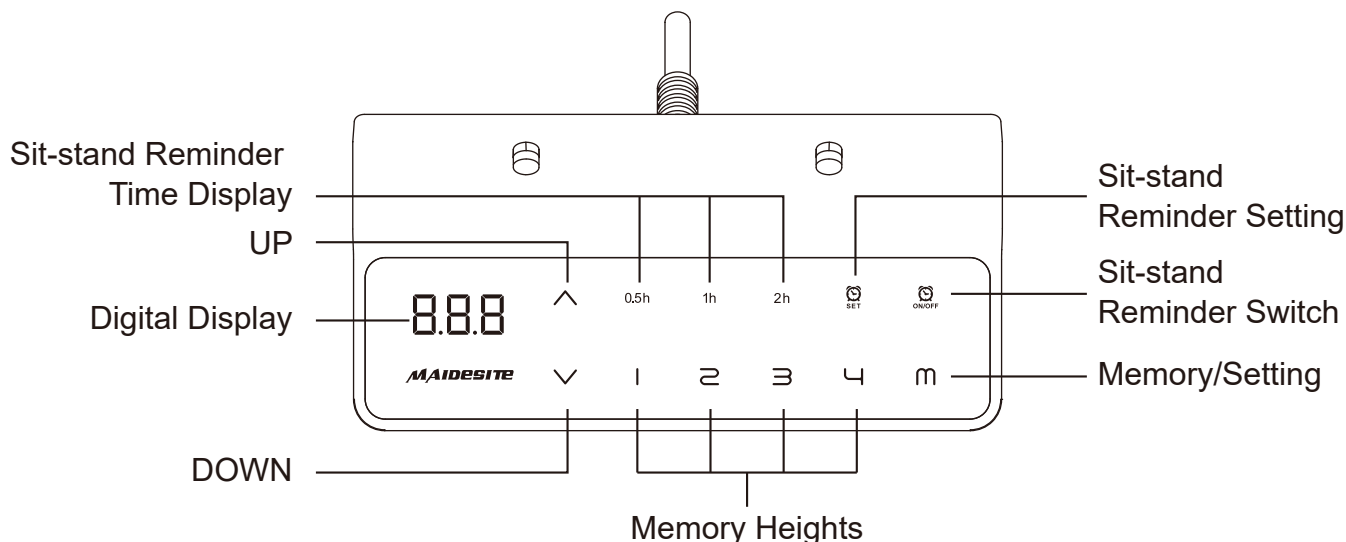
Screw on the caster and finally lock it with a wrench.

Hardware List	
M14 Open End Wrench	
 	×1

STEP 10: Upright the desk and plug it in to proceed the running check. 



Proceed the running check according to the instruction of the handset according to PAGE 11.



## CAUTION

Please ensure that no objects (walls) will interrupt the movement of the desk, and all cables of relevant devices are sufficiently long.

## RESET

### 1. Enter the RST mode:

Hold the 'DOWN' key for 5s while the desktop is at the lowest position (otherwise lower the desktop first). The digital display shows RST. Now the system enters RST mode.

### 2. Quit the RST mode:

Hold the 'DOWN' key again until the desktop moves down slightly and then moves up slightly. The display shows the current height. The system quits RST mode.

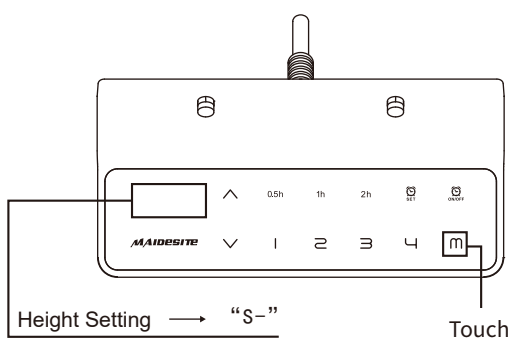
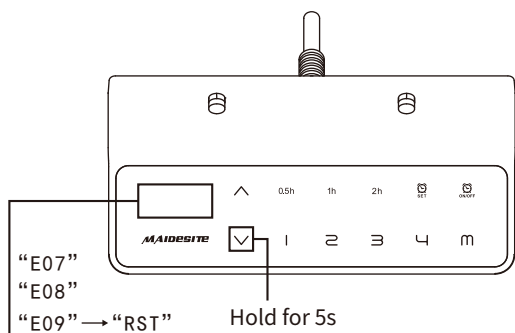
## Reset Exception Protection:

### Condition

The digital display shows error E07/E08/E09  
Disconnecting/Reconnect power, the error still remains.  
Pressing any key has no effect.

### Operation

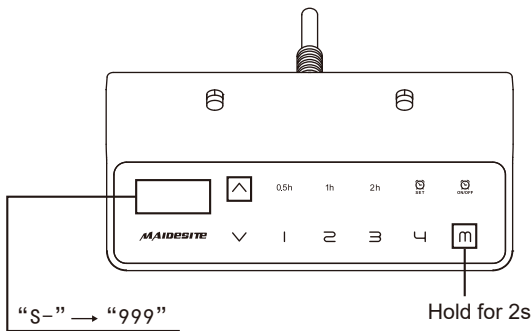
Hold the 'DOWN' key for 5s, the digital display shows RST.  
Release and hold the 'Down' key again to reset the desk.  
(Note: This operation is also applicable to forced reset.  
Please lower the desk to the lowest point first when forced reset.)



## Set the upper limitn:

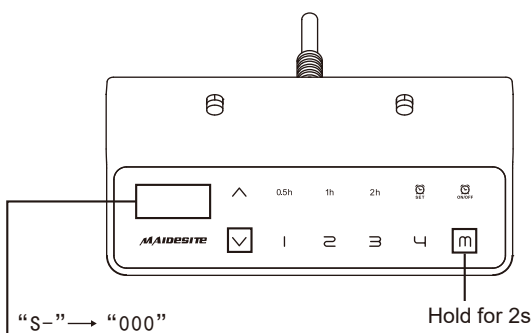
Touch the 'M' key: the display shows 'S-'. Touch the 'UP' key: the display flashes. Touch and hold the 'M' key for 2s until the display shows '999'. The upper limit is now stored.

The next parts can be set according to your preference.



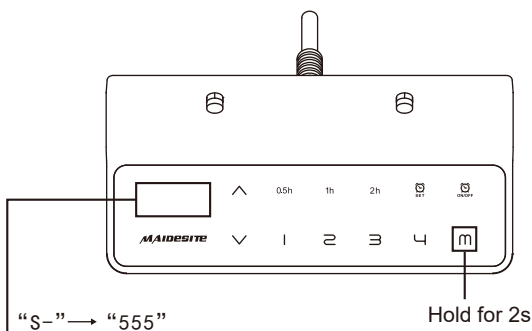
### Set the upper limit:

Touch the 'M' key: the display shows 'S-' .  
 Touch the 'UP' key: the display flashes.  
 Touch and hold the 'M' key for 2s until the display shows '999'. The upper limit is now stored.



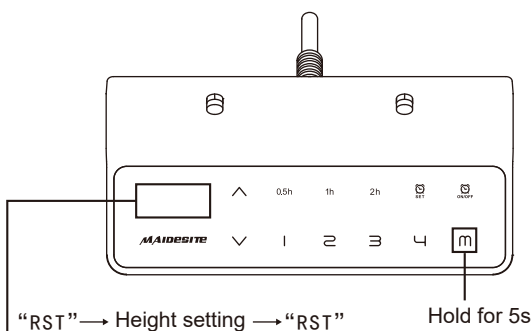
### Set the lower limit:

Touch the 'M' key: the display shows 'S-' .  
 Touch the 'DOWN' key: the display flashes.  
 Touch and hold the 'M' key for 2s until the display shows '000'. The lower limit is now stored.



### Delete height limits:

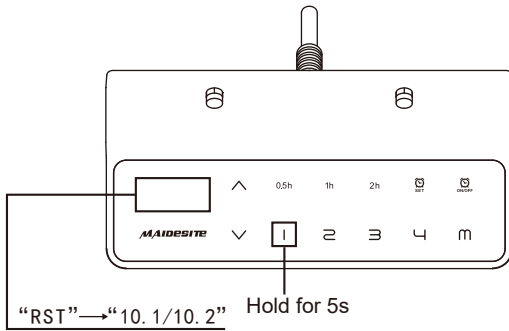
Touch the 'M' key: the display shows 'S-' .  
 Touch and hold the 'M' key for 2s until the display shows '555'. Both upper and lower limits are deleted.



### Change the RESET height:

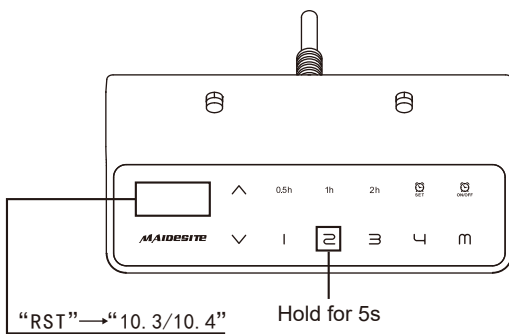
Enter the RST mode (see instructions above).  
 Touch and hold the 'M' key for 5s: the display shows the reset height, and the screen flashes.  
 Touch and hold the 'UP' key or 'DOWN' key to change the value.  
 The display switches back to 'RST' if no operation is detected for 5s, indicating the change is successful.  
 Quit the RST mode (see instructions above).

The next parts can be set according to your preference.



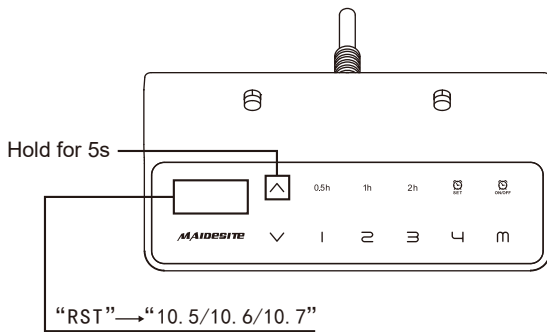
### Switch the movement mode of the memory height:

Enter the RST mode (see instruction above).  
Touch and hold the '1' key for 5s, the display shows one of the following:  
'10.1': One-touch movement (Default)  
'10.2': Constant-touch movement.



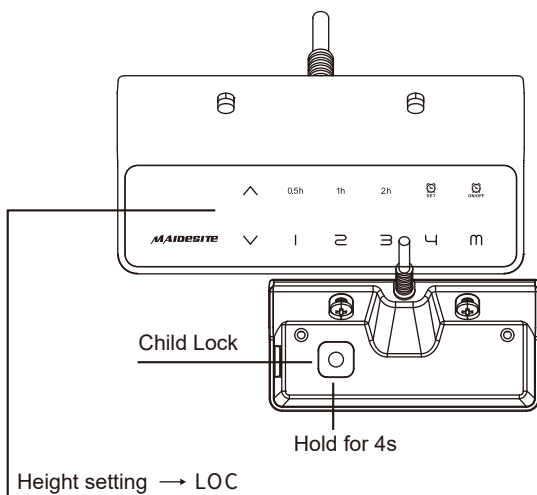
### Change height unit(cm/inch):

Enter the RST mode (see instruction above).  
Touch and hold the '2' key for 5s, the display shows one of the following:  
'10.3': height display in cm (Default),  
'10.4': height display in inch.



### Change the anti-collision sensitivity:

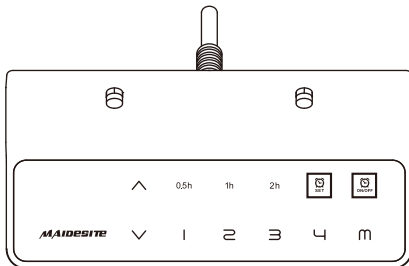
Enter the RST mode (see instruction above).  
Touch and hold the 'UP' key for 5s, the display shows one of the following:  
'10.5' : Detect 10kg force (Default, most sensitive)  
'10.6' : Detect 15kg force  
'10.7' : Detect 20kg force.



### Child Lock

Touch and hold the Child Lock key for 4s: the displays shows 'LOC', and all keys at front are locked.  
Touch and hold the Child Lock key again for 4s to unlock.

The next parts can be set according to your preference.



### Sit-stand Reminder:

First time use: The sit-stand reminder is active by default and the default time is 30 minutes. Touch the 'ON/OFF' key to turn on or off the sit-stand reminder.

Touch the 'SET' key and then choose one of the reminder time.

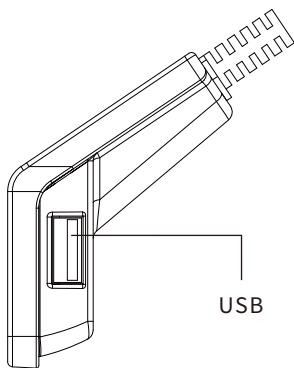
Please make sure that the sit-stand reminder is ON before setting the time.

When the reminder time runs out, the hand control vibrates.

Touch any key to stop the vibration and turn off the reminder.

When the height of the desk is greater than 100 cm, the reminder will stop the timing and reset. When the height of the desk is less than 100 cm, the timing will restart.

Note: When there is no action, the reminder will be turned off after about 30 seconds of vibration



### USB Charging port:

Output: DC 5V/0.8A



## Q&A

1.If you encountered the following problem, problem, please try RESET:

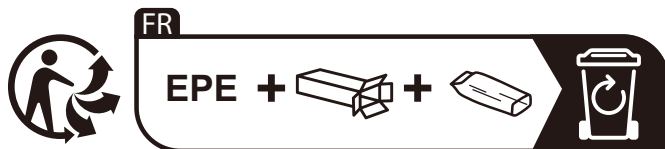
- Abnormal Operation
- The display shows RST.
- The display shows an error message(E07, E08), but all cable connections are normal.

2.The display shows H01(HOT): unplug the power, and let the system cool down for 20 minutes.

3.When the desk raises or lowers only for a short time, please make sure that the desk is stable and does not wobble. If that does not work, please refer to "Anti-collision Sensitivity Setting" on PAGE 13 and adjust the sensitivity to "10.7".



**Prolinx GmbH**  
**Brehmstr.56,40239 Duesseldorf**  
**Germany**  
**Jie Xue Email: eu@eulinx.eu**



**MADE IN CHINA**