

Petnanny

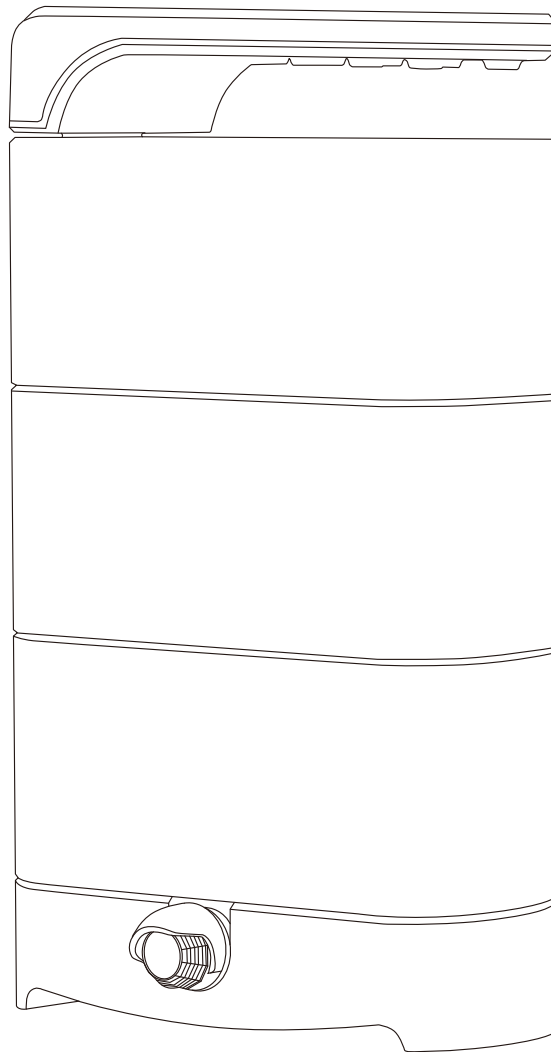
E-mail: Support@petnannystore.com

Website: www.petnannystore.com



HG-979 USER MANUAL

HYGGER REPTILE FILTER



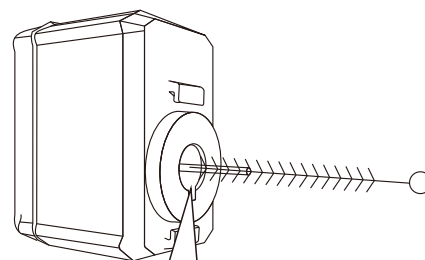
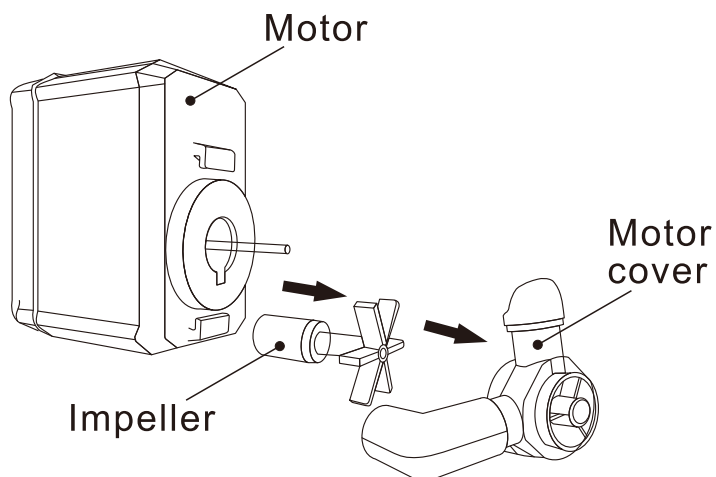
Hygger reptile filter is a new design for aquariums. Please read this manual carefully before using and follow this user manual strictly.

1.PARAMETER

Model	Power	Q Max	Application
HG-979	8 W	150 GPH (580LPH)	low water level(1.18-5inch)

2.MAINTENANCE

- Wash the filter media every two weeks;
- Wash the whole reptile filter monthly, paying particular attention to clean the rotor and filter media;



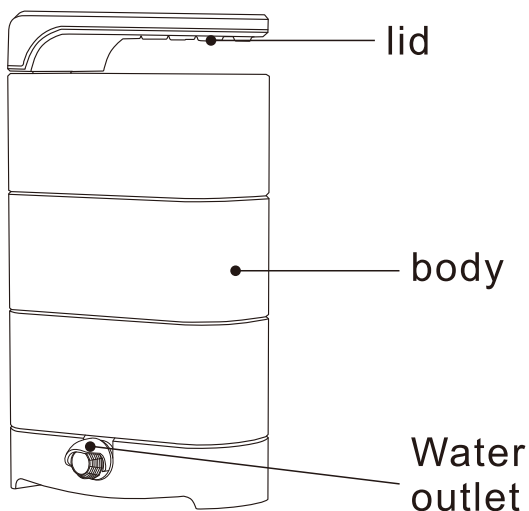
Caution

Please do not use too much force inside the motor.

Instructions to wash the motor

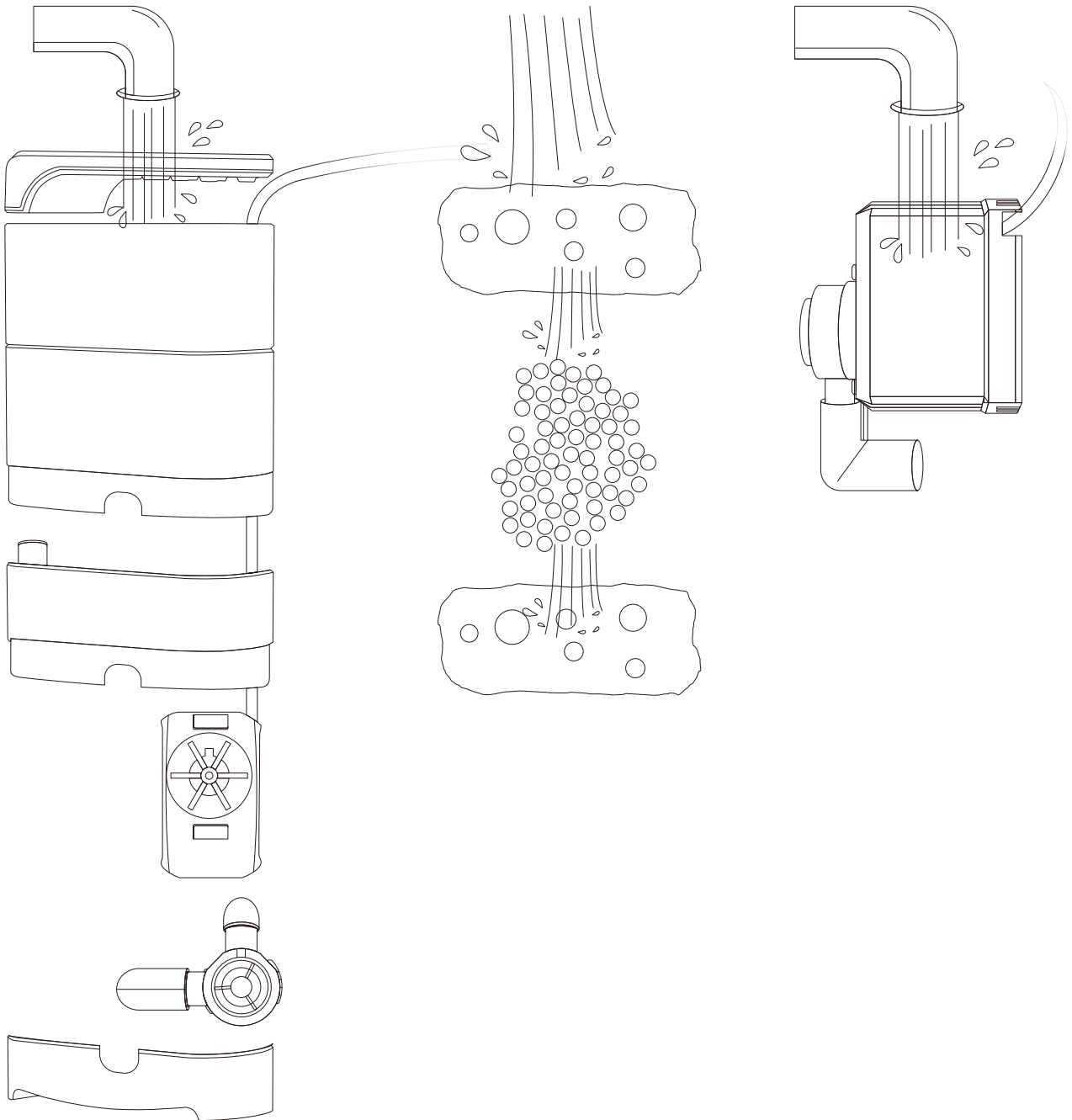
1. Take off the motor cover and remove the impeller unit from the motor.
2. Wash the impeller unit with water. Clean the inside of motor with a pipe brush and put it back in the opposite direction .
 - Replace the filter media every 2~3 months.

3.PRODUCT INSTRUCTION

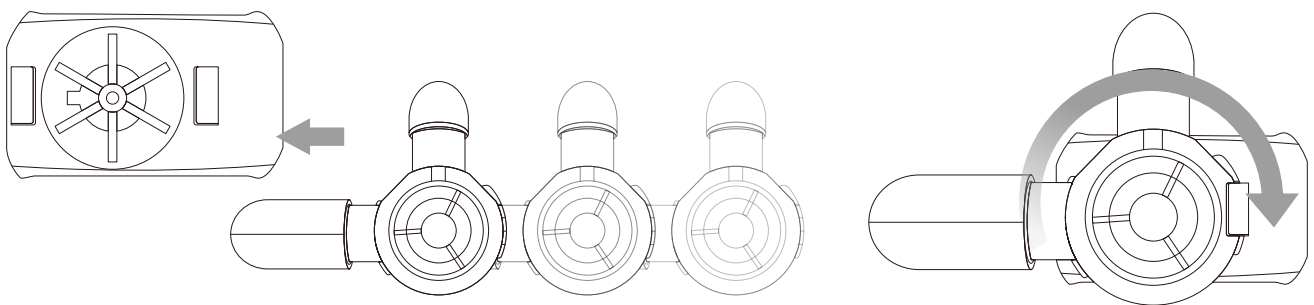


1 Rinse off all parts with tap water before setting up.

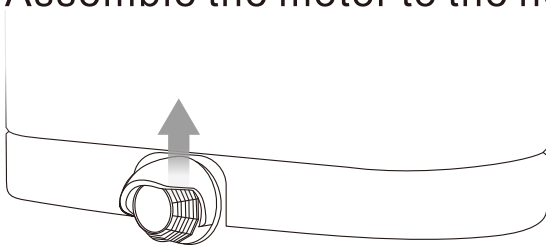
NOTE: Please keep the socket away from water.



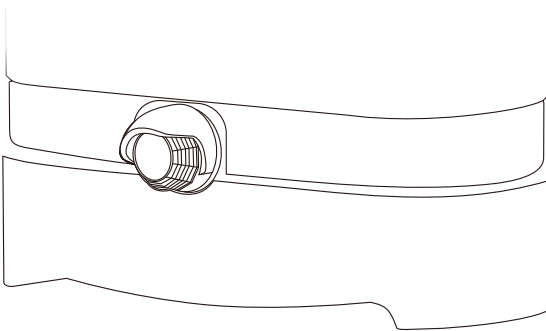
2 Rotating motor cover to the motor



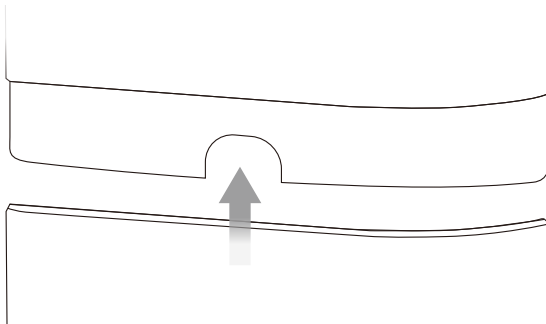
3 Assemble the motor to the housing



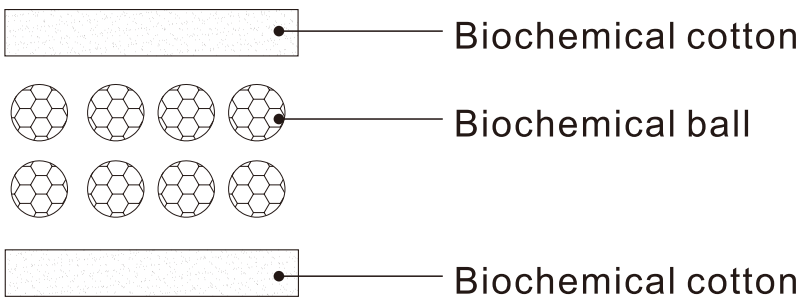
4 Assemble the base of the reptile filter.



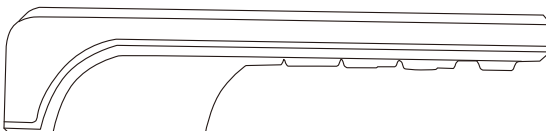
5 Assemble the body of the reptile filter.



6 Put the filter media in the body as shown in diagram above.



7 Assemble the lid of the reptile filter.



8 Put the reptile filter in the tank then plug in the power cable.

NOTE: The minimum water level line should cover the water outlet. In order to avoid pump damage, please do not let the water level go lower than the minimum water level.

NOTE: The minimum water level is cover the water outlet (above 1.18 inch).

4. PACKAGE INCLUDED:

- 1× Power filter
- 1x Biochemical ball
- 2x Biochemical cotton
- 1x suction cup
- 1×User manual

5.TROUBLESHOOTING

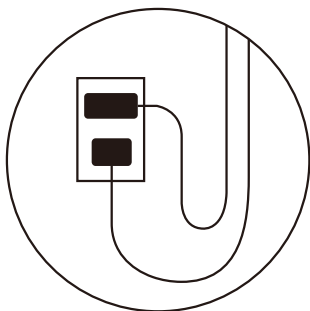
Symptom	Reasons	Solutions
Motor does not work	<ol style="list-style-type: none"> 1.Check if debris is stored around impeller or magnet of impeller. 2.Check if the impeller unit is assembled correctly after cleaning. 3.Check for fine grain sand if using sandy substrate. 4.Check if impeller unit is worn out. 5.In some cases, the impeller inside the pump does not rotate due to phenomenon specific to magnetic pump. 	<ol style="list-style-type: none"> 1.Clean the motor. 2.Shut the power and re-set the impeller. 3.Change to larger particle sand or ensure the filter intake is not near sand. 4.Exchange the impeller unit. 5.Try inserting and pulling out the plug several times. The magnet will move from neutral position and motor will start to work.
Water does not flow. Water flow is weak. Unusual noise.	<ol style="list-style-type: none"> 1.Check if water level is above the minimum water level. 2.Check if any debris is left in the impeller or motor. 3.Check if impeller is set properly to motor 4.Check if debris are stored in the housing. 	<ol style="list-style-type: none"> 1.Add water to come above the minimum water level. 2.Clean the impeller or motor. 3.Re-set the impeller 4.Clean regularly or exchange filter media.
Water does not become clean	<ol style="list-style-type: none"> 1.Check if you have washed gravel before using 2.Check if filter media is too dirty. 	<ol style="list-style-type: none"> 1.Clean the gravel. 2.Change the filter media.



6.CAUTION: To guard against injury, basic safety precautions should be observed including the following:

I. DANGER-To avoid possible electric shock, special care should be taken since water is employed in the use of the filter. For each of the following situations, do not attempt to repair yourself; return the filter to an authorized service facility for service or discard the filter.

- a. Before removing the filter out of water, unplug the filter first.
- b. Carefully examine the filter after installation. It should not be plugged in if there is water on parts not intended to be wet.
- c. Do not operate the filter if it has a damaged cord or plug, if it is malfunctioning or if it is dropped or damaged in any manner. The power cord of this filter cannot be replaced, if the cord is damaged, the filter should be discarded.
- d. To avoid the possibility of the filter plug getting wet, position aquarium stand and tank to one side of a wall mounted outlet to prevent water from dripping onto the outlet or plug. A “drip loop”, shown in the figure below, should be arranged by the user for each cord connecting the filter to the outlet. The “drip loop” is the part of the cord below the level of the outlet, or the connector. If an extension cord is used, to prevent water traveling along the cord and coming in contact with the outlet. If the plug or outlet does get wet, DO NOT unplug the cord. Disconnect the fuse to the circuit breaker that supplies power to the filter. Then unplug and examine for the presence of water in the outlet.



- II. Close supervision is necessary when the filter is used near children.
- III. Always unplug the filter from the outlet when not in use, before putting on or taking off parts, and before maintenance or placing hands in the water. Never yank the cord to pull plug from outlet. Grasp the plug and pull to disconnect.
- IV. Do not use the filter for other than intended use. The use of attachments not recommended or sold by the appliance manufacturer may cause an unsafe condition.

- V. Do not install or store the filter where it will be exposed to the weather or to temperatures below freezing. This filter is suitable for using in water temperatures less than 104°F.
- VI. Make sure the filter is securely installed before operating it.
- VII. Read and observe all the important notices on the filter.
- VIII. If an extension cord is necessary, a cord with a proper rating should be used. A cord rated for less amperes or watts than the appliance rating may overheat. Care should be taken to arrange the cord so that it will not be tripped over or pulled.
- IX. SAVE THIS USER MANUAL.

7.WARRANTY:

1. 1-year free warranty.
2. 1-month free return.
3. Free replacement for 3 months.

8.DISPOSAL

Do not dispose this product as unsorted municipal waste. Collection of such waste separately for special treatment is necessary. This product must not be disposed together with the domestic waste. This product has to be disposed at an authorized place for recycling of electrical and electronic appliances. By collecting and recycling waste, you help save natural resources, and make sure the product is disposed in an environmentally friendly way.



9.CONTACT INFORMATION:

Website: www.petnannystore.com

E-mail: Support@petnannystore.com

Thank you for choosing Hygger, making aquarium keeping easier one product at a time.

If you have any problems or suggestions for the reptile filter, please contact us by email before leaving feedback or opening a case, it will be the fastest way to solve your problem.

If you are satisfied with the reptile filter , please leave positive feedback for our product, in order to let more customers enjoy it. Thanks again!