

Petnanny

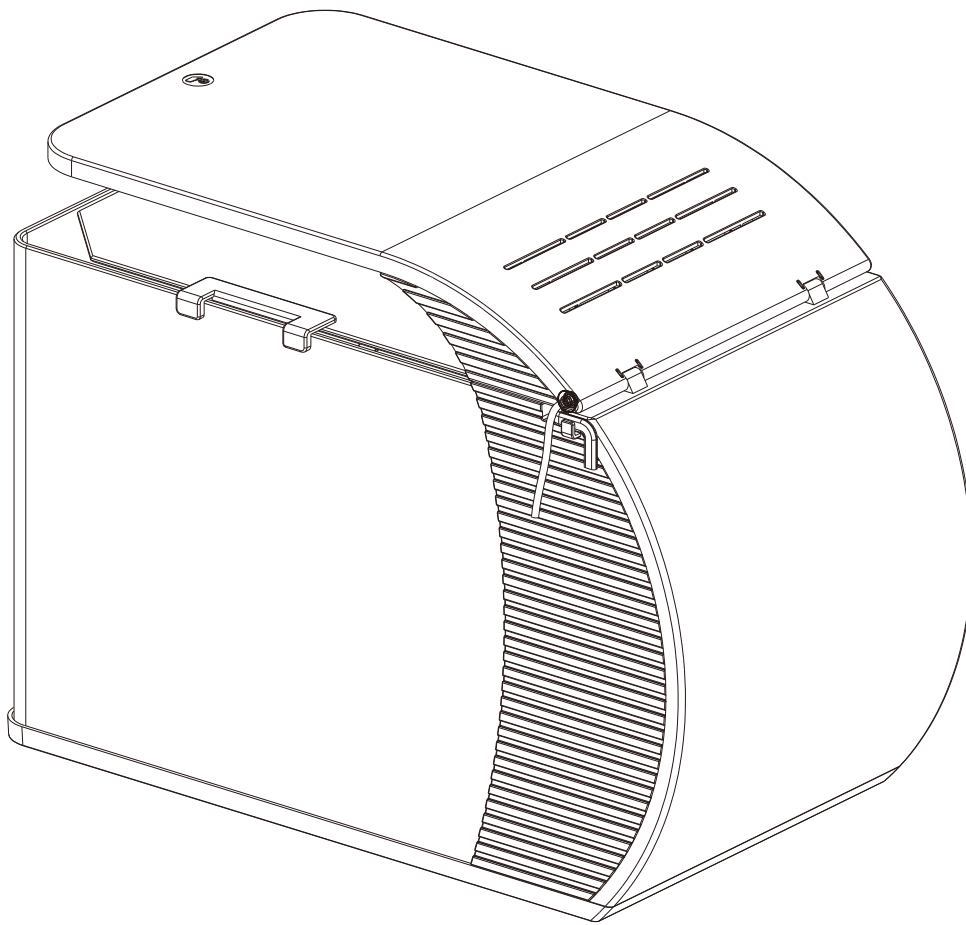
E-mail: Support@petnannystore.com

Website: www.petnannystore.com



HG-977 USER MANUAL

HYGGER ARC-shaped AQUARIUM KIT



The Hygger ARC-shaped Aquarium Kit is one of Hygger's New View Aquarium Kit Series. Perfect for an avid aquarist or anyone looking to break into the aquarium hobby, the ARC-shaped is a great mix of utility and beauty. The ARC-shaped is a stylish complement to any home or office space. Hygger will change your view!

ATTENTION: Gravel, fish, plants and decor are not included.

1. PRODUCT FEATURES

Perfect Starter Aquarium: The kit includes the proper equipment for starting an aquarium.

Perfect for plants, small fish, goldfish or betta: The aquarium fits almost anywhere. It's the perfect size for plants, small fish, goldfish or a betta!

ARC-shaped Glass Aquarium: ARC-shaped filter housing has enough space to put in a filter.

Frame construction with glass hood: The included glass hood reduces evaporation and ensures your fish do not jump out of the tank.

Easy to set up and maintain: The design of this aquarium kit takes all the guesswork out of setting up an aquarium! Each item in the kit is easy to keep and maintain.

2. PACKAGE INCLUDED:

- 1x Water pump
- 1x Adapter
- 1x Glass hood
- 1x A bag of filter media
- 1x User manual

3. INSTRUCTION:

Step 1: Filter media placement method shown in Figure 1.

A. Open the tank cover.

B. Put the water pump components in the right side of the filter housing, ensure the elbow connector is inserted into the water connector to complete installation. Ensure the water pump is placed in the direction as shown in figure B. Hose straightened into.

C. Place filter materials in the following order: cotton, bio-balls, cotton, carbon, cotton, and bio-cotton from bottom to top on the left side of the filter.

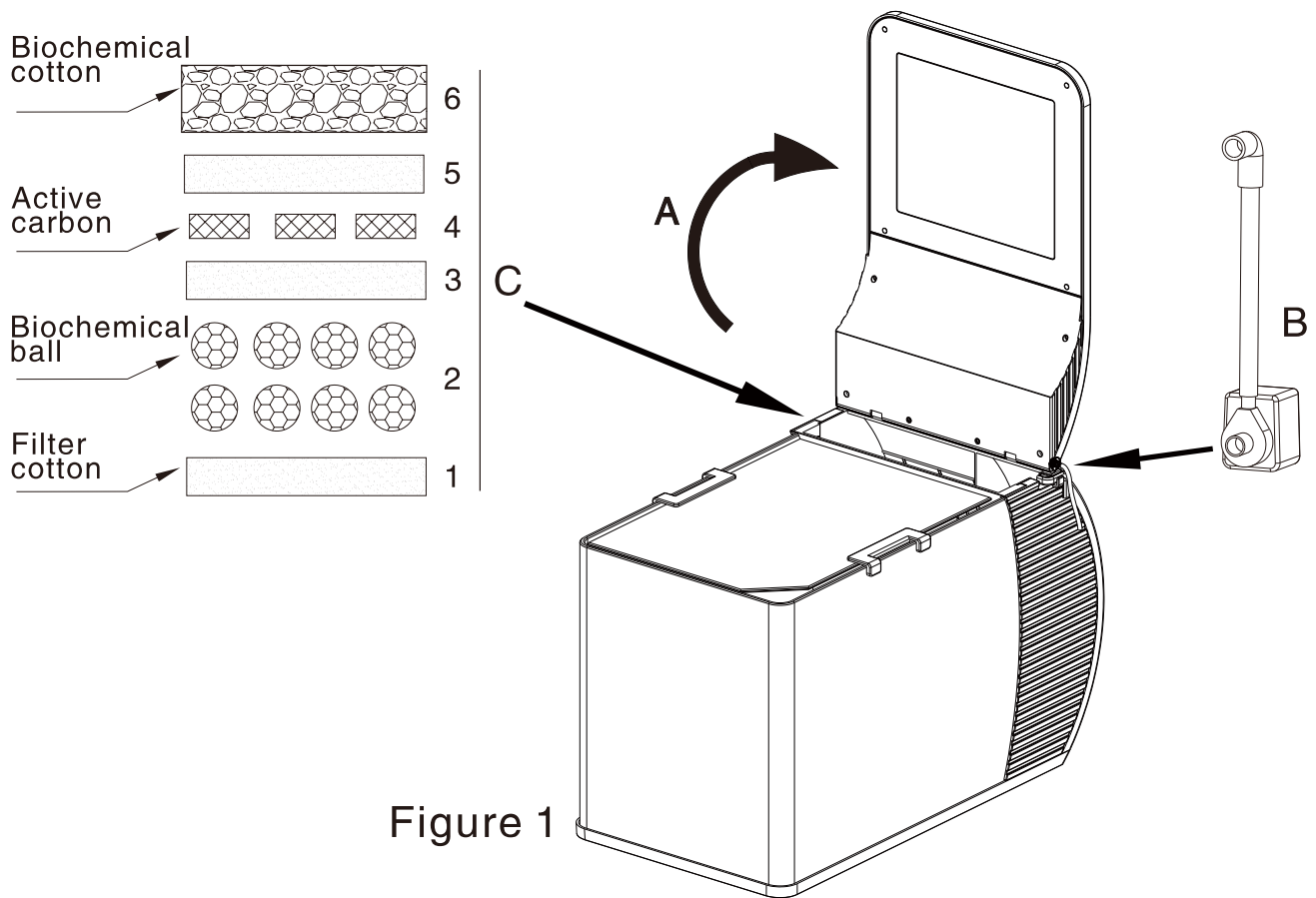


Figure 1

Step 2: The water pump power cord can be hung on the hook in the right side of the tank. Don't pull it too tight, if you hear the noise of water pump, please put some slack in the power cord as shown in Figure 2.

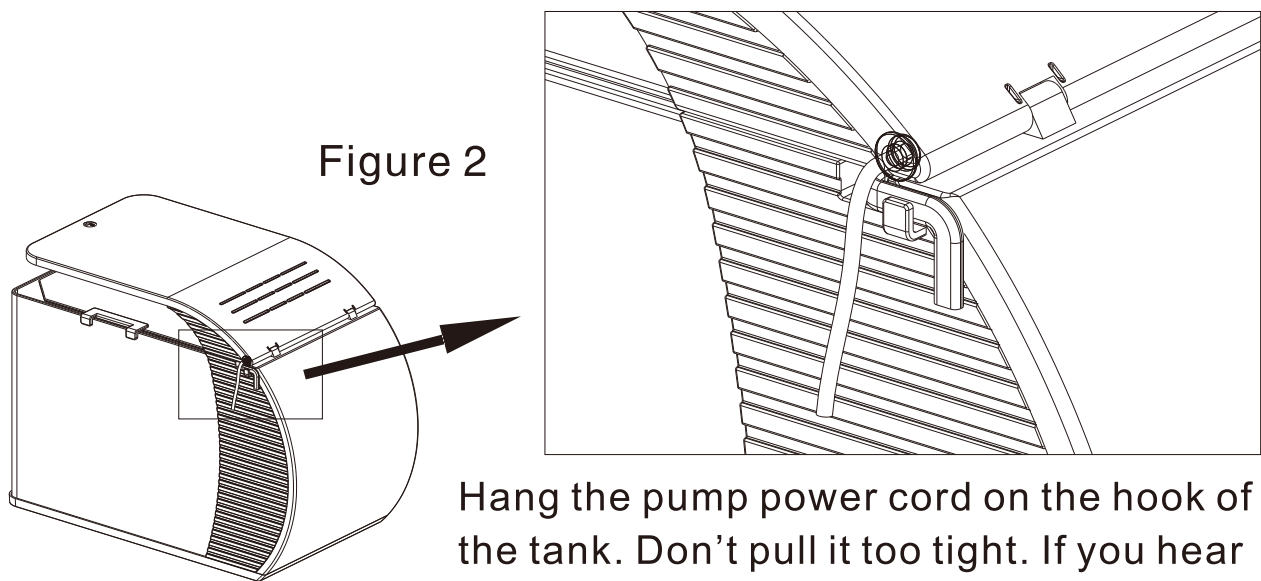


Figure 2

Hang the pump power cord on the hook of the tank. Don't pull it too tight. If you hear the noise of water pump, please put some slack in the power cord.

Step 3: Plug in the power cable and touch the button shown in Figure 3 to turn on the light. The color of the light is below:

- 1, 6 blue lights lighting.
- 2, 12 white lights lighting
- 3, 18 lights (6 blue and 12 white) lighting.

Open the light:
Touch this button to turn the light on. The color sequence of the light is blue light, white light, blue and white light.

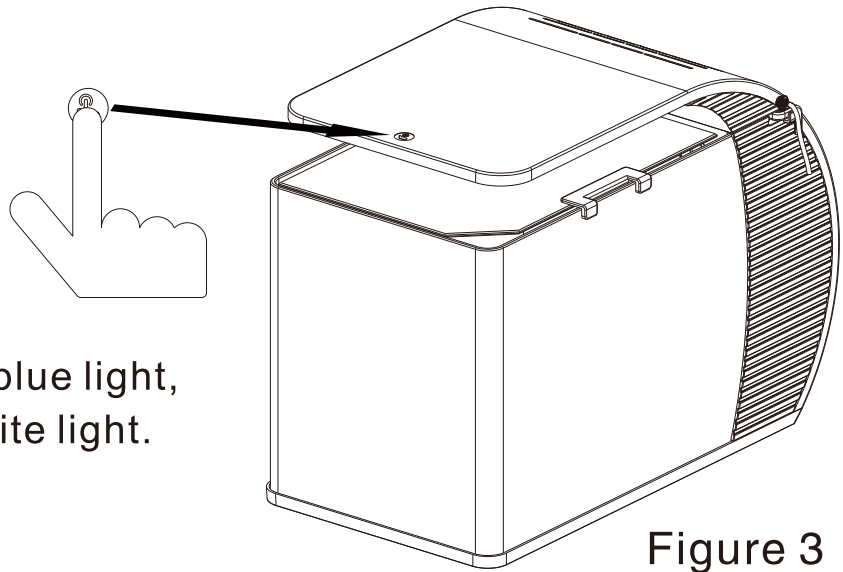


Figure 3

Step 4: When the water level is as shown in Figure 4 at position F, fish oil and foam that produced on the surface of the water will be filtered out. You can fill water to higher filtering slot at the upper end hole above 5mm distance (above position E) if surface scum is still not being filtered out.

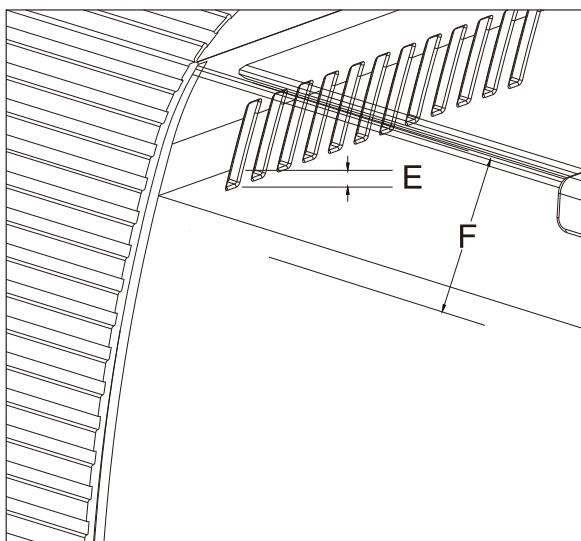
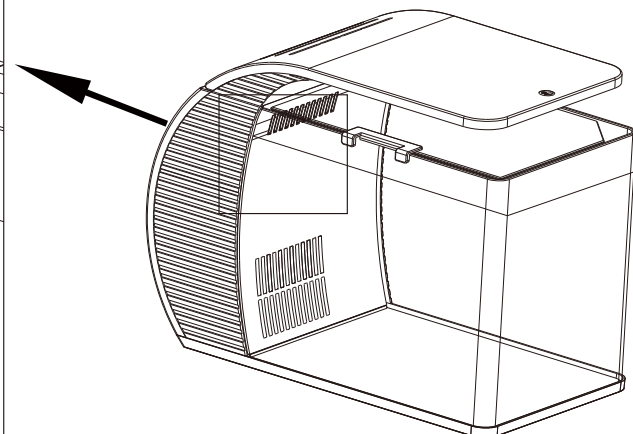


Figure 4



POSITION E: When fish oil and foam is produced on the surface of the water, you can fill water to higher filtering slot at the upper hole above the 5mm distance.

POSITION F: Lowest water level before the aquarium will no longer filter surface scum.

4. TIPS TO SUCCESSFUL AQUARIUM:

- A. Keep the LED light on for a maximum of 8 hours per day.
- B. Change 25% the water once per week.
- C. Keep the water at the proper level.

5.MAINTAINING:

To maintain clean glass for viewing, please use a piece of dry paper towel to wipe it clean from time to time. When you find the water cloudy, please move the fish into clean water, then replace the water inside the fish tank and clean the filter media inside the filter housing, or replace with new filter media to ensure the fish have a clean and comfortable living environment.

TECHNICAL PARAMETER TABLE


| Model | Vol./Freq. | Lamps | Water pump | Capacity | Dimensions |
|--------|------------------------|-------|------------|-------------|-------------------|
| HG-977 | 110V-240V 50Hz/60Hz | 3.2W | 5W | 5Gallon/19L | 423x226x 315mm |

6. CAUTION:

1. Ensure you use an outlet with appropriate voltage.
2. The power cord cannot be replaced, stop using if you find the power cord or plug are broken or they are aging and cracking. Return to us for scrap processing and to repurchase a new power supply and new water pump.
3. If there is abnormal smell, please unplug before inspecting.
4. Ensure the tank is placed on a level surface.
5. The LED light is driven by a DV terminal line, please put the DV terminal line into power before turning on .

Power off and unplug the power cord before unplugging the DV terminal line.

Don't connect the power plug before you connect the DV terminal line, it will cause the LED lights to not work. If this occurs, you must unplug and reconnect the power to resume normal operation.

 **7. WARNING:** To guard against injury, basic safety precautions should be observed including the following:

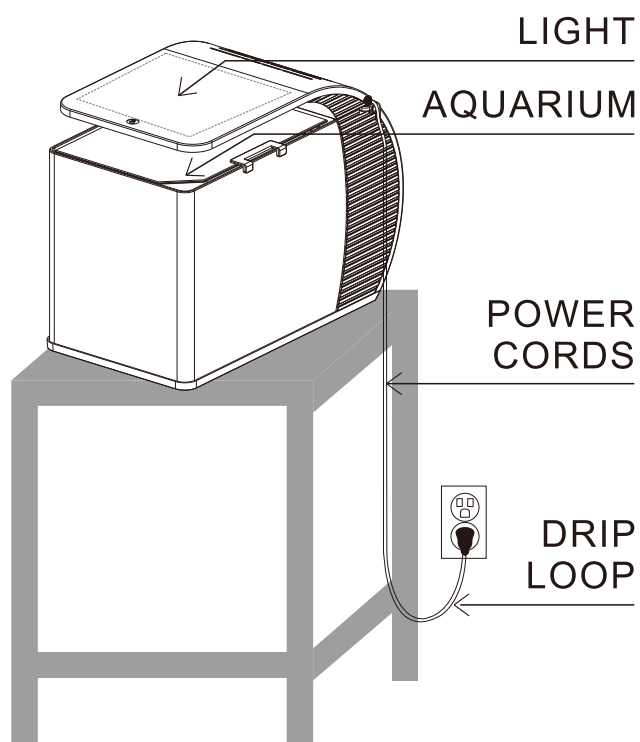
1. Read and follow this user manual strictly.
2. **DANGER-** To avoid possible electric shock, special care should be taken since water is employed in the use of aquarium equipment. For each of the following situations, do not attempt to repair yourself. Return the appliance to an authorized service facility for service or discard the appliance.

A. If the appliance falls into the water, **DO NOT** reach for it! First unplug it and then retrieve it. If electrical components of the appliance get wet, unplug the appliance immediately.

B. Carefully examine the appliance after installation. It should not be plugged in if there is water on parts not intended to be wet.

C. Do not operate any appliance if it has a damaged cord or plug, if it is malfunctioning or if it is dropped or damaged in any manner.

D. To avoid the possibility of the appliance plug getting wet, position aquarium stand and tank to one side of a wall mounted outlet to prevent water from dripping onto the outlet or plug. A "drip loop", shown in the figure below, should be arranged by the user for each cord connecting an aquarium appliance to the outlet. The "drip loop" is the part of the cord below the level of the outlet, or the connector.



If an extension cord is used, to prevent water traveling along the cord and coming in contact with the outlet. If the plug or receptacle does get wet, DO NOT unplug the cord. Disconnect the fuse to the circuit breaker that supplies power to the appliance. Then unplug and examine for the presence of water in the outlet.

3. Close supervision is necessary when any appliance is used by or near children.
4. To avoid injury, do not contact moving parts or hot parts such as lamp bulbs.
5. Always unplug the appliance from the outlet when not in use, before putting on or taking off parts, and before cleaning. Never yank the cord to pull plug from outlet. Grasp the plug and pull to disconnect.
6. Do not use an appliance for other than intended use. The use of attachments not recommended or sold by the appliance manufacturer may cause an unsafe condition.
7. Do not install or store the appliance where it will be exposed to the weather or to temperatures below freezing.
8. Make sure an appliance mounted on a tank is securely installed before operating it.
9. Read and observe all the important notices on the appliance.
10. If an extension cord is necessary, a cord with a proper rating should be used. A cord rated for less amperes or watts than the appliance rating may overheat. Care should be taken to arrange the cord so that it will not be tripped over or pulled.
11. The 2 conductor power cord has a polarized plug (one blade is wider than the other). As a safety feature, this plug will fit in a polarized outlet only one way. If the plug does not fit fully in the outlet, reverse the plug. If it still does not fit, contact a qualified electrician. Never use with an extension cord unless plug can be fully inserted. Do not attempt to defeat this safety feature.

12. The appliance is intended FOR HOUSEHOLD USE ONLY. Do not use or mount the appliance in such a way that the top vents are restricted or blocked. These vents are necessary to avoid overheating and ensure safe operating temperatures.

13. SAVE THIS USER MANUAL.

8. WARRANTY:

1. 1-year free warranty.
2. 1-month free return.
3. Free replacement for 3 months.
4. Contact information:

Website: www.petnannystore.com

E-mail: Support@petnannystore.com

Thank you for choosing Hygger, making aquarium keeping easier one product at a time.

If you have any problems or suggestions for the aquarium kit, please contact us by email before leaving feedback or opening a case, it will be the fastest way to solve your problem.

If you are satisfied with the aquarium kit, please leave positive feedback for our product, in order to let more customers enjoy it.

Thanks again!

Website: www.petnannystore.com

E-mail: Support@petnannystore.com