

Petnanny

E-mail: Support@petnannystore.com

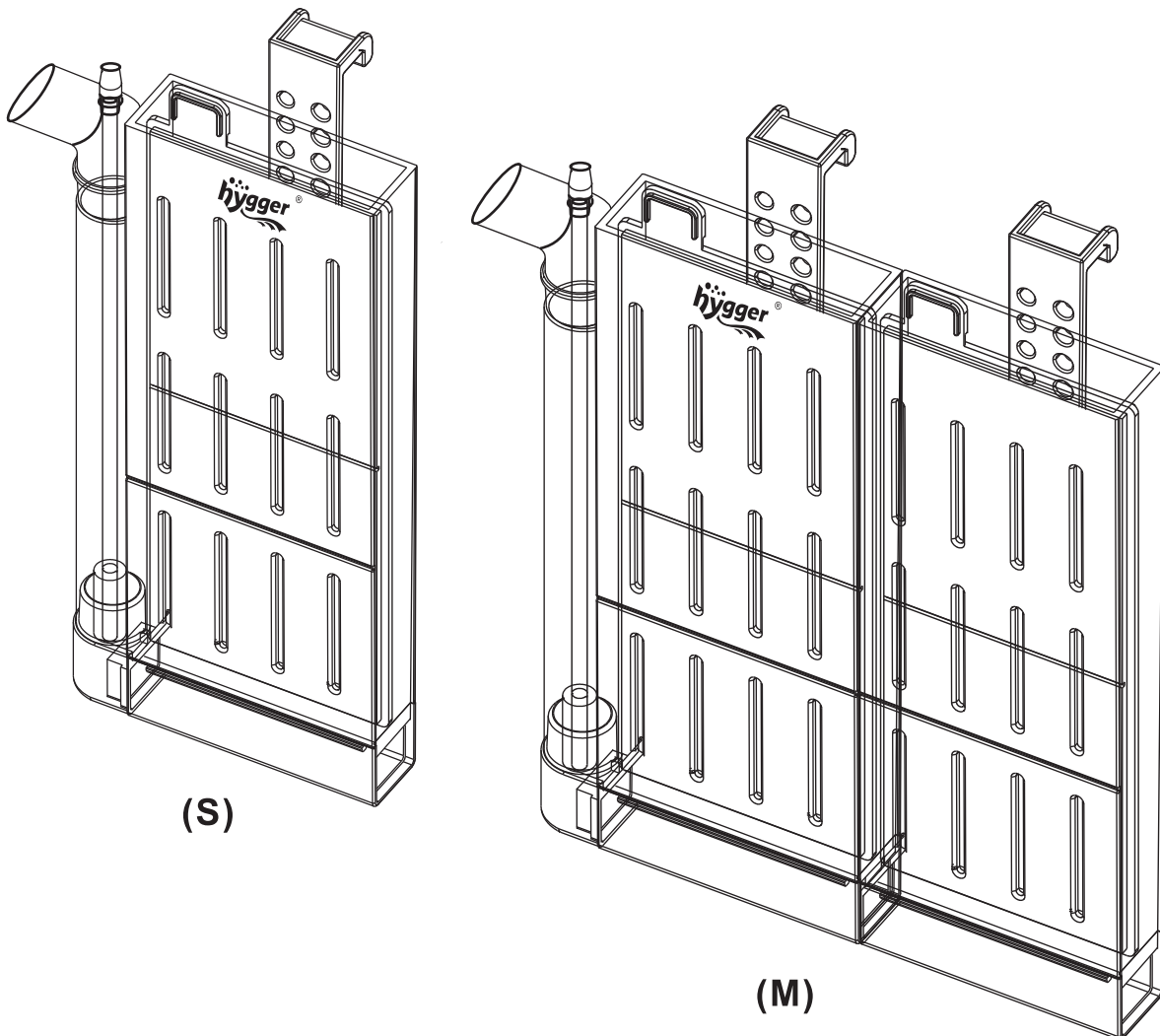
Website: www.petnannystore.com



Hygger Internal Filter

USER MANUAL

HG-959-S / M



Hygger HG-959 filter is internal filter running by air pump, compact and quiet, it is perfect for used at small aquarium tanks.

ATTENTION: This internal filter must be run by an air pump (at least 3-watt) and equipped with a check valve on the air tube to prevent flow-back.

1. PRODUCT FEATURES

Super quiet: Driven by air pump, it is so quiet that you can only hear the beautiful sound of bubble burst in the water surface.

Agitate water: The dense compressed air stone produces constant bubbles and oxygenate aquarium water, providing an optimal environment for your aquatic pets and plants.

Mechanical filtration: The filter cartridge load with density sponge pad and activated carton can effectively absorb the oil film and purify the water

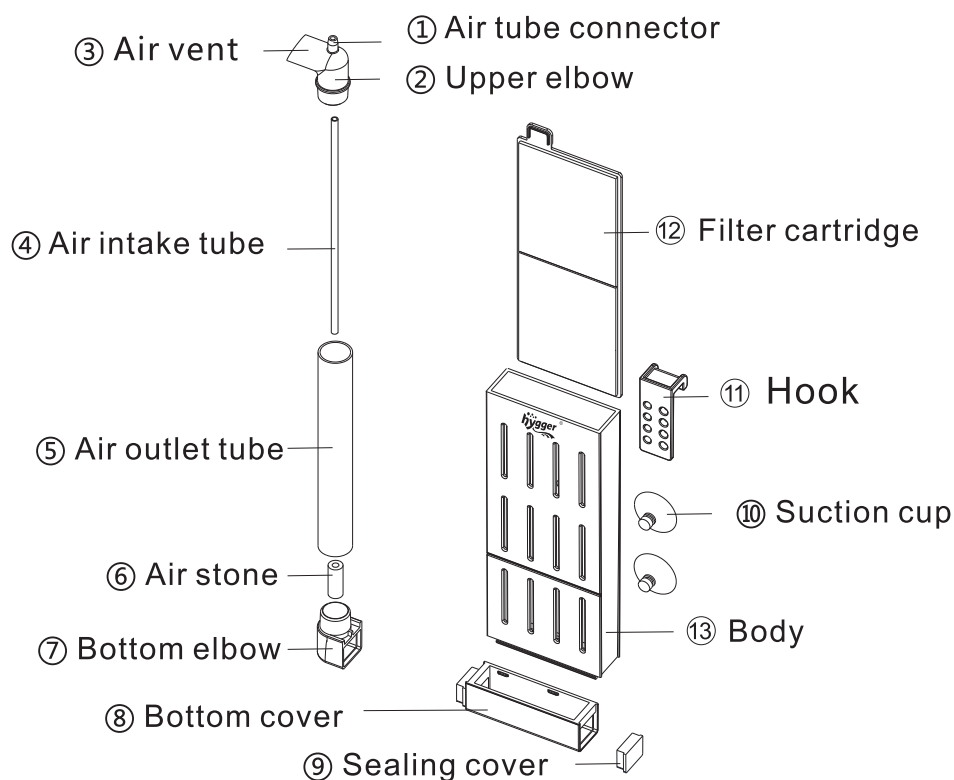
Compact design: tiny and thin, this filter is so compact that can suits most small aquariums up to 10 gallon.

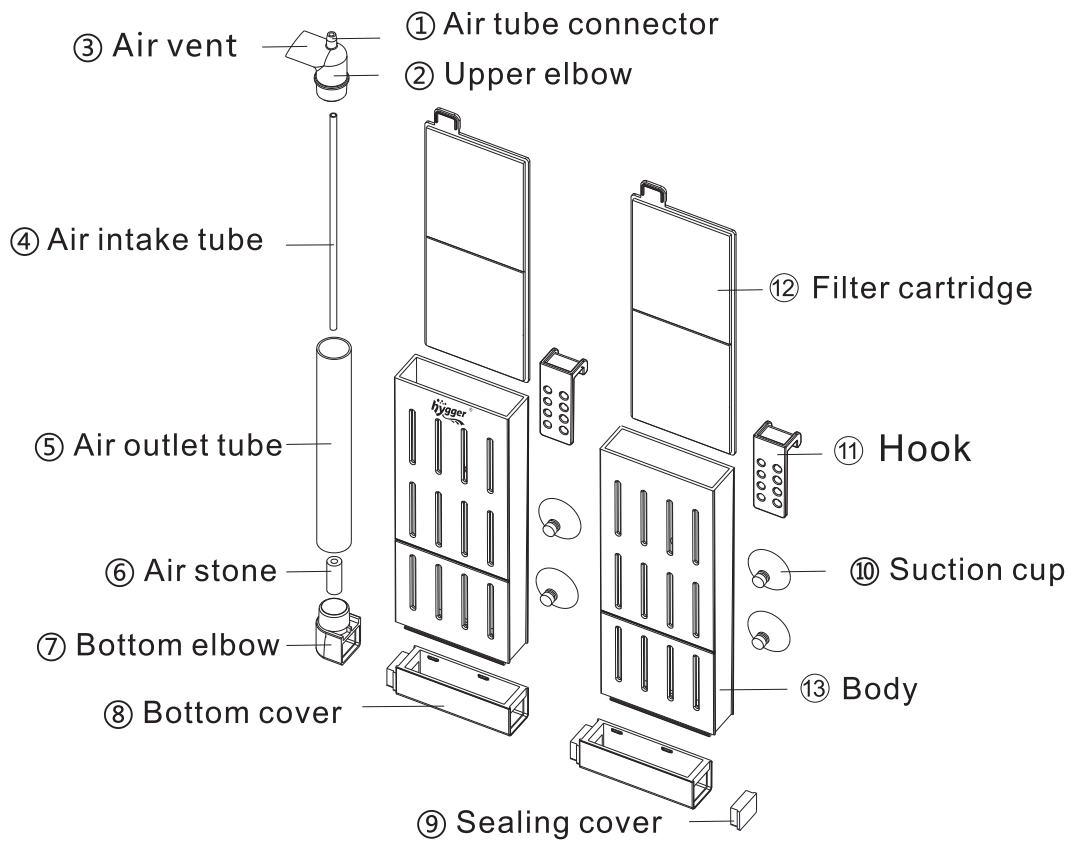
Easy to set up and clean: It is easy to install and adjust hook according to the water level(suit for 0.39inch thick glass). Replace the filter cartridge in seconds.

2.PRODUCT SPECIFICATIONS

Size	S	M
Dimension	4.2"X0.79"X7.6"	7"X0.79"X7.6"
Applicable Tank	2~5 Gal	6~10 Gal
Air Tube	4 mm (3/16 Inch)	4 mm (3/16 Inch)
Applicable Air Pump	3W	

3. PRODUCT DIAGRAM



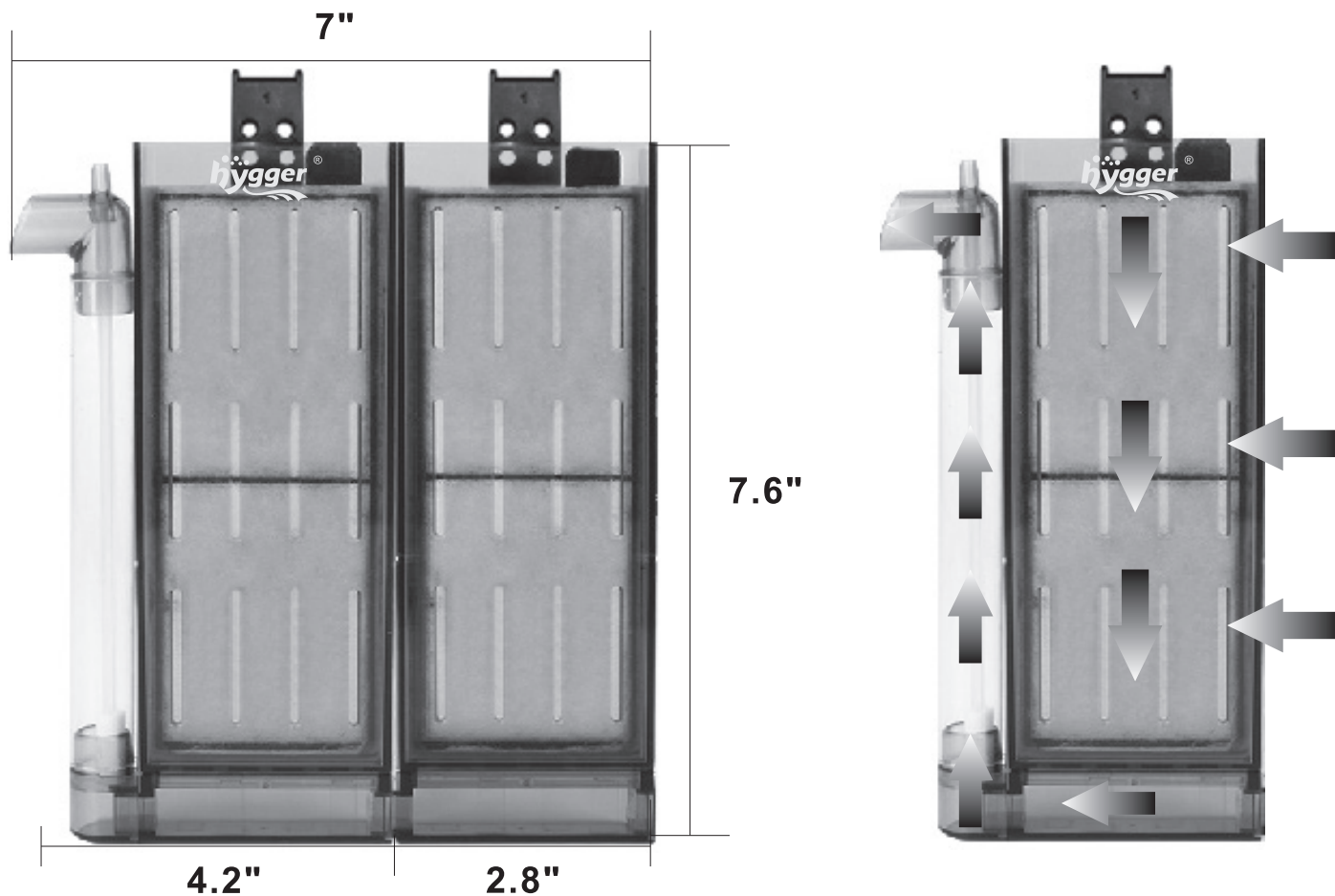


(M)

4. PACKAGE INCLUDED:

Size	S	M
Upper elbow	1	1
Air intake tube	1	1
Air outlet tube	1	1
Air stone	1	1
Bottom elbow	1	1
Bottom cover	1	2
Sealing cover	1	1
Suction cup	2	4
Hook	1	2
Filter cartridge	3	6
Body	1	2
User manual	1	1

5. METHOD OF APPLICATION

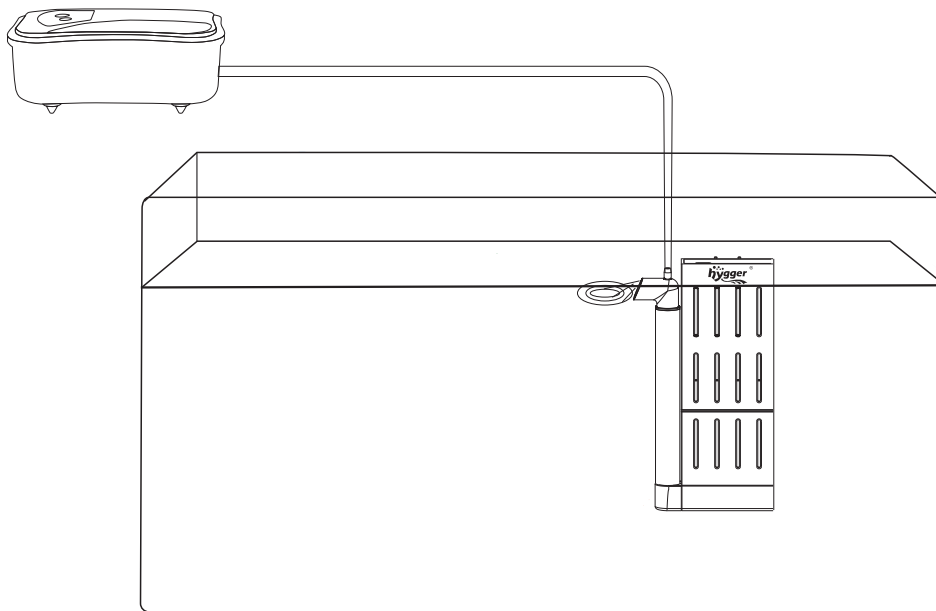


Assemble	Instruction
	<p>Take out the hook from the filter.</p>
	<p>Fix the hook with two protrusions on the back of the filter, the height can be adjusted according to the water level.</p>
	<p>Connect the filter to air tube.</p>

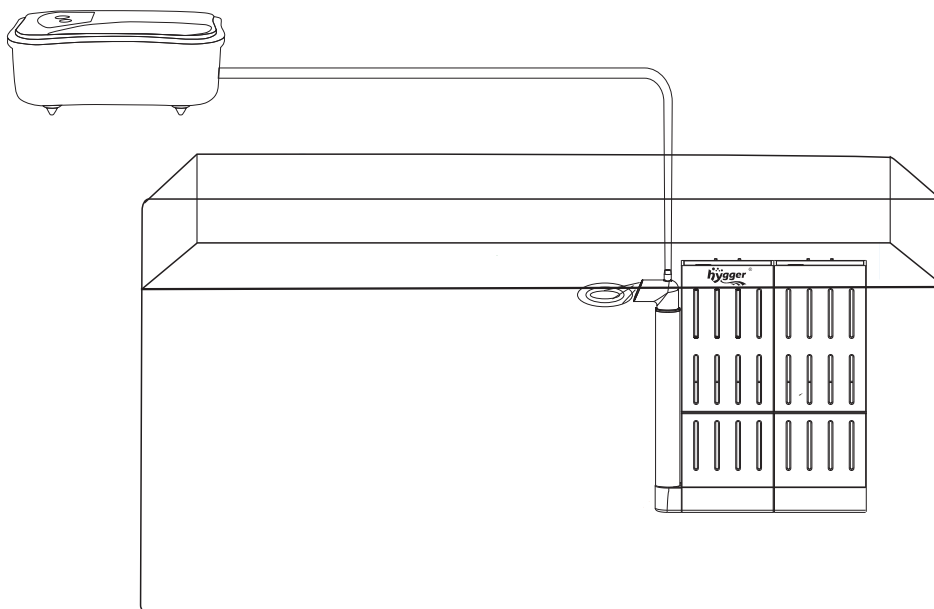
Please follow below steps:

- ①. Rinse the filter cartridge and all parts with clean water from tank , in order to remove the any debris or dust and clean the filter.
- ②. Put the filter cartridge into filter, make sure the filter cartridge is in the card slot.
- ③. Rotate the upper elbow to adjust the direction of air vent.
- ④. Place the filter on the wall of aquarium with two suction cups or mount the hook to hang over. (hook's height can be adjusted according to the water level).
- ⑤. Connect filter to air tube to air pump, equipped with a check valve on the air tube to prevent flow-back of water. Plug in air pump and go.

To insure its better performance, it is better to keep all the lateral inlet opening of filter below water level like shown picture.



(S)



(M)

6.WARNING

- a. This filter must be connected with an air pump(at least 3-watt).
- b. Don't use tap water or hot water to clean the filter. Make sure to clean the filter with tank water.
- c. Please equip a check valve on the air tube to prevent flow-back in case power failure.
- d. Clean the filter with tank water every 1-2 weeks.
- e. We recommend to replace the filter cartridge every 2-4 weeks

7.WARRANTY

1. 1-year free warranty.
2. 1-month free return.
3. Free replacement for 3 months.

8. CONTACT INFORMATION

E-mail: Support@petnannystore.com

Website: www.petnannystore.com

Thank you for choosing Hygger, making aquarium keeping easier one product at a time.

If you have any problems or suggestions for the internal filter, please contact us by email before leaving feedback or opening a case, it will be the fastest way to solve your problem.

If you are satisfied with the internal filter, please leave positive feedback for our product, in order to let more customers enjoy it. Thanks again!