

Petnanny

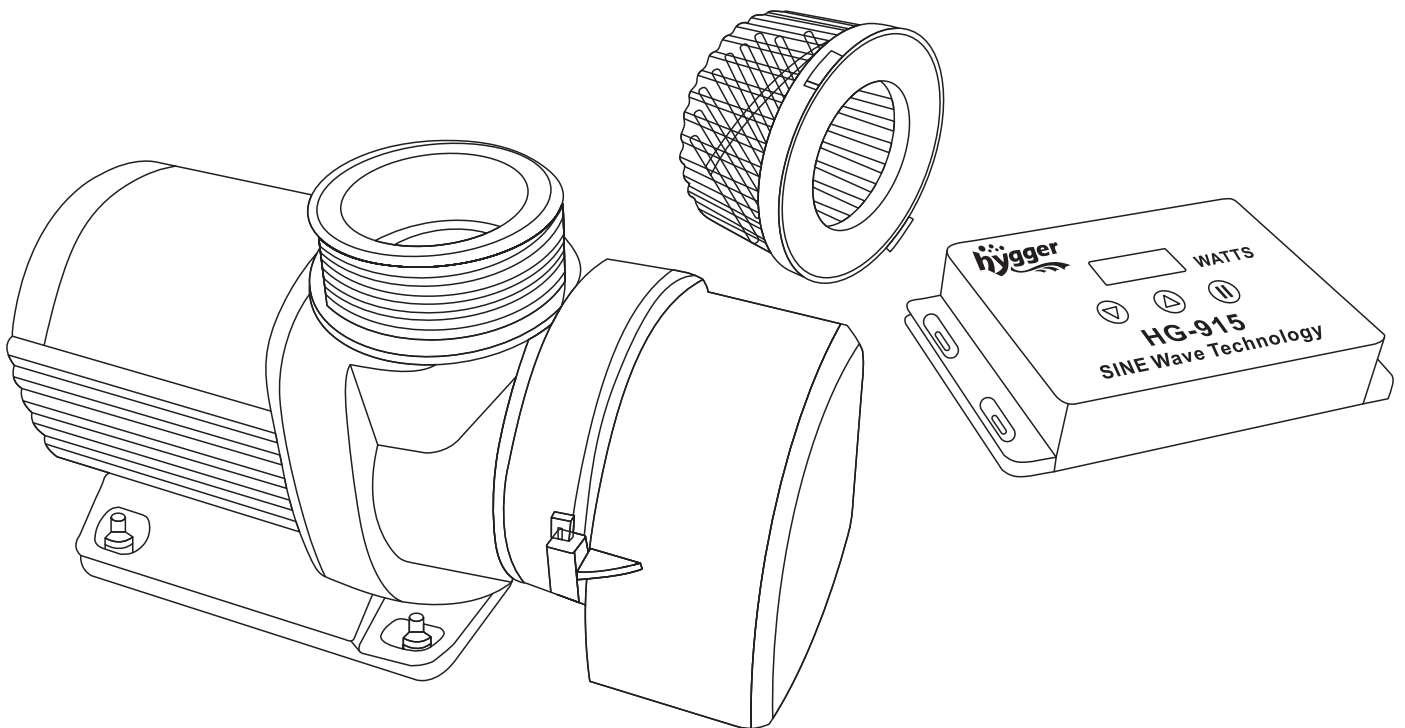
E-mail: Support@petnannystore.com

Website: www.petnannystore.com



HG-915 SERIES USER MANUAL

HYGGER AQUARIUM DC WATER PUMP



Hygger aquarium DC water pump is a perfect return pump for many forms of aquariums, sumps, pond.

1. PRODUCT FEATURES

Quiet and powerful operation: Sine wave technology makes the pump run smooth and ultra quiet.

Two working modes:

- Normal working mode: adjustable flow rater mode.
- Feed mode: turns the pump off for 10 minutes for feeding.

Automatic power off protection design: When the pump detects no water, default phase or over voltage, it will power off automatically. The motor will also power off if the rotor is blocked. Once the pump detects no water, it will shut off automatically for 2 minutes. If you want restart the pump immediately, pull the plug out and plug into power again, the pump will restart again.

Adjustable water flow rate and lift head: Variable frequency powered DC controller can offer up to 71 different speed settings for steady flow mode. It's convenient and easy to control the pump.

Energy saving technology: DC motor with magnetic drive and ceramic shaft design saves more energy and operates safely.

Perfect aquarium bottom suction pump and submersible return pump: Two types intake screen design , one is special intake screen which can suck up the bottom water, the dirt and detritus in sumps or aquariums. Also can be installed externally(inline). Special o-ring design make the best waterproof.

*Special intake
screen*



*Special o-ring
waterproof*



Suitable for freshwater and saltwater: Non-metal design is perfect submersible return pump for freshwater and saltwater aquariums and sumps.

2. PACKAGE INCLUDED

1× User manual

1× Power adapter

2× O-ring

1× DC water pump

1× Controller

2× Pump screen inlet

Outlet or inlet fittings as following:

Model	Screw	Rigid Pipe Connector	Soft Pipe Connector
HG-915-3000/4000	1-1/8"~1PCS 1-3/8"~1PCS	3/4"~1PCS,1"~1PCS	3/4"~1PCS,1"~1PCS
HG-915-5000~10000	1-3/4"~2PCS	3/4"~2PCS,1"~2PCS 1-1/4"~2PCS	3/4"~1PCS, 1"~1PCS, 1-1/4"~1PCS 1-1/2"~1PCS

3.PRODUCT PARAMETERS

Model No:	Input Voltage	Output Voltage	Consumption (W)	Flow Rate(GPH)	Head Max(Feet)
HG-915-3000	100-240V	DC24V	25	800	9.8
HG-915-4000	100-240V	DC24V	33	1060	13.1
HG-915-5000	100-240V	DC24V	40	1350	13.1
HG-915-6500	100-240V	DC24V	55	1720	14.8
HG-915-8000	100-240V	DC24V	65	2120	18
HG-915-10000	100-240V	DC24V	80	2650	19.7

4.CONTROLLER AND PANEL INSTRUCTION

ATTENTION:The pump must be connected with the controller and the 24V adaptor correctly before working.

A.LED display and controller key instruction

As indicated in able diagram, the LED indicates power work/stop (On/Off) and fault code. The panels are touch-control.

B.Operating instruction

After connecting to the pump, the control is set to perform the last operation model. LED display is on. "PXXX" is shown on LED display, P is short for power, "PXXX" is show the rate of work. There are 71 settings for working model. When you touch ▼/▲ button, LED will show the instant working model, you can set different power to suitable your needs.

"FXXX" is show the working model. When you press ▼/▲ button, the LED display will show "FXXX" from 30 to 100. You also can press ▼/▲ button for several seconds, the working model will change between F030 and F100 continuously. More than 1 second never setting ▼/▲ button, the LED display will show "PXXX watts" automatically.

C. The key lock function

To lock the controller, plug to the power, press the “||” button for three seconds until the LED light flashes three times; Similarly to unlock the controller, press the “||” button for three seconds again and observe Led indicator light flashes three times again.

D. The LED protected mode

Plug to the power. Wait more than 25 seconds without pressing a control button, the LED display will dim to micro bright and the controller will enter the screen saver mode. The LED display will return to normal when you press any button.

E. Date memory function

The Built-in memory function ensures that the pump restarts keeping the same parameters as when turned off.

F. “FEED” function:

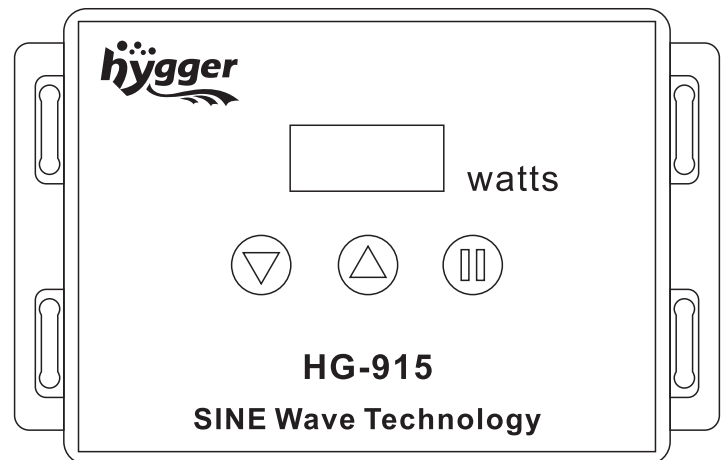
When the pump is working, press “||” button, pump stops flowing, the LED indicator light shows “FEED”, the pump restarts automatically 10 minutes later. Alternatively you can press the “||” button to make the pump restart before the 10 minutes has transpired.

5. FAULT CODE & TROUBLE SHEET

The fault code abnormal and flashing when the controller abnormal work, the code explanation is as below:

Fault Code	Explanation	Solution
Er01	Abnormal working current	Check whether the pump is short of voltage or the controller is broken
Er02	Controller overheating	Check whether the controller exposed to the sunshine or in high temperature environment
Er03	Pump idling	Check whether the pump works dry or not
Er04	The impeller stops running	Check whether the impeller is blocked or wrong power connection
Er05	Abnormal working voltage	Check the input supplying voltage

Note: For indoor use, the power socket must be installed with the leakage current protecting device, and the leakage current shall not exceed 30mA (The consumer must install the leaking current protection device by themselves).



6.OPERATION

A clogged or dirty intake screen will reduce the performance.

If the pump is used on a dirty surface, raise it slightly to reduce the amount of debris contacting the intake. If the flow is low, please adjust the regulator on the sealing cover.

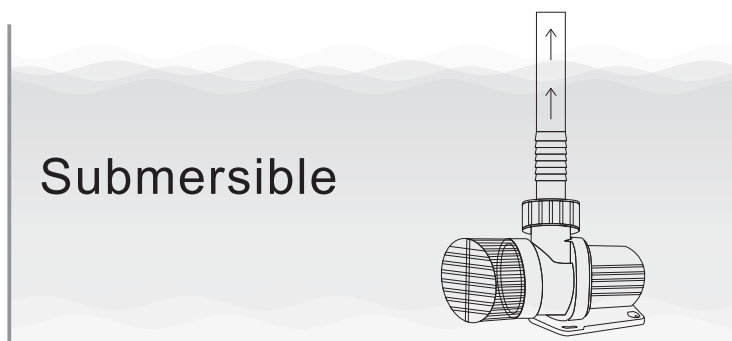
Do not let the pump run in dry. The pump will be broken easily. Normally, put the pump into water and then plug on. At the beginning, it probably can't pump water, because there is air in the pump and the connector fitting. Please plug on and off for several times. It will work normally.

A.Used as submersible pumps (Figure one)

IMPORTANT: Do not let the pump run dry- this could cause damage to the motor.

- Submerge the pump completely in your pond (aquariums) so as to make the pump body surround with water.
- A water level of approx. 15cm(6 inch) is required for submersible use in order to prevent the pump from taking in air.
- To prevent the filter becoming prematurely clogged, place the fountain pump above the mud in the pond.
- Install the enclosed filter sponge to prevent the fountain inlet from becoming clogged.
- Running in conjunction with fountain jets, the pump should be stationed firmly and horizontally (on a brick).
- The pump can be switched on by simply plugging it in and switched off by unplugging.

Figure one:

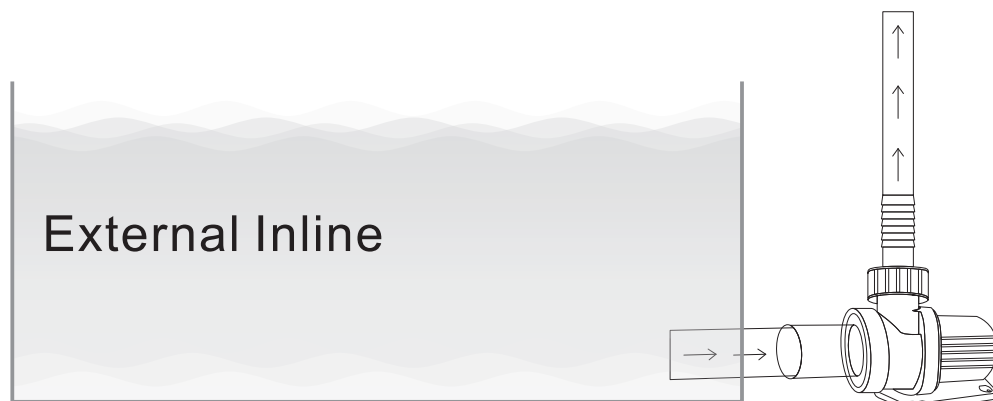


B.Used as non-submersible pumps(Figure two)

- Position the pump lower than the water surface on the side of the pond so that the water can be drained to the pump because it is not self-priming.
- Remove the filter cover and connect suction hose (A: inlet) and pressure hose (B:outlet) from the pump. The connection should be waterproof. (Figure 1)
- Fill the suction hose and pump with water before turning it on.
- To prevent the pump from becoming clogged, provide the suction hose with an adequate suction filter.
- Never let the pump run dry.

Installation diagram:

Figure two:

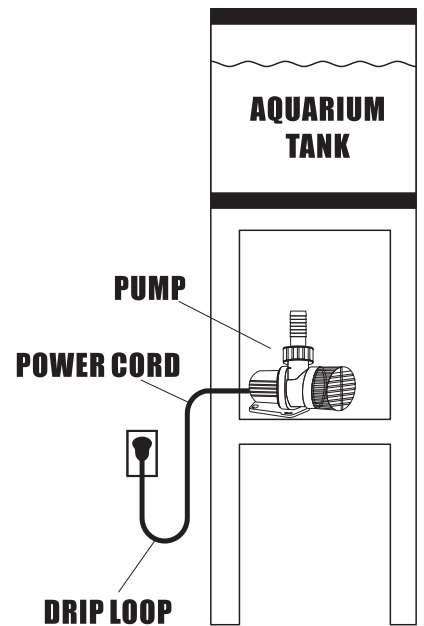


7.WARNING:

To guard against injury, basic safety precautions should be observed including the following:

1. Read and follow this user manual strictly.
2. **DANGER-**To avoid possible electric shock, special care should be taken since water is employed in the use of aquarium equipment. For each of the following situations, do not attempt to repair yourself; return the pump to an authorized service facility for service or discard the pump.
 - A. If the pump shows any sign of abnormal water leakage or RCD (or GFCI-Ground Fault Current Interrupter), unplug the power and remove the pump from water.
 - B. Carefully examine the pump after installation. It should not be plugged in if there is water on parts not intended to be wet.
 - C. Do not operate the pump if it has a damaged cord or plug, if it is malfunctioning or if it is dropped or damaged in any manner. The power cord of this pump cannot be replaced, if the cord is damaged, the pump should be discarded.
 - D. To avoid the possibility of the pump plug getting wet, position aquarium stand and tank to one side of a wall mounted receptacle to prevent water from dripping onto the receptacle or plug. A “drip loop”, shown in the figure below, should be arranged by the user for each cord connecting the pump to the receptacle. The “drip loop” is the part of the cord below the level of the receptacle, or the connector. If an extension cord is used, to prevent water traveling along the cord and coming in contact with the receptacle. If the plug or receptacle does get wet, **DO NOT** unplug the cord. Disconnect the fuse to the circuit breaker that supplies power to the pump. Then unplug and examine for the presence of water in the receptacle.
3. Close supervision is necessary when the pump is used near children.
4. This pump is not allowed to use by persons (including children) with reduced physical, sensory or mental capabilities, or lack of experience and knowledge, unless they have been given supervision or instruction concerning use of the pump by a person responsible for their safety.
5. To avoid injury, do not contact moving parts or hot parts and so on.

6. Always unplug the pump from the outlet when not in use, before putting on or taking off parts, and before maintenance or placing hands in the water. Never yank the cord to pull plug from outlet. Grasp the plug and pull to disconnect.
7. Do not use the pump for other than intended use. The use of attachments not recommended or sold by the appliance manufacturer may cause an unsafe condition.
8. Do not install or store the pump where it will be exposed to the weather or to temperatures below freezing. This pump is suitable for use in water temperatures less than 95°F.
9. Do not submerge more than 5ft of water depth.
10. Do not run dry or out of water.
11. Only use in freshwater or saltwater, do not use the pump in other liquids.
12. Make sure the pump is securely installed before operating it.
13. Read and observe all the important notices on the pump.
14. If an extension cord is necessary, a cord with a proper rating should be used. A cord rated for less amperes or watts than the appliance rating may overheat. Care should be taken to arrange the cord so that it will not be tripped over or pulled.
15. The pump is intended FOR HOUSEHOLD USE ONLY. Do not use or mount this pump in such a way that the top vents are restricted or blocked. These vents are necessary to avoid over heating and ensure safe operating temperatures.
16. Due to all the pumps need to be professional water testing by manufacturer before shipment, if the water pump you received with a little water, please don't worry, the little water was left from professional water testing, it is a normal phenomenon. It is new and normal pump.
17. SAVE THIS USER MANUAL.



8. MAINTENANCE

To clean the pump, remove the back cover, sealing cover and the impeller. Use a small brush or steam of water to remove any debris.

If the pump doesn't work, check as following:

- Check the circuit. Please try to plug on another power socket, to ensure the pump switched on with power. Note, please do not plug on before operation.

- Check the pump outlet and tube, if blocked by dirty.
- Check the inlet to ensure not clogged by debris.
- Remove the pump inlet to access the impeller. Turn around the rotor to check whether broken or jammed.
- Monthly maintenance will prolong your pump's life. Clean the rotor, remove the dirt.

9. DISPOSAL

Do not dispose this product as unsorted municipal waste. Collection of such waste separately for special treatment is necessary. This product must not be disposed together with the domestic waste. This product has to be disposed at an authorized place for recycling of electrical and electronic appliances. By collecting and recycling waste, you help save natural resources, and make sure the product is disposed in an environmental friendly and healthy way.



10. WARRANTY

- 1-year free warranty
- 1-month free return
- Free replacement for 3 months

Contact information:

E-mail: Support@petnannystore.com

Website: www.petnannystore.com

Thank you for choosing Hygger, making aquarium keeping easier one product at a time.

If you have any problems or suggestions for the DC water pump, please contact us by email before leaving feedback or opening a case, it will be the fastest way to solve your problem.

If you are satisfied with the DC water pump, please leave positive feedback for our product, in order to let more customers enjoy it. Thanks again!

E-mail: Support@petnannystore.com

Website: www.petnannystore.com