

# Petnanny

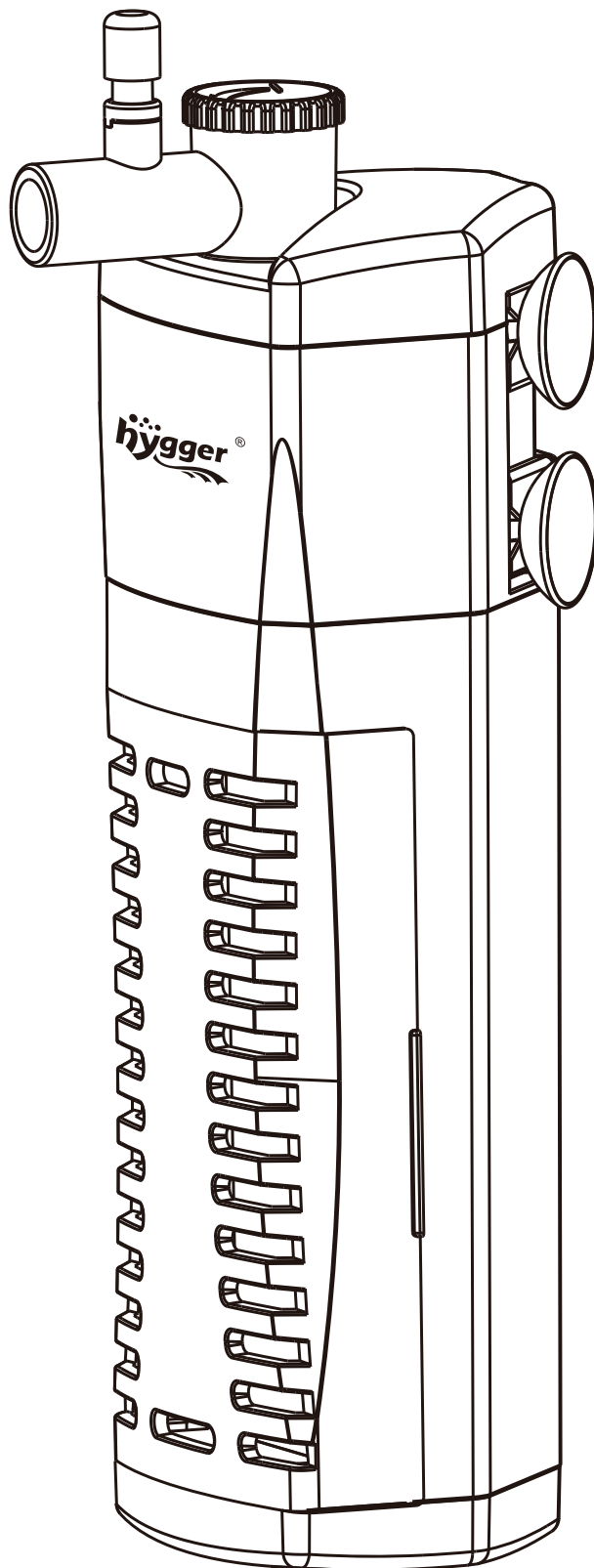
E-mail: [Support@petnannystore.com](mailto:Support@petnannystore.com)

Website: [www.petnannystore.com](http://www.petnannystore.com)



# HG-009 USER MANUAL

hygger aquarium internal power filter



E-mail: [Mago@hygger-online.com](mailto:Mago@hygger-online.com)

Please read this user manual carefully before using and follow strictly in accordance with the manual.

## 1. PRODUCT FEATURES:

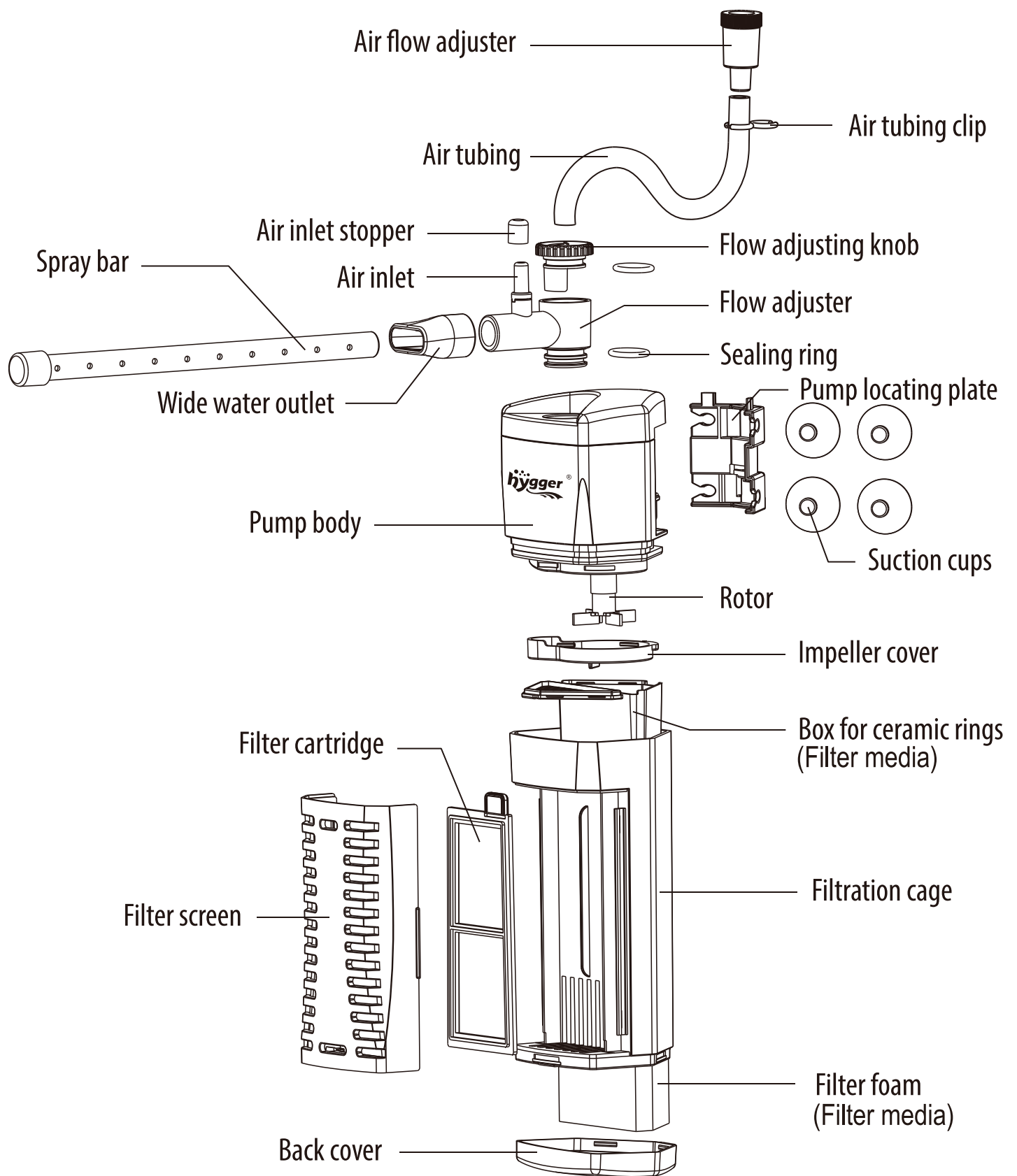
### 5 in1 Multi-function :

- Provides efficient mechanical filtration; The activated carbon traps particles and removes odors;
- Filter media provide large surface area for growth of beneficial bacteria, which degrades harmful impurities and help maintain the ecological environment in aquariums;
- The filter has a cartridge for pre-filtration. The cartridge is very easy to replace, providing great convenience to the users for maintenance.
- Water outlet can be used for the wave maker.
- Air inlet increases the amount of oxygen in the water.
- **Unique and Novel Appearance Design:** Special structure for above and below draining, small shape saves your tank space and low water level use. Humanized disassembly and assembly design, easy to use.
- **Adjustable Flow Rate:** Two options for water draining and wave maker can adjust the flow rate for your fish and turtle.
- **Super Silent:** High-quality silent and durable pump. Stainless Steel motor impeller can be used for freshwater and salt water.

## 2.PRODUCT PARAMETERS

Model No:	Voltage	Frequency	Power(W)	Flow	Recommended Aquarium size
HG-009-S	110-120V	60Hz	4.5	85GPH	5-15Gal
HG009-S	220-240V	50Hz	4.5	320LPH	18-55L
HG009-M	110-120V	60Hz	6.5	135GPH	10-30Gal
HG009-M	220-240V	50Hz	6.5	510LPH	37-112L

## 3.INSTRUCTIONS



The filter can be used in multiple options.

- Option 1

1) Connect the wide water outlet to the outlet of the filter.

2) Fix the filter to the wall of the aquariums with the suction cups.

3) Make sure the filter is fully submerged in water.

4) Then connect the filter to the power supply.

5) Adjust the direction of the flow left and right with the flow direction adjuster and adjust the flow rate with the flow adjusting knob.

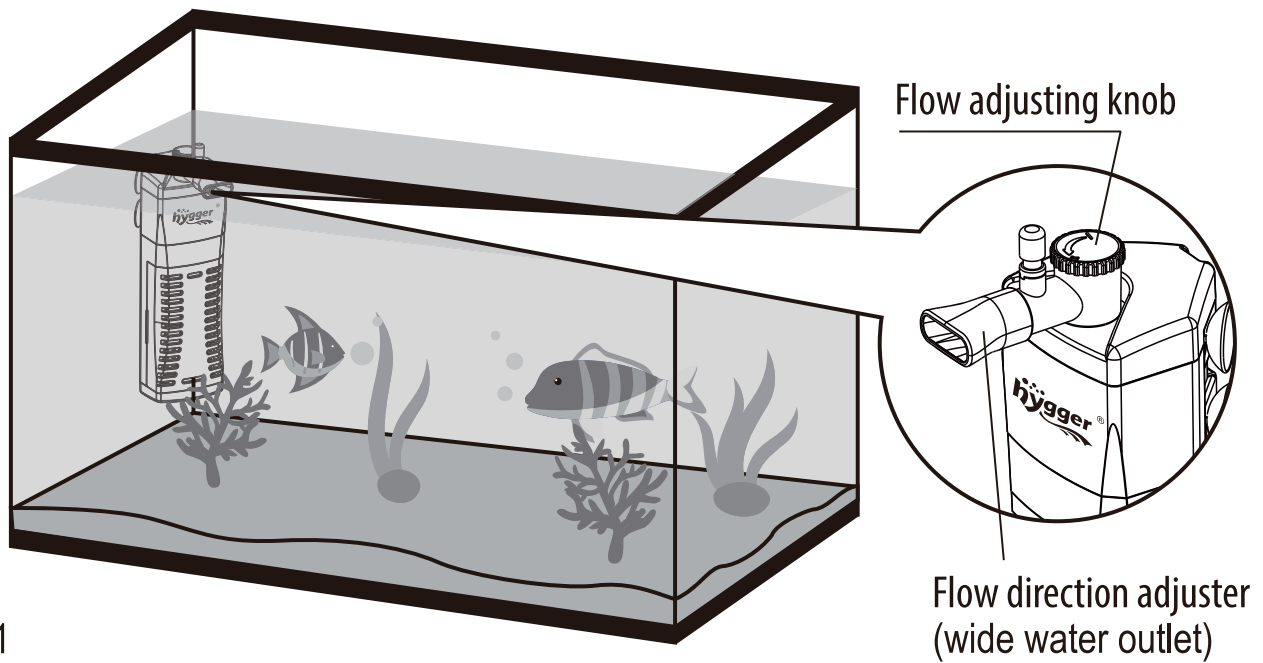


Fig.1

- Option 2

With this option, you can add oxygen for fish in aquariums.

- 1) Remove the plug at the flow adjuster.
- 2) Connect the air tubing to the air inlet and attach the air tubing to the power cord of the pump with the air tubing clip.
- 3) Do the same as option 1 to position the filter in the aquarium.
- 4) Make sure the airflow adjuster is placed outside the water.
- 5) Connect the filter to the power supply.
- 6) Adjust the airflow rate by turning the air inlet adjuster.

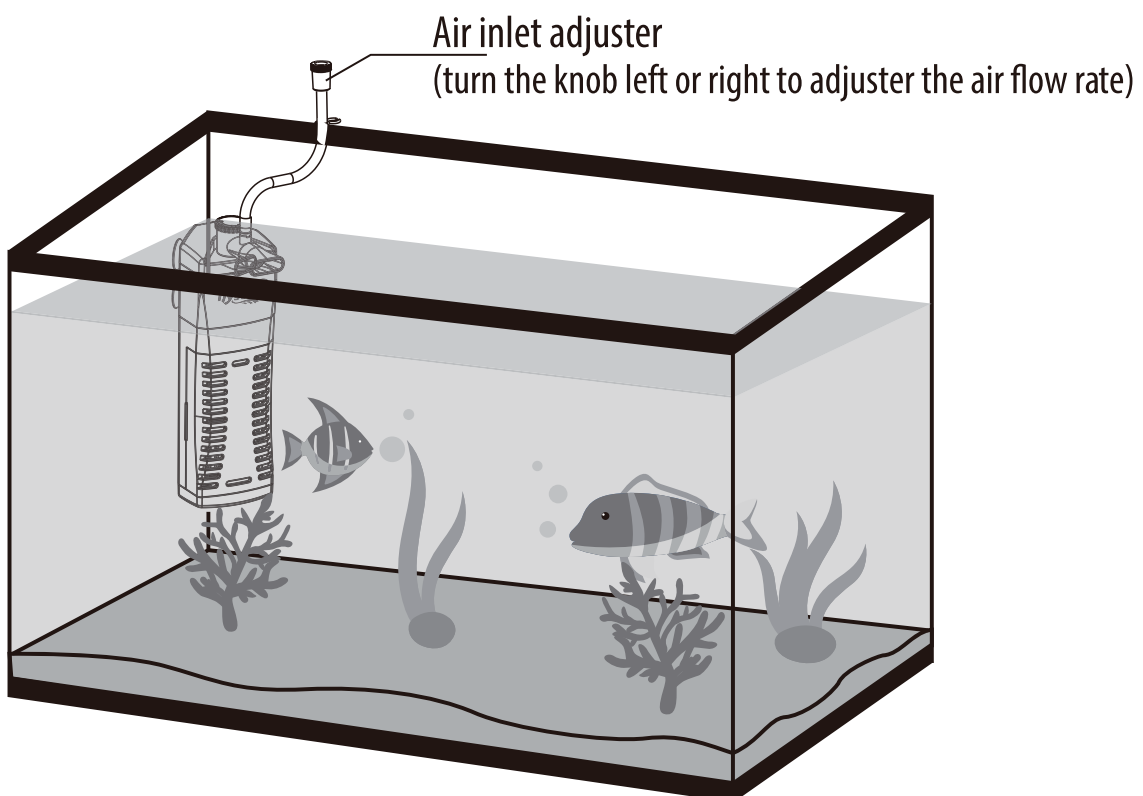


Fig.2

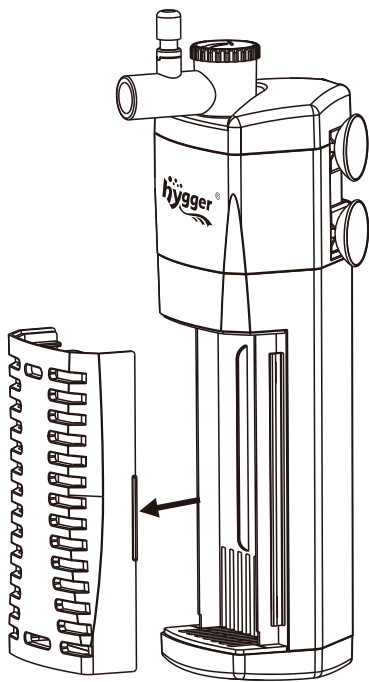


Fig.4

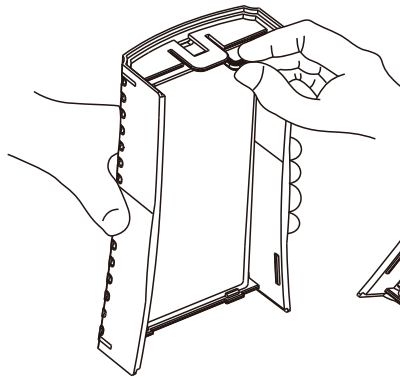


Fig.5

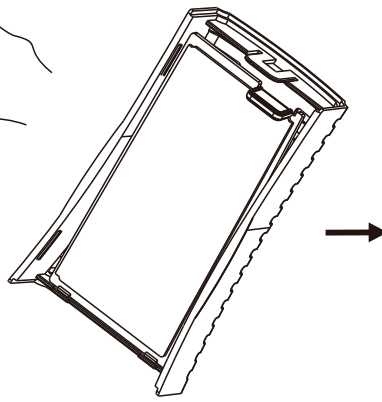


Fig.6

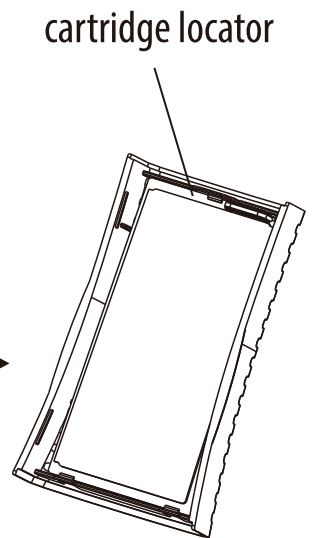


Fig.7

- Cleaning/Replacing the filter media

1.As follow to take off the back cover and take out the filter media for cleaning, and re-install.

(Fig.8~Fig.9)

2.Pull out the filter cage from the pump body and take out the replacement filter media and re-install. (Fig.10~Fig.12)

**Attention:** The best way to remove the cage is in the way of “bending a metal wire”. Do not pull at it horizontally left and right.

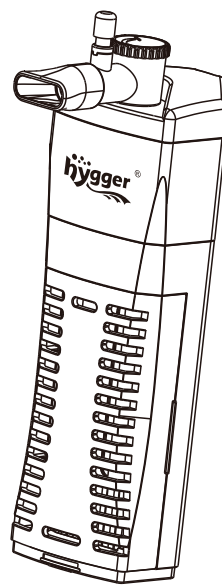


Fig.8

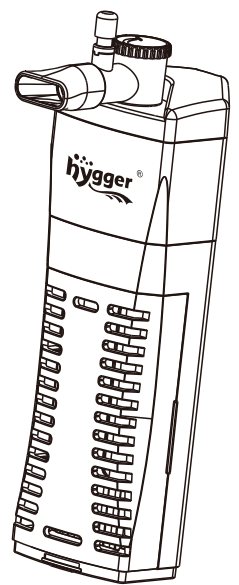


Fig.9

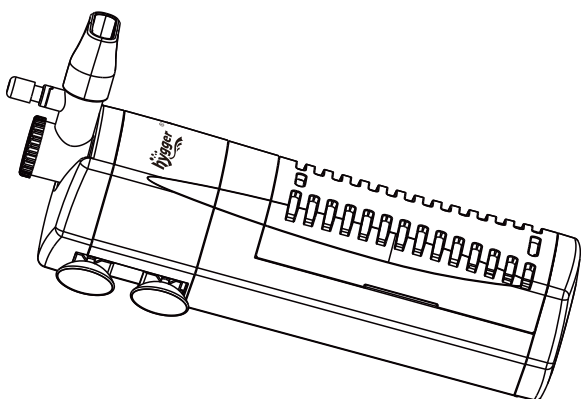
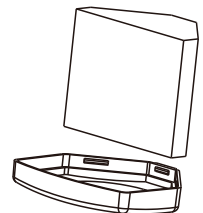
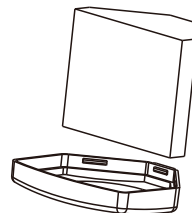


Fig.10

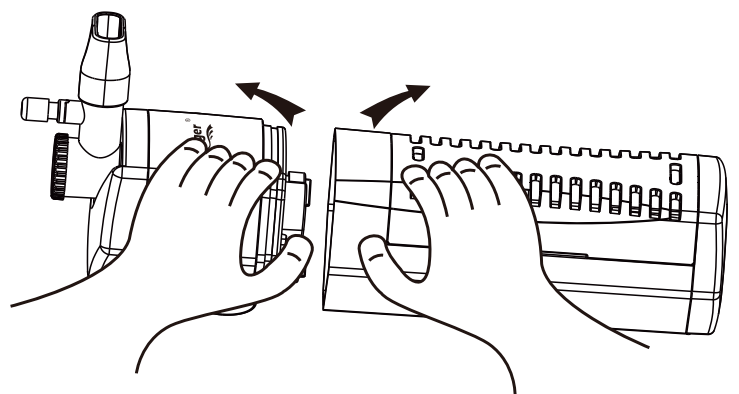


Fig.11

- Maintenance of the pump

Please unplug the power before maintenance, then pull out the filter cage , remove the impeller cover and take out the impeller for cleaning. Then re-install.

(Fig.10 , Fig.11 , Fig.13 , Fig.14)

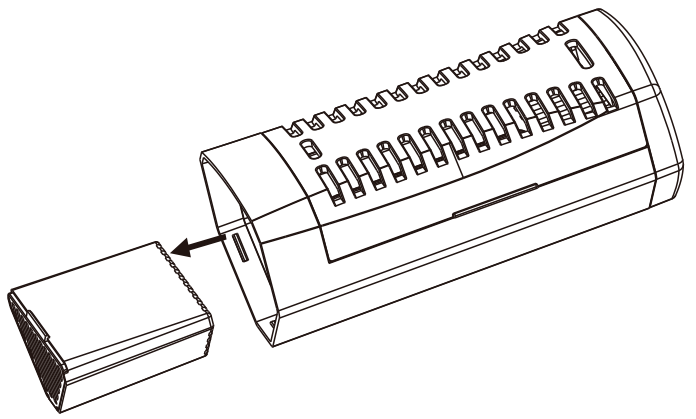


Fig.12

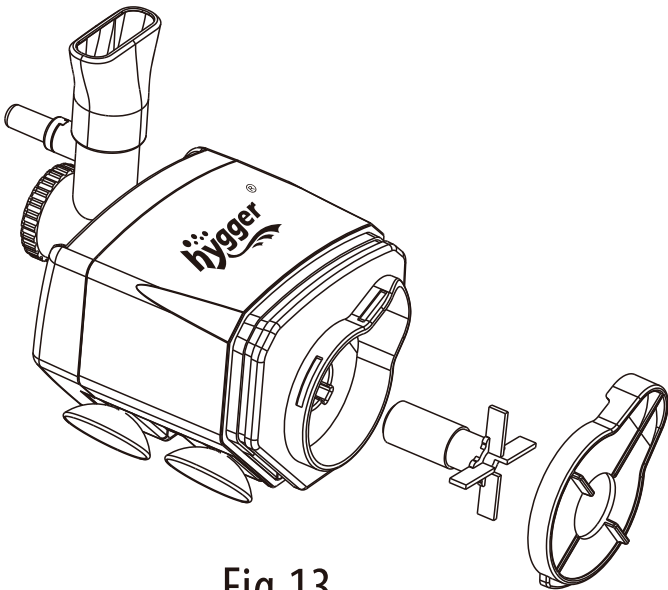


Fig.13

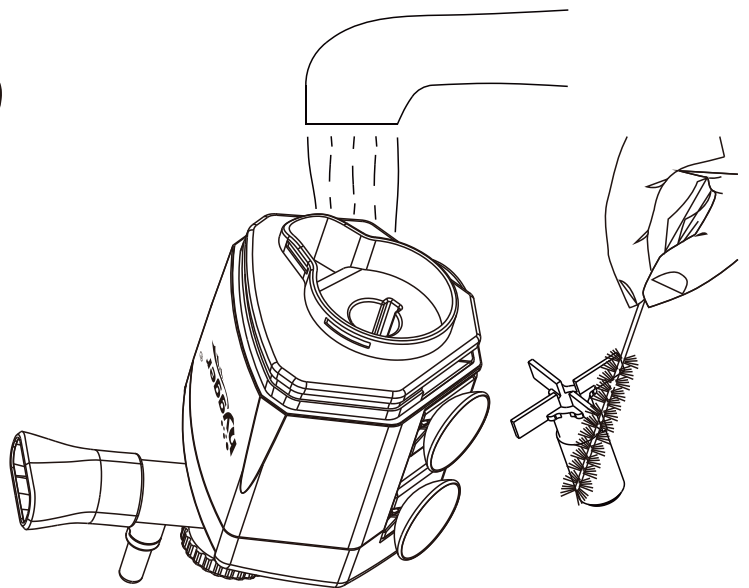


Fig.14

## 5.ATTENTION:

- 1.Please operate the appliance under the rated voltage and frequency indicated on the rating label or instruction manual.
- 2.If an abnormal smell or noise is found coming from the filter, unplug it immediately and inspect the cause.
3. Properly protect the filter. If a severe collision happens to the filter, check if there is any damage. If there is any breakage, stop using the filter and destroy it.
- 4.Do not let the filter run dry as this will damage the rotor and will cause overheating of the motor.
- 5.Always keep the filtering part not blocked. Otherwise, the flow rate will

be reduced and the impeller will stop working.

6. Do not use the filter in inflammable or corrosive liquids. The filter should be operated in an environment less than 95 °F.

#### 6. TROUBLESHOOTING:

Trouble	Solution
Pump doesn't work	The filter is not starting up
	The main power doesn't match the power specified on the filter
	Water inlet or outlet is blocked
	The impeller or rotor is damaged.
Water flow is reduced	The voltage is lower than the rated voltage
	Water inlet or outlet is partially blocked
	Wastes have accumulated in the filtering system
The filter is noisy	Water inlet is partially blocked
	Water level is lower than the inlet of the filter. Air enters into the filter causing noise.
	The rotor is worn (need to be replaced)

#### 7. PACKAGE INCLUDED:

1x Internal filter

1x user manual

#### 8. READ AND FOLLOW ALL SAFETY INSTRUCTIONS

**Warning:** To guard against injury, basic safety precautions should be



observed, including the following:

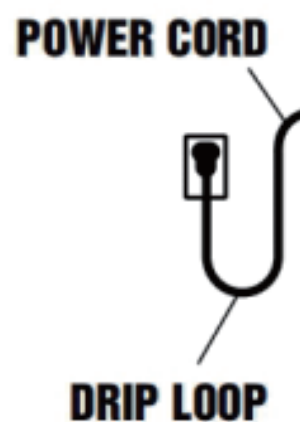
## READ AND FOLLOW ALL SAFETY INSTRUCTIONS

① You should read all the important notices on the appliance before using. Failure to do so may result in loss of fish life or damage to this appliance.

② **Danger:** to avoid possible electric shock, special care should be taken since water is employed in the use of aquarium equipment. For each of the following situations, do not attempt to repair by yourself. Return the appliance to an authorized service facility for service or discard the appliance.

**A:** Carefully examine the appliance after installation. Do not operate any appliance if it has a damaged cord or plug, or if it is malfunctioning or it is dropped or damaged in any manner. The power cord of this appliance cannot be replaced. If the cord is damaged, the appliance should be discarded. Never cut the cord.

**B:** To avoid the possibility of the appliance plug or receptacle to one side of a wall mounted receptacle to prevent water from dripping onto the receptacle or plug. A “drip loop” (see illustration) should be arranged by the user for the cord connecting appliance to a receptacle. The drip loop is that part of the cord below the level of the receptacle or the connector if an extension cord is used to prevent water travelling along the cord and coming in contact with the receptacle. If the plug or receptacle does get wet, do not unplug the cord. Disconnect the fuse or circuit breaker that supplies power to the appliance. Then unplug and examine for presence of water in receptacle.



③ This appliance is not intended for use by persons (including children) with significantly impaired physical or mental capabilities, unless they have been given supervision or instruction concerning the use of the appliance by a person responsible for their safety. Children should always be supervised to ensure that they do not play with the appliance.

④ To avoid injury, do not touch moving parts or hot parts.

⑤ CAUTION-Always unplug or disconnect all appliances in the aquarium from electricity supply before placing hands in water, before putting on or taking off parts and while the equipment is being installed, maintained or handled. Never yank cord to pull plug from outlet. Grasp the plug and pull to disconnect. Always unplug an appliance from an outlet when not in use.

⑥ Do not install or store the appliance where it will be exposed to weather or temperatures below freezing. For indoor household use only. Do not immerse.

⑦ Make sure the appliance is mounted correctly and securely positioned on the aquarium before operating the appliance.

⑧ If an extension cord is necessary, a cord with proper rating should be used. A cord rated for less amperes or watts than the appliance rating may overheat. Care should be taken to arrange the cord so that it will not be tripped over or pulled. The connection should be carried out by a qualified electrical installer.

⑨ The socket-outlet shall be installed near the equipment and shall be easily accessible.

## **9.DISPOSAL**

Do not dispose of this product as unsorted municipal waste. Collection of such waste separately for special treatment is necessary. This product must not be disposed of together with the domestic waste. This product has to be disposed of in an authorized place for recycling electrical and electronic appliances. By collecting and recycling waste, you help save natural resources, and make sure the product is disposed of in an environmentally friendly way.



## **10.WARRANTY**

1. 1-year free warranty.

2. 1-month free return.
3. Free replacement for 3 months.

## 11. CONTACT INFORMATION:

E-mail: [Support@petnannystore.com](mailto:Support@petnannystore.com)

Website: [www.petnannystore.com](http://www.petnannystore.com)

Thank you for choosing Hygger, making aquarium keeping easier one product at a time. If you have any problems or suggestions for internal filter, please contact us by email before leaving feedback or opening a case, it will be the fastest way to solve your problem. If you are satisfied with the internal filter, please leave positive feedback for our product, in order to let more customers enjoy it. Thanks again!



MADE IN CHINA