

**Petnanny**

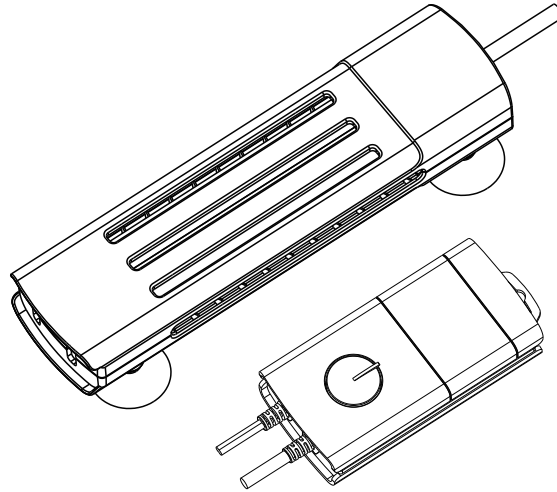
E-mail: [Support@petnannystore.com](mailto:Support@petnannystore.com)

Website: [www.petnannystore.com](http://www.petnannystore.com)



# **HG-003 USER MANUAL**

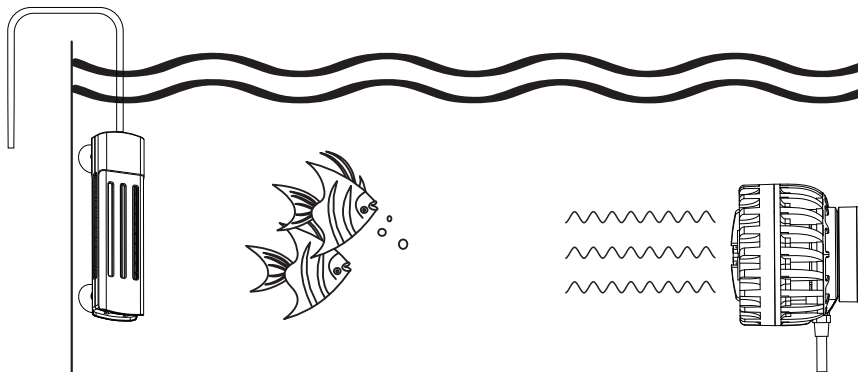
**HYGGER Variable Frequency Quartz Aquarium Heater**



HYGGER heater is the perfect aquarium heater for your freshwater or saltwater aquariums.

## ! **Attentions :**

1. Place the HYGGER heater fully submersible when it's on, and the maximum submersed depth is 80CM/31.5inch.
2. Unplug the heater and wait for 15 minutes before changing water or removing the heater.
3. Please make sure there is enough water flow and water circulation in your fish tank when using the heater .



4. **Reminder: The controller is not waterproof, please do not allow it to get wet.**

# 1. PRODUCT FEATURES

**Fully submersible and make sure enough water flow use:** The heater must be fully submerged to work properly and make sure fish tank has enough water flow or water recycle system in your fish tank.

**Rapid thermal accumulation:** The heating rod is made of explosion-proof quartz glass material and a high-temperature resistant nickel-chromium heating wire with silicon carbide heat conduction; this results in faster water heating and safer, more durable, long lasting heater. Double heating rod makes more powerful.

**LED digital temperature display:** LED digital display flash shows default setting is Fahrenheit for the current water temperature and long press 2seconds to adjust the set temperature. Every accuracy changes the set temperature by 0.5°F.

The heater rod temperatures ranges from 54°F to 90°F in order to prevent harm to livestock.

**Precise temperature control and variable frequency energy saving:** Indicator light turns red and starts heating when the temperature is set finished. It turns to the green when the water temperature reaches the set temperature and stop heating. When the set temperature is lower than 1°F , it will automatically change to the blue indicator light for the variable frequency mode and enter to 50% power heating to save energy.

**Easy operation:** The external adjustable controller is easy to be set and operation. Connect to the socket and use directly. The clear LED display is easy to read and set!54

**Auto power off and warning signals:** When the heating rod is exposed to air, the heater will shut off automatically and emit a warning signal. When the heating rod is completely immersed in water, it will start working again. It will abnormal alarm when it's over temperature.

**Accurate, Reliable, and Durable:** Special nature white quartz tube are made of premium materials and with precise scientific design, our heater will provide years of reliable use.

**Memory function:** If power is shut off, the heater will keep the temperature settings when it powers on again.

## **2. PRODUCT PARAMETERS:**

<b>Model No:</b>	<b>HG-003</b>		
<b>Power:</b>	200W	300W	500W
<b>Voltage</b>	110V/60Hz		220V-240V /50Hz
<b>Cord length:</b>	4.9ft+4.9ft/ 1.5M +1.5M	4.9ft+4.9ft/ 1.5M +1.5M	4.9ft+4.9ft/ 1.5M +1.5M
<b>Application:</b>	20-40Gal/ 90~180L	30-60Gal 135~270L	50-100Gal/ 225~450L
<b>Temp Accuracy:</b>	±1°F/±1°C	±1°F/±1°C	±1°F/±1°C
<b>Control Range:</b>	54°F~90°F/12-32°C	54°F~90°F/12-32°C	54°F~90°F/12-32°C
<b>Heating Rod Dimension:</b>	9.21x2.48x1.34inch	9.21x2.48x1.34inch	12.36x2.87x1.5inch
<b>Temp Controller Dimension:</b>	6.22x2.87x1.18inch	6.22x2.87x1.18inch	6.22x2.87x1.18inch

### 3.USE INSTRUCTION:

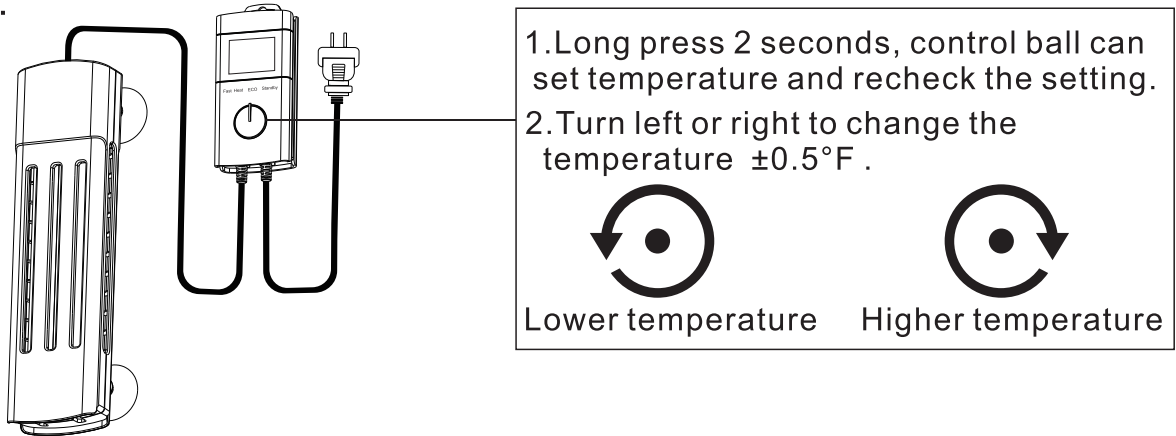
**Step 1:**The heater must be fully submerged and then plug into socket.

**Step 2:**LED display shows current fish tank water temperature.(It is best to heat for 15 minutes as the real-time temperature of the fish tank)

**Step 3:**Long press on control ball in the central of the controller and the screen is flashing around 2 seconds, rotate control ball left and right which can adjust the setting temperature.

**Important Reminder:**If an E3 error code occurs,long press control ball and plug in together ,then can rotated the control ball to set the same temperature with fish tank.

**Step 4:**Use a magic tape and stick the controller onthe fish tank when the setting is done.



## 4.Trouble shooting

Error Code	Failure cause	Solution
LL	Temperature sensor 1 failure	Re-plug in
HH	Temperature sensor 2 failure	Re-plug in
E1	1.Out of water sensor is error	Re-plug in and submersed in water.
	2.No warning sound if out of water	Remove the cover and clean the heater.If still don't work ,please return.
No display on LED screen	PCB board error	Check if the socket is loose, and then re-plug in
LED display shown temperature tolerance $\pm 1^{\circ}\text{F}$ or above	<ol style="list-style-type: none"><li>1.No enough water recycle</li><li>2. Different thermometer has difference tolerance</li></ol>	<ol style="list-style-type: none"><li>1.Check if the heater rod is put on the correct position.</li><li>2.Check if has the enough water recycle.</li><li>3.Try to check more thermometer.</li></ol>
E2	Poor water recycle and put wrong position	<ol style="list-style-type: none"><li>1.Check if has enough water flow and if the heating rod be put on the correct position.</li></ol>
	Components are faulty	Check the tank temperature if it's over $95^{\circ}\text{F}$ or not.



E3	Fish tank water temperature has several degree differences with the heater temperature	Re-calibrate after measuring the water temperature with a thermometer. long press control ball and plug in together ,then can rotated the control ball to set the same temperature with fish tank.
Power-on trip	1.Other items in the tank is leaking electricity	Turn off other electrical appliances to confirm whether
	2.The heater leaking electricity	The heating rod is leaking electricity
White or yellow attachments	Scale	Use special scale remover to clean
E4	Flat power grid interference	Restart or return

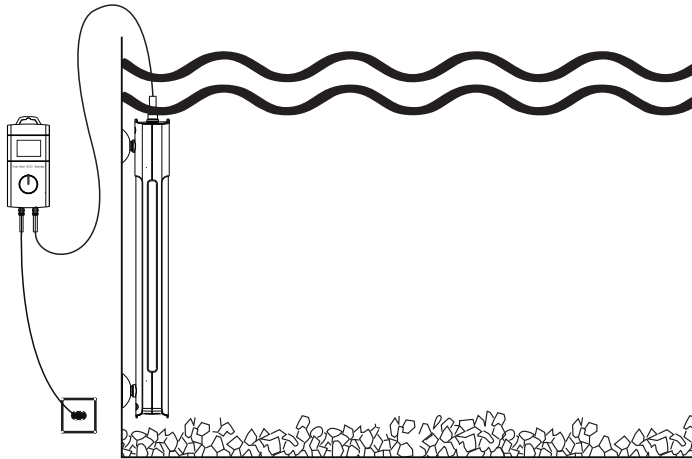
## 5.PACKAGE INCLUDED

1×Double quartz heater with LED digital controller

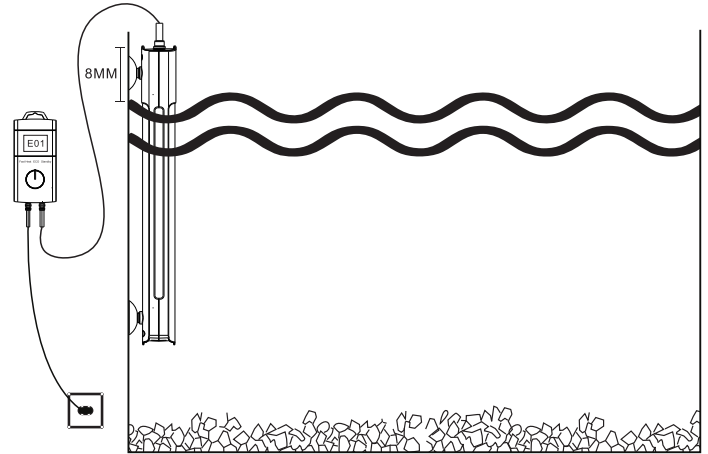
4× Suction cup      1× Magic sticker      1× User manual

## 6. APPLICATION

A. Place the heater as shown in the following diagram:



**A**



**B**

B. Digital display models

1. Out of water: The heating rod is out of water (at least 8mm/ 0.03inches) and displays the fault code “E01”; the heater will make the warning sound.

**7.WARNING:** To guard against injury, basic safety precautions should be observed including the following:

1.Read and follow this user manual strictly.

2.DANGER-To avoid possible electric shock, special care should be taken since water is employed in the use of aquarium equipment. For each of the following situations, do not attempt to repair yourself; return the heater to an authorized service facility for service or discard the heater.

- A.If the heater shows any sign of abnormal operation, unplug the power and remove the heater from water after 15 minutes.
- B.Carefully examine the heater after installation. It should not be plugged in if there is water on parts not intended to be wet.
- C.Do not operate the heater if it has a damaged cord or plug, if it is malfunctioning, or if it is dropped or damaged in any manner. The power cord of this heater cannot be replaced; if the cord is damaged, the heater should be discarded.

D. To avoid the possibility of the heater plug getting wet, position aquarium stand and tank to one side of a wall mounted outlet to prevent water from dripping onto the outlet or plug. A “drip loop”, shown in the figure below, should be arranged by the user for each cord connecting the heater to the outlet. The “drip loop” is the part of the cord below the level of the outlet, or the connector. If an extension cord is used, to prevent water traveling along the cord and coming in contact with the outlet. If the plug or outlet does get wet, DO NOT unplug the cord. Disconnect the fuse to the circuit breaker that supplies power to the heater. Then unplug and examine for the presence of water in the outlet.

3. Close supervision is necessary when the heater is used near children. Daily supervision is necessary when the heater is being used.

4. This heater is not allowed to use by persons (including children) with reduced physical, sensory or mental capabilities, or lack of experience and knowledge, unless they have been given supervision or instruction concerning use of the heater by a person responsible for their safety.

5. To avoid injury, do not contact moving parts or hot parts.

6. Always unplug the heater from the outlet when not in use, before putting on or taking off parts, before maintenance, or placing hands in the water. Never yank the cord to pull plug from outlet. Grasp the plug and pull gently to disconnect.

7. Do not use the heater for other than intended use. The use of attachments not recommended or sold by the appliance manufacturer may cause an unsafe condition and will void the warranty.

8. Do not install or store the heater where it will be exposed to the weather or to temperatures below freezing.

9. Only use in freshwater or saltwater aquariums; do not use the heater in other liquids.

10. Make sure the heater is securely installed before operating it.

11. Read and observe all the important notices on the heater.

12. If an extension cord is necessary, a cord with a proper rating should be used. A cord rated for less amperes or watts than the heater rating may overheat. Care should be taken to arrange the cord so that it will not be tripped over or pulled.

13. The heater is intended FOR HOUSEHOLD USE ONLY.

14. SAVE THIS USER MANUAL.

## **8.ATTENTIONS**

- ✓ Please check all the items to inspect condition when unboxing the package.
- ✓ Please read the instructions carefully. Use and follow the instructions strictly.
- ✓ Please choose a heater rated for your aquarium.
- ✓ Please place the heating rod in water flow and don't bury it in substrate.
- ✓ Please place the heating rod fully submerged in water when it's on duty.  
Unplug the heater and wait for 15 minutes before changing water or removing the heater.
- ✓ Please keep in mind that the heater can be turned off automatically when exposed to air, but it is a last resort and should be avoided.
- ✓ After using of the heater, calcium carbonate contained in algae or moss may clump and adhere to the heating rod.
- ✓ If dirt adheres to the heating rod, use a sponge or cloth and water to wipe it.  
Do not use alcohol or other chemicals as this may damage the heater harm fish or livestock.

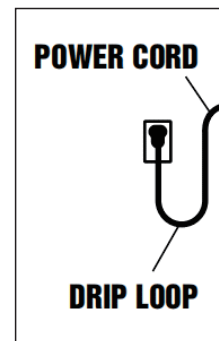
- ✓ When used for a prolonged period with dirt adhered to the heating element, be aware that it may cause failure due to the inability to control the temperature correctly.

## 9.DISPOSAL

Do not dispose this product as unsorted municipal waste. Collection of such waste separately for special treatment is necessary. This product must not be disposed together with the domestic waste. This product has to be disposed at an authorized place for recycling of electrical and electronic appliances. By collecting and recycling waste, you help save natural resources, and make sure the product is disposed in an environmentally friendly way.

## 10.WARRANTY

1. 1-year free warranty.
2. 1-month free return.
3. Free replacement for 3 months.



## **11.CONTACT INFORMATION:**

Company Name :Shenzhen Aiku Pet Technology Co.,Ltd  
Add:Room 501,No.20,Lane 1,Lishipai,Dafapu Community  
Bantian Street,Longgang District ,Shenzhen Guangdong. 518000  
E-mail: Support@petnannystore.com  
Website: www.petnannystore.com



**Thank you for choosing HYGGER, making aquarium keeping easier one product at a time.**

**If you have any problems or suggestions for the variable quartz heater, please contact us by email before leaving feedback or opening a case, it will be the fastest way to solve your problem. If you are satisfied with the variable quartz heater, please leave positive feedback for our product, in order to let more customers enjoy it. Thanks again!**





Puhui Import und Export GmbH  
Birnbbaumsmühle 65 Frankfurt(Oder) 15234  
Briefkasten: admin@puhui-jk.de  
Telefonnummer: +03381-2697990



CET PRODUCT SERVICE LTD.  
Chase Business Centre, 39-41 Chase Side,  
London N14 5BP United Kingdom  
info.cetservice@gmail.com  
TEL:+447419325266

