

Petnanny

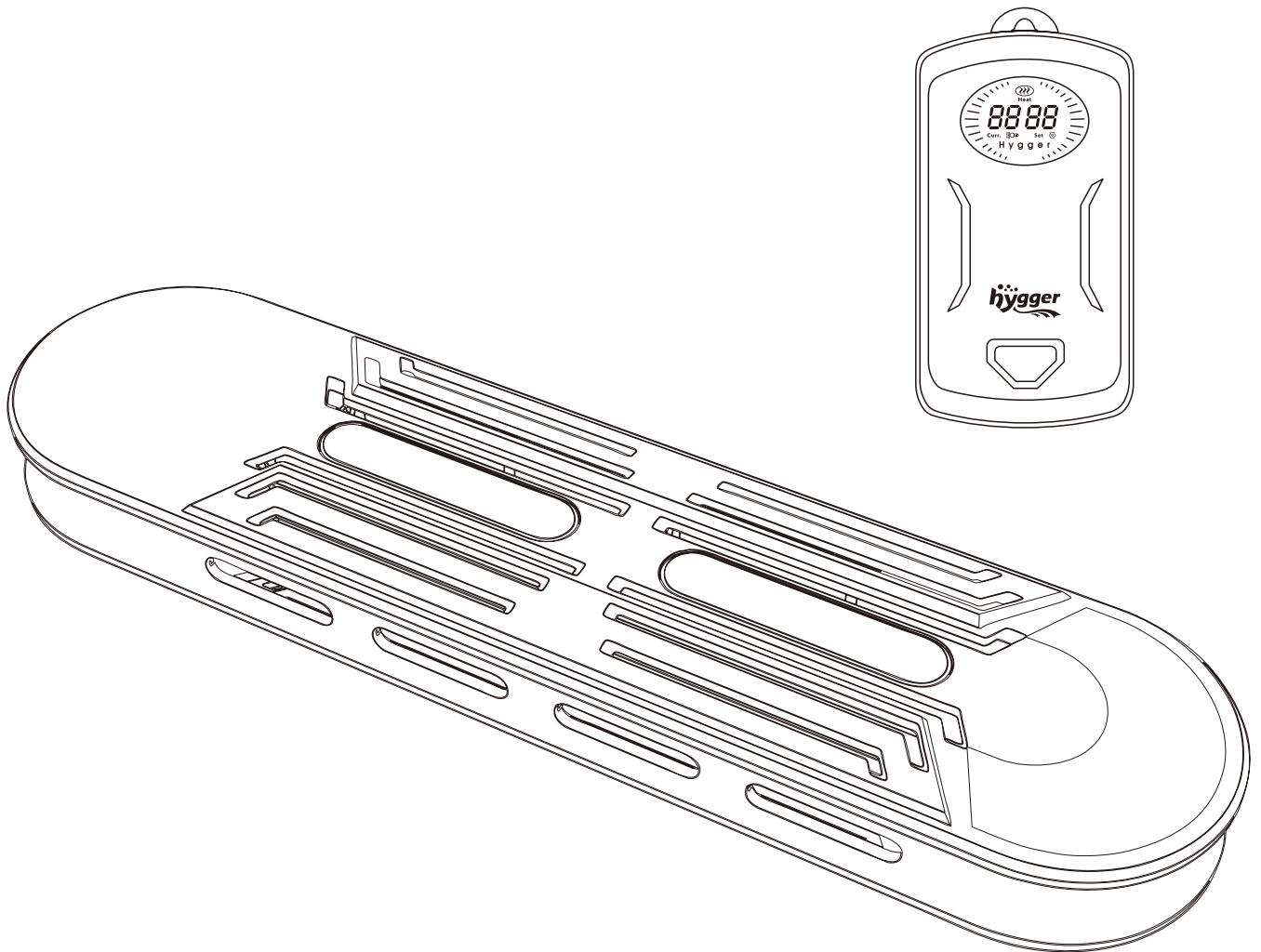
E-mail: Support@petnannystore.com

Website: www.petnannystore.com



HG-001 USER MANUAL

Hygger Double Tubes Quartz Aquarium Heater



Please read this user manual carefully before using and follow strictly in accordance with the manual.

1.PRODUCT FEATURES

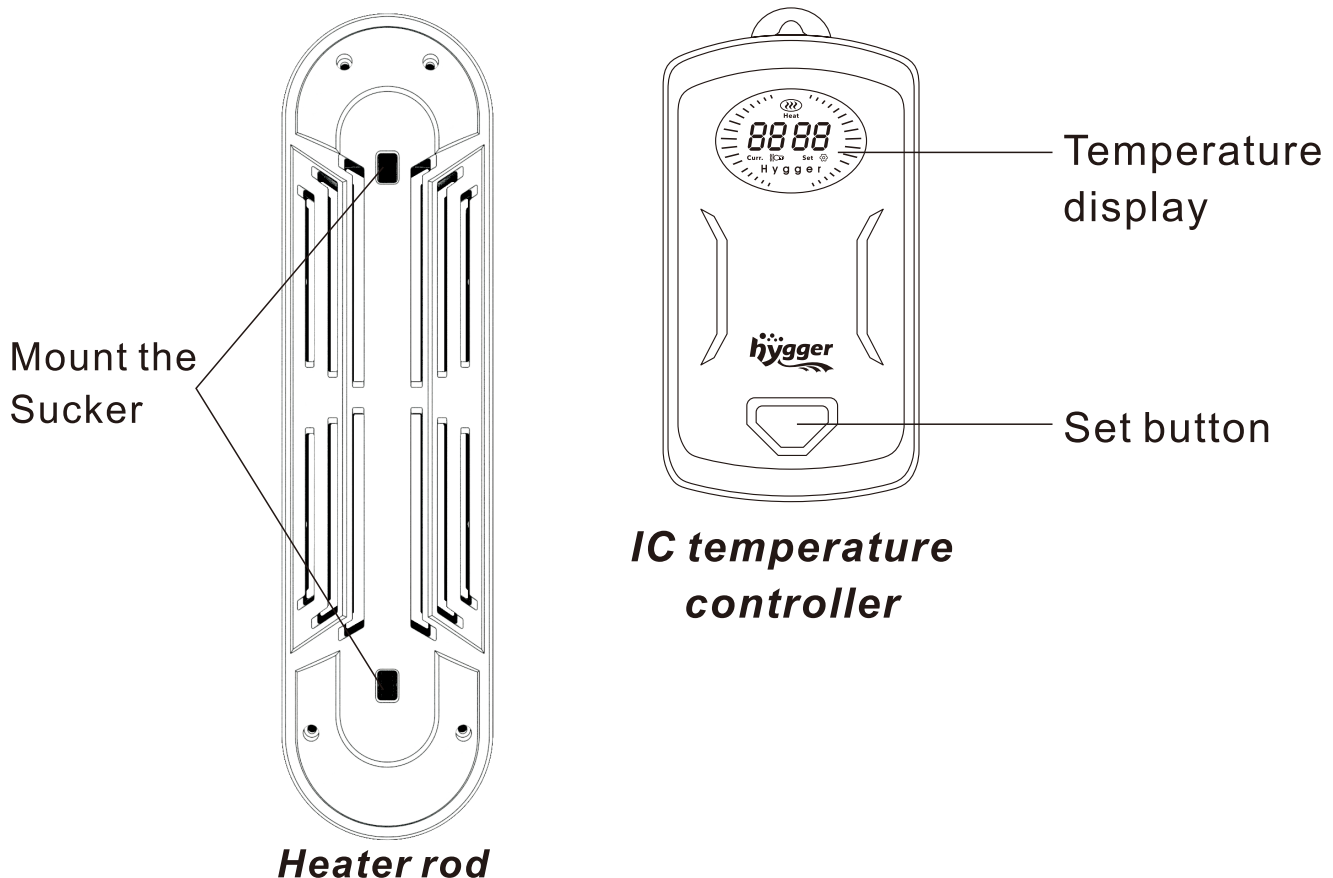
- **Fully submersible:** The heater must be fully submerged to work properly.
- **Rapid thermal accumulation:** The heating rod is made of explosion-proof quartz glass and a high-temperature resistant nickel-chromium heating wire with silicon carbide heat conduction; this results in faster water heating and a safer, more durable, long-lasting heater. Double heating rod makes heating more efficient.
- **External temperature display:** LED digital display screen shows default setting of fahrenheit for the current water temperature and preset temperature. Every touch changes the set temperature by 1°F. Marquee indicates shows the heating status.
- **Precise temperature control:** Adjustable temperature from 59°F-93°F to maintain constant and stable temperature for fresh or marine water.
- **Auto power off and warning signal:** When the heating rod is exposed to air, the heater will shut off automatically and emit a warning signal. When the heating rod is completely immersed in water, it will start working again.
- **High-temperature resistant safety cover:** High quality and high temperature resistant PC plastic cover prevents fish from being harmed.

2.PRODUCT PARAMETERS

Model No:	HG-001	
Power	500W	800W
Voltage	110V/60Hz	
Cord length	6.3ft+4ft	6.3ft+4ft
Fish tank size	66-120Gal	80-190Gal
Temp Accuracy	±1°F	±1°F
Control Range	59°F~93°F	59°F~93°F
Heating Rod Dimension	11.4x2.95x1 inch	11.4x2.95x1 inch
Temp Controller Dimension	5.1x3x1inch	5.1x3x1 inch

3. INSTRUCTIONS

- Before plugging the appliance into the power source, please install the appliance safely.
- Refer to the recommended tank and heater size chart to choose the most suitable heater for the desired temperature.
- Plug in and the IC temperature controller will display the water temperature and the preset temperature. Press the “SET” button until it reaches your desired temperature and the digital temperature will flash five times on the display. You can press the “SET” button repeatedly to choose between 59~93°F. If it is set to 82°F, the heater will heat the water to 82°F and then switch off when the set temperature is reached. During the heating process, the light on the display will flash, and when it reaches to the set temperature, the light will stop flash. If the heater has been working for more than 24 hours and the water temperature is 2 degrees more or 2 degrees less than the set temperature, check that:
 - 1.If the power has been switched on.
 - 2.If the temperature has been set correctly.
 - 3.If the heater is submerged under the water level.
 - 4.If the water is circulating well, do not place the heater directly under the filter’s spillway. If it was unavoidable, slow down the water flow.



4.MAINTENANCE:

- Unplug or switch off all appliances in the aquarium before carrying out maintenance.
- Do not use detergents or other chemical cleaners.
- To clean the heater, unplug it first and then leave the heater in the tank for 15 minute and remove it from the tank. Wash the heater in clean water.
- When reinstalling the heater, select you desired location and position the heater below the water.
- This appliance has no parts that can be repaired by users.
- For indoor use only, not in the bathroom.

5.ATTENTION

- DO NOT power on the heater before you put it in the water.
- If you want to move the heater or change the aquarium water, you need to turn off the heater first and wait until the temperature drops to normal temperature.
- It is suggested that the heater is submersed more than 5 inch below the water.
- This product is not supposed to be used by children or those without independent working abilities.

6.TROUBLESHOOT

Fault Code	Explanation	Solutions
E1	Heating rod is exposed to air.	Place the heating rod fully in water.
HH	The water temp is higher than 95°F.	Cool the water to return it to normal temperature.
EE	There is a 5° temperature difference detected by two sensors.	Discard the heater
E4	Over voltage fault	Discard the heater
H1 H2 E2 E3	Temperature sensor is short-circuit protection.	Discard the heater

7. READ AND FOLLOW ALL SAFETY INSTRUCTIONS

WARNING:

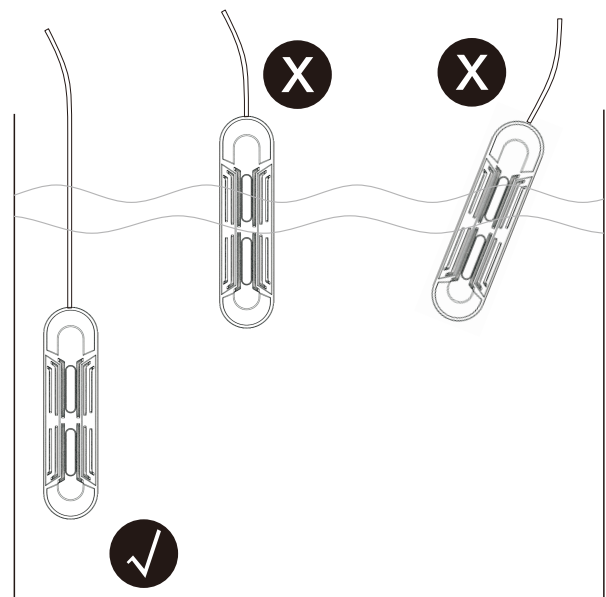
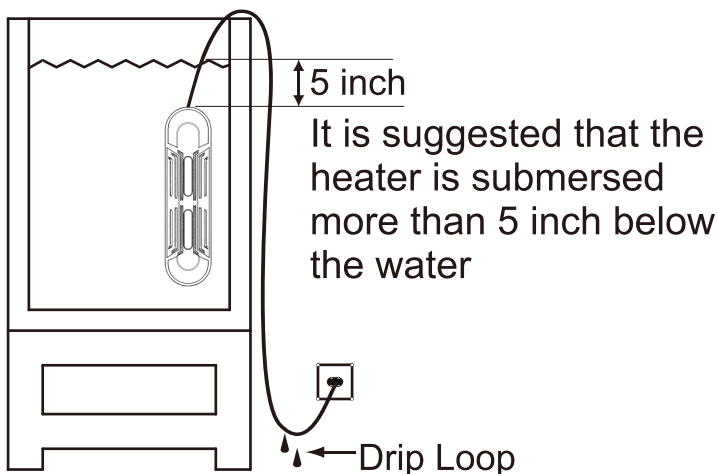


To guard against injury, basic safety precautions must be observed, including the following:

READ AND FOLLOW ALL OF THE SAFETY INSTRUCTIONS AND NOTICES ON THE APPLIANCE.

DANGER: To avoid possible electric shock, special care should be taken since water is employed in the use of aquariums and pond. For each of the following situations, do not attempt repairs by yourself; return the appliance to an authorized service facility for service, or discard the appliance.

- A. If the appliance shows any sign of abnormal water leakage, immediately unplug it from the power source.
- B. Carefully examine the aquarium heater after installation. It should not be plugged in if there is water on parts not intended to be wet.
- C. Do not operate any appliance if it has a damaged cord or plug, if it is malfunctioning or it has been dropped or damaged in any manner.



1. To avoid the possibility of the appliance plug or outlet getting wet, position aquarium stand and tank to one side of a wall-mounted outlet to prevent water from dripping onto the outlet or plug. A drip loop, shown in the figure above, should be arranged by the user for each cord.
2. If the plug or outlet does get wet, DO NOT unplug the cord. Disconnect the fuse or circuit breaker that supplies power to the appliance. Then unplug and examine for presence of water in the outlet.

- 3.If an extension cord is necessary,a cord with the proper rating should be used.A cord rated for less amperes or watts than the appliance rating may result in overheating.Care should be taken to arrange the cord so that it will not be tripped over or pulled.
- 4.Close supervision is necessary when any appliance is used by or near children.
- 5.To avoid injury,do not touch moving parts or hot parts such as heaters, reflectors,lamp bulbs or the like.
- 6.Always unplug an appliance from an outlet when not in use,before putting it on or taking off parts or before cleaning.Never yank the cord to pull the plug from the outlet.Grasp the plug and pull to disconnect.
- 7.Do not use an appliance for other than the intended use.The use of attachments not recommended or sold by the appliance manufacturer may cause an unsafe condition
- 8.Do not install or store the appliance where it will be exposed to the air or to temperatures below freezing.
- 9.Make sure an appliance mounted on a tank is securely installed before operating it.

8. PACKAGE INCLUDED:

- 1x aquarium heater
- 1x user manual
- 2x sucker

9. WARRANTY:

1. 1-year free warranty.
2. 1-month free return.
3. Free replacement for 3 months.
4. Contact information:

Website: www.petnannystore.com

E-mail: Support@petnannystore.com

Thank you for choosing Hygger, making aquarium keeping easier one product at a time.If you have any problems or suggestions for aquarium heater, please contact us by email before leaving feedback or opening a case, it will be the fastest way to solve your problem.If you are satisfied with the aquarium heater, please leave positive feedback for our product, in order to let more customers enjoy it. Thanks again!

Website: www.petnannystore.com

E-mail: Support@petnannystore.com