

Petnanny

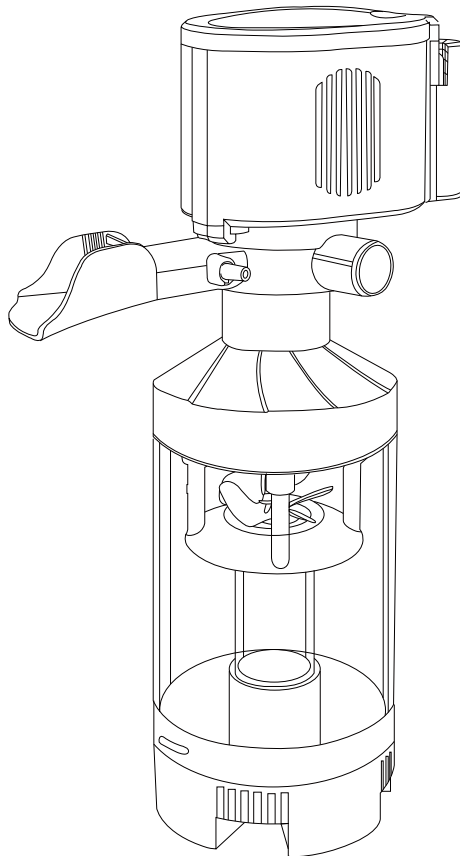
E-mail: Support@petnannystore.com

Website: www.petnannystore.com



AQ-028 USER MANUAL

AQUARIUM FILTER WITH FISH WASTE COLLECTION



AQQA new design aquarium fish waste collection is intended for your tank collect the fish feces and make your tank more beautiful and clean. Please read this manual carefully before using and follow the instructions carefully.

1.PRODUCT FEATURES

Automatically collects fish waste:Efficient water pump absorbs fish feces where is it collected into a collection container.

Isolates fish waste to purify the water:Isolating the fish feces purifies the water to avoid pollution, and keeps your tank looking clean and beautiful.

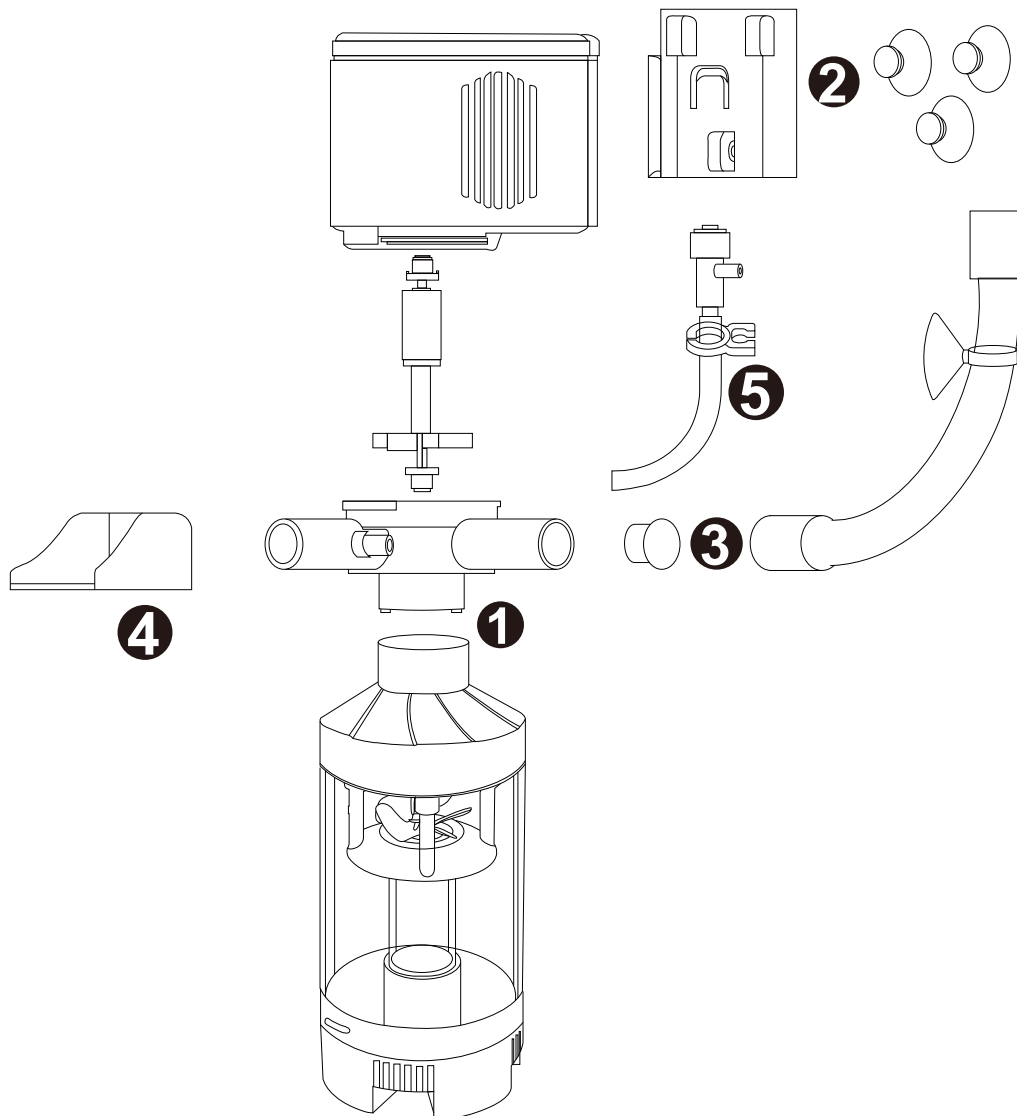
Easy to clean and saves money:The fish waste collected into the container is easy to remove and clean while saving you from paying for the filter pads.

5-in-1 Multi-function use:Increase oxygenation, wave maker, water change,filter and fish waste collection for your tank.Only for fish tank in up to 50 gallon aquariums.

2.PRODUCT PARAMETERS

Item No.	Size(inch)	Voltage	Consumption (W)	Flow Rate (GPH)	Cord Length
AQ-028	10.24"H x2.64"Dia	110V/60Hz	8W	210	5.9ft

3.INSTALL INSTRUCTION:



- ① Connect collection container into the water inlet pipe
- ② Install water pump stand with 3pcs suction cups
- ③ Install plastic plug (if you need to change the water then connect the water pipe)
- ④ Install wave maker header
- ⑤ Connect the oxygen pipe and adjustable valve.

4.ATTENTION:

- ✓ Please read the manual carefully before using.
- ✓ Please keep the power supply away from water, the power supply is not waterproof.
- ✓ Please keep the pump away from flammable items.
- ✓ Please unplug the power and contact the seller if the pump is not working properly, ****OPENING WILL VOID WARRANTY****
- ✓ Please unplug the power before maintenance.

5.PACKAGE INCLUDES:

1×Fish Poop Toilet with Power Supply

1×Oxygen Pipe

1xAdjustable Oxygen Valve

1x Inlet/Outlet Pipe

1x Wave Head

1×User manual

6. WARNING:

To avoid possible electrical shock, do not immerse the switch in water. If the switch falls into the water, or otherwise becomes wet, do not touch it until you have unplugged it. Basic safety precautions should be observed including the following:

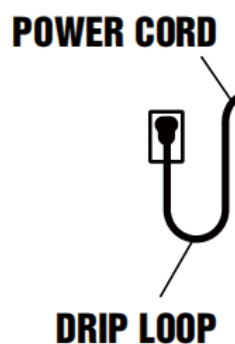
① Read and follow this user manual strictly.

② **DANGER**-To avoid possible electric shock, special care should be taken. For each of the following situations, do not attempt to repair yourself; return the light to an authorized service facility for service or discard the light.

A.Carefully examine the plug after installation. It should not be plugged in if there is water on parts not intended to be wet.

B.Do not operate the product if it has a damaged cord or plug, if it is malfunctioning or if it is dropped or damaged in any manner. The power cord of this filter cannot be replaced, if the cord is damaged, the filter should be discarded.

C. To avoid the possibility of the plug getting wet, position aquarium stand and tank to one side of a wall mounted receptacle to prevent water from dripping onto the receptacle or plug. A “drip loop”, shown in the figure below, should be arranged by the user for each cord connecting this product to the receptacle. The “drip loop” is the part of the cord below the level of the receptacle, or the connector. If an extension cord is used, to prevent water traveling along the cord and coming in contact with the receptacle. If the plug or receptacle does get wet, DO NOT unplug the cord. Disconnect the fuse to the circuit breaker that supplies power to the product. Then unplug and examine for the presence of water in the receptacle.



- ③ Close supervision is necessary when the power supply is used near children.
- ④ To avoid injury, do not touch moving or hot parts.
- ⑤ Make sure the plug is securely installed before operating it.
- ⑥ Read and observe all the important notices on the product.

⑦ If an extension cord is necessary, a cord with a proper rating should be used. A cord rated for less amperes or watts than the appliance rating may overheat. Care should be taken to arrange the cord so that it will not be tripped over or pulled.

⑧ The filter is intended FOR HOUSEHOLD USE ONLY.

⑨ SAVE THIS USER MANUAL.

7.WARRANTY:

- ① 1-year free warranty.
- ② 1-month free return.
- ③ Free replacement for 3 months.

8.DISPOSAL

Do not dispose this product as unsorted municipal waste. This product must not be disposed together with the domestic waste it must be disposed of at an authorized place for recycling of electrical and electronic appliances. By collecting and recycling waste, you help save natural resources, and make sure the product is disposed in an environmental friendly way.



9. Contact information:

Company Name:Shenzhen Aiku Pet Technology Co.,Ltd

Add:Room 501,No.20,Lane 1,Lishipai,Dafapu Community Bantian Street,
Longgang District,Shenzhen Guangdong.518000

Website: www.petnannystore.com

E-mail: Support@petnannystore.com

Thank you for choosing AQQA. Making aquarium keeping easier one product at a time.

If you have any problems or suggestions for the AQQA aquarium fish waste collection, please contact us by email before leaving feedback or opening a case, it will be the fastest way to solve your problem. If you are satisfied with this product, please leave positive feedback for our product in order to let more customers enjoy it.

Thanks again.