

Petnanny

E-mail: Support@petnannystore.com

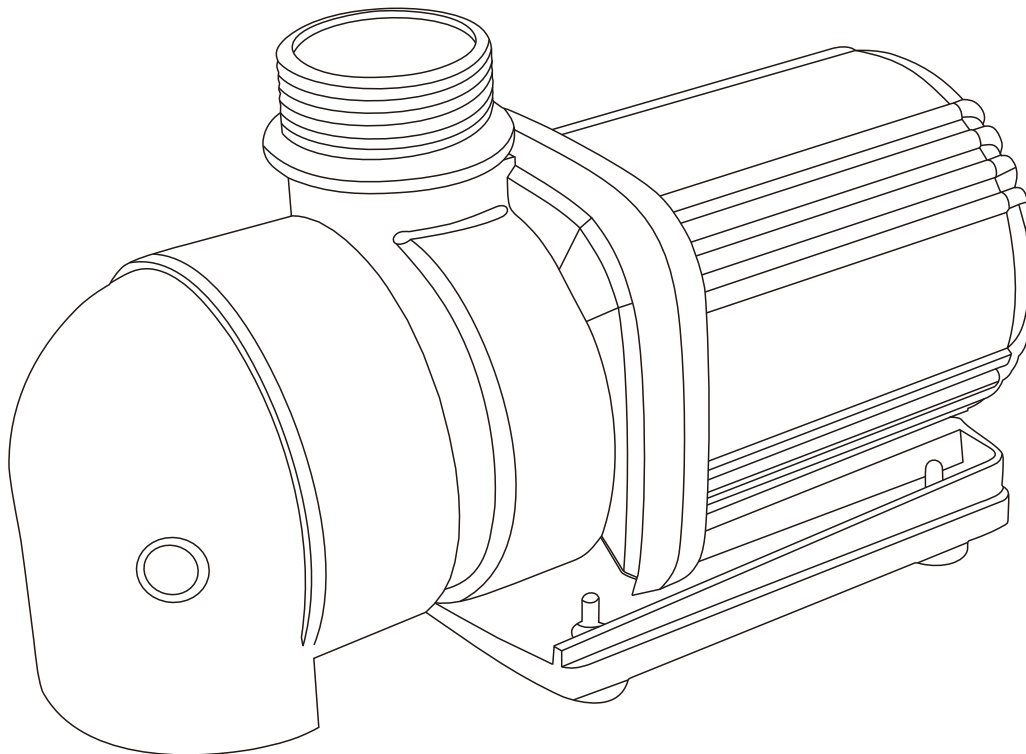
Website: www.petnannystore.com



AQ-006 SERIES USER MANUAL

AQQA AQUARIUM INTELLIGENT VARIABLE FREQUENCY WATER PUMP

Aqqa Aquarium Intelligent Variable Frequency Water Pump is the perfect circulation pump for a variety of aquariums, sumps, pond.



1. PRODUCT FEATURES

Quiet and powerful operation: Sine wave technology makes the pump run smooth and ultra-quiet.

Two working modes:

- Set mode: Two modes of operations: constant speeds and wave maker.
- Feed mode: Optional adjustable feeding time of 10-30 minutes.

Automatic Shut Off Protection: When the pump detects no water, default phase or over voltage, it will power off automatically. The motor will also power off if the rotor becomes blocked. Once the pump detects no water five times, it will shut off automatically and display E-01. If you want to restart the pump immediately, you can press the “feed” button or pull the plug out and plug into power again.

Adjustable water flow rate and lift head: Variable frequency powered ECO pump controller can offer up to 20 different speed settings for the steady flow mode. It's convenient, and easy to control the pump.

Energy saving technology: AC motor with magnetic drive and ceramic shaft design saves more energy, is safer, and ensures a long pump life.

Perfect submersible return pump: Two types of intake screens; one is a special intake screen which can suck up the water, while blocking dirt and detritus in sumps or aquariums. It can also be installed externally (inline).

Suitable for freshwater and saltwater: Can be use in freshwater or saltwater aquariums and pond.

PRODUCT PARAMETERS

Mode NO.	Output Voltage	Consumption (W)	Flow Rate (GPH)	Head Max (Feet)
AQ-006-3000	110V/60Hz	30	800	9.8
AQ-006-4500	110V/60Hz	40	1200	11.5
AQ-006-6000	110V/60Hz	55	1600	14
AQ-006-9000	110V/60Hz	75	2400	17
AQ-006-12000	110V/60Hz	85	3200	17.4

2. PACKAGE INCLUDED

1× User manual
1× AC water pump
1× Controller
1× Bottom suction cover
1× Filter cover
2× O-ring

Outlet or inlet fittings as following:

Model	Screw	Soft Pipe Connector	Soft Pipe Connector
AQ-006-3000	1~4/5"(46MM)	3/4"~1PCS	3/4"~1PCS
AQ-006-4500		1"~1PCS	1"~1PCS
AQ-006-6000			
AQ-006-9000	2"(51MM)	1"~1/2"	1"~1/2"
AQ-006-12000		1~1/4"	1~1/4"
		1"	1"
		3/4"	3/4"
		1~1/4"	1~1/4"

3. PACKAGE INCLUDED

ATTENTION: The pump must be connected to the controller correctly before operating.

A. LED Display and Controller Instructions

As indicated in the diagram below, the LED indicates constant speeds ,wave maker and error codes. The panels are touch-control.

B. Operating instruction

① After connecting to the pump, the control is set to perform the last operation mode. LED display is on. "1-20" is shown on LED display. The "1" means the pump is set to constant flow mode. The number follow the 1 is the speed setting. There are 20 settings for this adjustable mode. When you touch ▼/▲ button, LED will show current pump speed("1-XX" from 1 to 20). You can set different speeds to suitable your needs.

- ② Press the “Set” button to show “2-20” for the wave make model. When you press ▼/▲ button, the LED display will show “2-XX” from 1 to 20.
- ③ Press the “Feed” button to adjust feeding time from 10 minutes to 30 minutes.

Note: For indoor use, the power socket must be installed with the leakage current protecting device, and the leakage current shall not exceed 30 mA (The consumer must install the leaking current protection device by themselves).

4. OPERATION

A clogged or dirty intake screen will reduce the performance.

If the pump is used on a dirty surface, raise it slightly to reduce the amount of debris contacting the intake. If the flow is low, please adjust the regulator on the sealing cover.

Do not purposely let the pump run in dry. The pump can be easily broken.

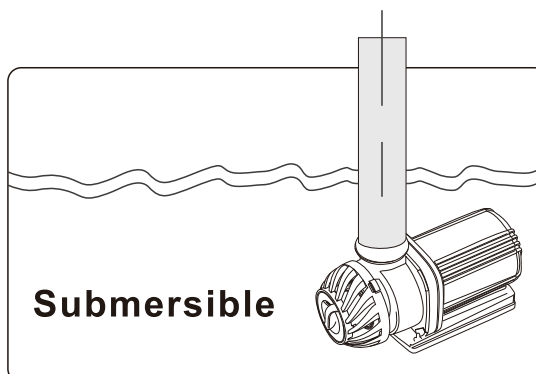
Normally, put the pump into water and then plug in. If in the beginning, it doesn't pump water, it most likely means there is air in the pump or the connector fitting. Please plug in and unplug several times to help the pump remove air and it will work normally.

A. Used as submersible pumps (Figure one)

IMPORTANT: Do not let the pump run dry- this could cause damage to the motor.

- Submerge the pump completely in your aquarium, sump, or pond so as to make the pump body is completely submerged.
- A water level of approx. 15cm(6 inch) is required for submersible use in order to prevent the pump from taking in air.
- To prevent the filter from becoming prematurely clogged, place the pump above the mud in the pond.
- Install the enclosed filter cover to prevent the inlet from becoming clogged.
- Running in conjunction with fountain jets, the pump should be stationed firmly and horizontally (such as on a brick).
- The pump can be switched on by simply plugging it in and switched off by unplugging.

Figure one:

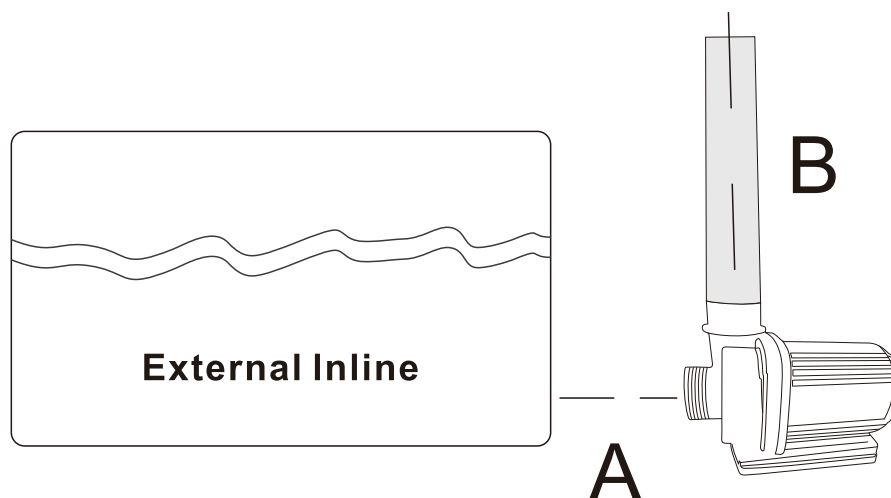


B. Used as non-submersible pumps (Figure two)

- Position the pump lower than the water surface on the side of the pond so that the water can be drained to the pump. The pump is not self-priming and will not operate unless water is gravity-fed into the pump.
- Remove the filter cover and connect suction hose (A: inlet) and pressure hose (B:outlet) to the pump. The connection should be watertight. (Figure 1)
- Fill the suction hose and pump with water before turning it on.
- To prevent the pump from becoming clogged, provide the suction hose with an adequate suction filter.
- Never let the pump run dry.

Installation diagram:

Figure two:

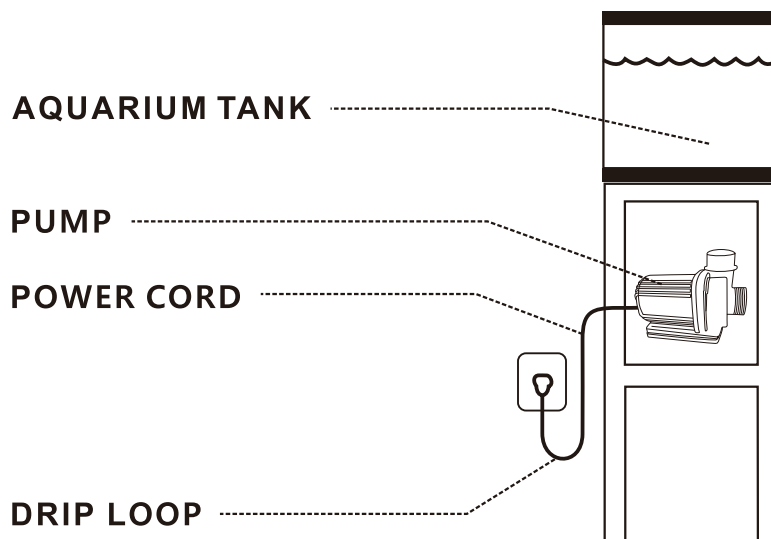


5. WARNING:

To guard against injury, basic safety precautions should be observed including the following:

1. Read and follow this user manual strictly.
2. DANGER-To avoid possible electric shock, special care should be taken since water is employed in the use of aquarium equipment. For each of the following situations, do not attempt to repair yourself; return the pump to an authorized service facility for service or discard the pump.
 - A. If the pump shows any sign of abnormal water leakage or RCD (or GFCI- Ground Fault Current Interrupter), unplug the power and remove the pump from water.
 - B. Carefully examine the pump after installation. It should not be plugged in if there is water on parts not intended to be wet.
 - C. Do not operate the pump if it has a damaged cord or plug, if it is malfunctioning, or if it is dropped or damaged in any manner. The power cord of this pump cannot be replaced, if the cord is damaged, the pump should be discarded.

D. To avoid the possibility of the pump plug getting wet, position aquarium stand and tank to one side of a wall mounted outlet to prevent water from dripping onto the outlet or plug. A “drip loop”, shown in the figure below, should be arranged by the user for each cord connecting the pump to the receptacle. The “drip loop” is the part of the cord below the level of the receptacle, or the outlet. If an extension cord is used, to prevent water traveling along the cord and coming in contact with the outlet. If the plug or outlet does get wet, DO NOT unplug the cord. Disconnect the fuse to the circuit breaker that supplies power to the pump. Then unplug and examine for the presence of water in the outlet.



3. Close supervision is necessary when the pump is used near children.
4. This pump should not be used by persons (including children) with reduced physical, sensory or mental capabilities, or lack of experience and knowledge, unless they have been given supervision or instruction concerning use of the pump by a person responsible for their safety.
5. To avoid injury, do not contact moving or hot parts.
6. Always unplug the pump from the outlet when not in use, before putting on or taking off parts, and before maintenance or placing hands in the water. Never yank the cord to pull plug from outlet. Grasp the plug and pull firmly to disconnect.
7. Do not use the pump for other than intended use. The use of attachments not recommended or sold by the appliance manufacturer may cause an unsafe condition.
8. Do not install or store the pump where it will be exposed to weather or to temperatures below freezing. This pump is suitable for use in water temperatures less than 95°F.

9. Do not submerge in more than 5ft of water depth.
10. Do not run dry or out of water.
11. Only use in freshwater or saltwater, do not use the pump in other liquids.
12. Make sure the pump is securely installed before operating it.
13. Read and observe all the important notices on the pump.
14. If an extension cord is necessary, a cord with a proper rating should be used. A cord rated for less amperes or watts than the appliance rating may overheat. Care should be taken to arrange the cord so that it will not be tripped over or pulled.
15. The pump is intended FOR HOUSEHOLD USE ONLY. Do not use or mount this pump in such a way that the top vents are restricted or blocked. These vents are necessary to avoid overheating and ensure safe operating temperatures.
16. All of our pumps are professionally tested by the manufacturer before shipment, if the water pump you received with a little water, please don't worry, the little water was left from professional water testing, it is a normal phenomenon. It is new and normal pump.
17. SAVE THIS USER MANUAL.

6. MAINTENANCE

To clean the pump, remove the back cover, sealing cover and the impeller. Use a small brush or stream of water to remove any debris.

If the pump doesn't work, check the following:

- Check the circuit. Please try to plug on another power socket, to ensure the pump switched on with power. Note, please do not plug in before operating.
- Check the pump outlet and tube, for any blockage by debris.
- Check the inlet to ensure it is not clogged by debris.
- Remove the pump inlet to access the impeller. Turn around the rotor to check whether it is broken or jammed.
- Monthly maintenance will prolong your pump's life. Clean the rotor and remove any dirt or debris.

Error Code:	Solution:
E01- Failures when out of water	Check if it's out of the water first; then re-plug in the device
E02-Software overcurrent failures	Re-plug in the device
E03-Hardware overcurrent failures	Re-plug in the device
E04-Blockage failure	Re-plug in the device; Check if there are any blockages
E05-Motor reboot failure	Re-plug in the device. If it cannot be rebooted, please return it to factory

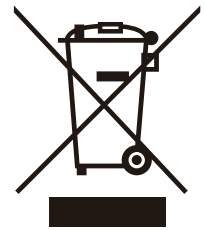
E06-Motor phase failure	Re-plug in the device; Same problem will not occur.
E07-Low voltage failure	When the voltage is at normal levels again, the error code will disappear.
E08-High voltage failure	When the voltage is normal levels again, the error code will disappear.

7. DISPOSAL

To clean the pump, remove the back cover, sealing cover and the impeller. Use a small brush or steam of water to remove any debris.

If the pump doesn't work, check the following:

- Check the circuit. Please try to plug on another power socket, to ensure the pump switched on with power. Note, please do not plug in before operating.
 - Check the pump outlet and tube, for any blockage by debris.
 - Check the inlet to ensure it is not clogged by debris.
 - Remove the pump inlet to access the impeller. Turn around the rotor to check whether it is broken or jammed.
 - Monthly maintenance will prolong your pump's life.
- Clean the rotor and remove any dirt or debris.



8.WARRANTY

1. 1-year free warranty.
2. 1-month free return.
3. Free replacement for 3 months.

Thank you for choosing Aqqa, making aquarium keeping easier one product at a time.

If you have any problems or suggestions for the wave maker pump, please contact us by email before leaving feedback or opening a case, it will be the fastest way to solve your problem.

If you are satisfied with the wave maker pump, please leave positive feedback for our product, in order to let more customers enjoy it. Thanks again!

Contact Information:

Brand owner: Shenzhen Mago Trading Co.,Ltd

Add: Bantian Group Business Central,Longgang District,Shenzhen City,Guangdong Province,China.

E-mail: Support@petnannystore.com

Website: www.petnannystore.com