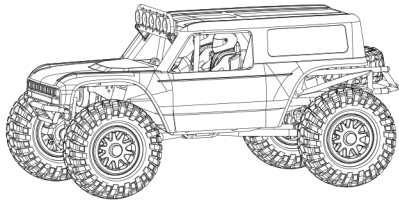
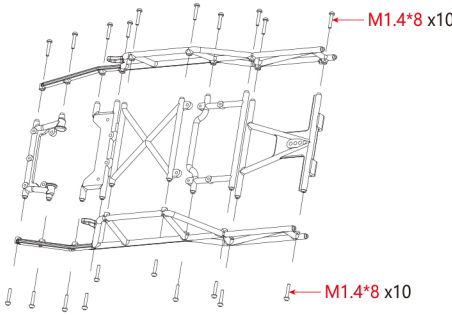


# MEUS MB24

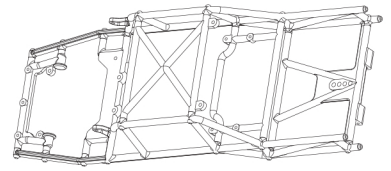
## Exploded view



**1** Assembly parts: ME 001, ME 002, ME 003, ME 004, ME 005, ME 006, ME 007, M1.4\*8 x20



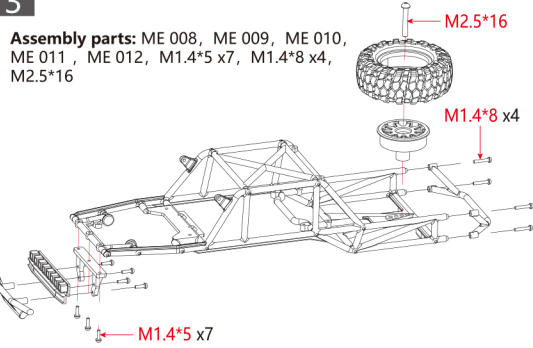
**2**



Assembly effect of step 1

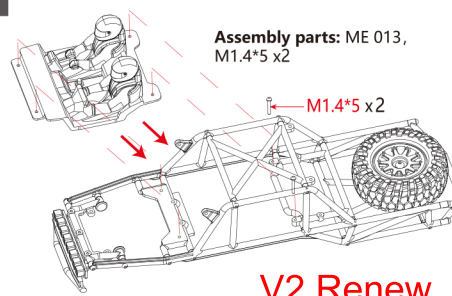
**3**

Assembly parts: ME 008, ME 009, ME 010, ME 011, ME 012, M1.4\*5 x7, M1.4\*8 x4, M2.5\*16



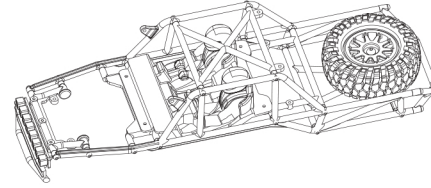
**4**

Assembly parts: ME 013, M1.4\*5 x2



Install the seat into the frame in the direction of the arrow

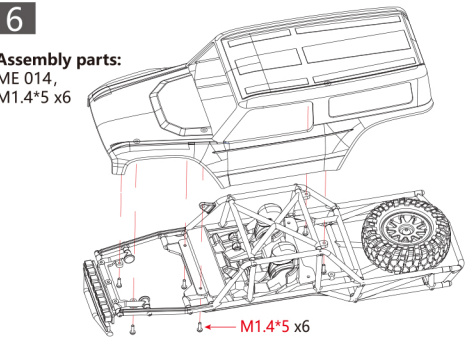
**5**



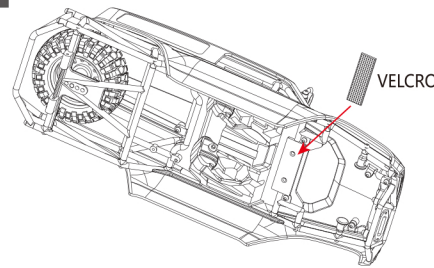
Assembly effect of step 4

**6**

Assembly parts: ME 014, M1.4\*5 x6



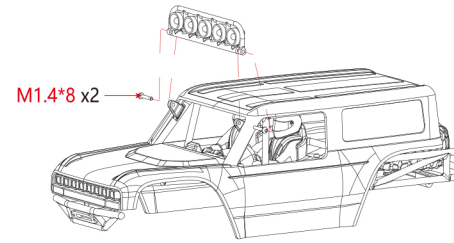
**7**



Apply Velcro in the direction of the arrow to the indicated area

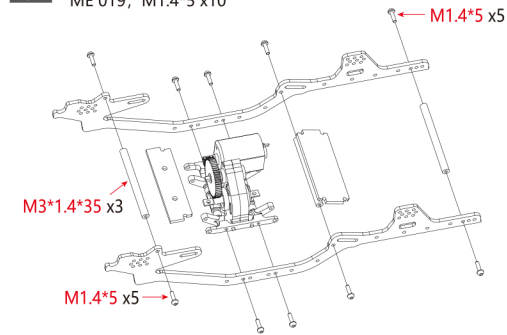
**8**

Assembly parts: ME 015, M1.4\*8 x2



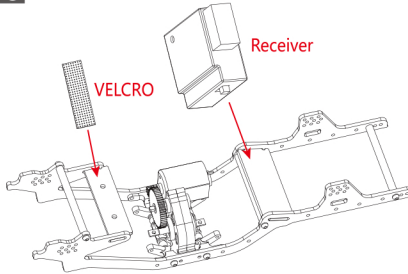
**9**

Assembly parts: ME 016 x2, ME 017 x3, ME 018, ME 019, M1.4\*5 x10



**10**

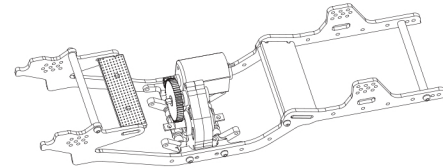
Receiver



Stick the Velcro and receiver in the direction of arrow in the area specified

**V2 Renew**

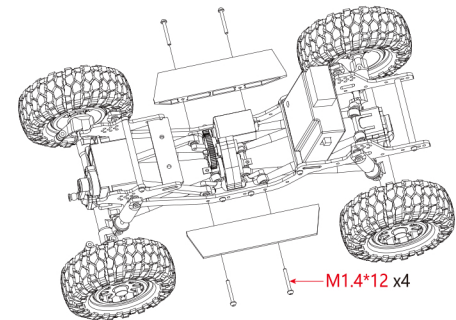
**11**



Assembly effect of step 10

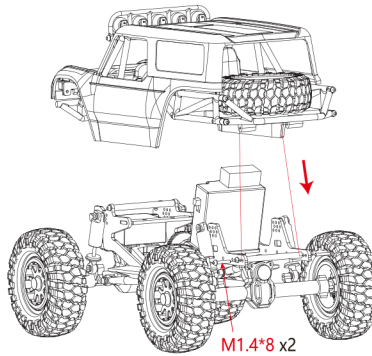
**12**

Assembly parts: ME 020, ME 021, M1.4\*12 x4



**13**

Assembly parts: M1.4\*8 x2



### Notes:

1. Recommended tools: 1.3mm Hex Wrench; 1.5mm Hex Wrench; Hobby Knife;
2. Kit MEUS MB24 is a complete kit with frame body. Also need to configure skid plate, gearbox, motor, linkage, axle, tires, servo, rocker TX/RX, batteries.
3. If surface painting is required, please make sure it is cleaned before making.

ME 001	ME 002	ME 003	ME 004	ME 005	ME 006	ME 007	ME 008	ME 009	ME 010	ME 011	ME 012	ME 013
x1	x1	x1	x1	x1	x1	x1	x1	x1	x1	x1	x1	x1
ME 014	ME 015	ME 016	ME 017	ME 018	ME 019	ME 020	ME 021	M1.4*5	M1.4*8	M1.4*12	M2.5*16	
x1	x1	x2	x3	x1	x1	x1	x1	x25	x28	x4	x1	