

iSinwheel



The manufacturer reserves the right to make changes to the product,
and update this manual at any time.
www.isinwheel.com



X1

ELECTRIC SCOOTER

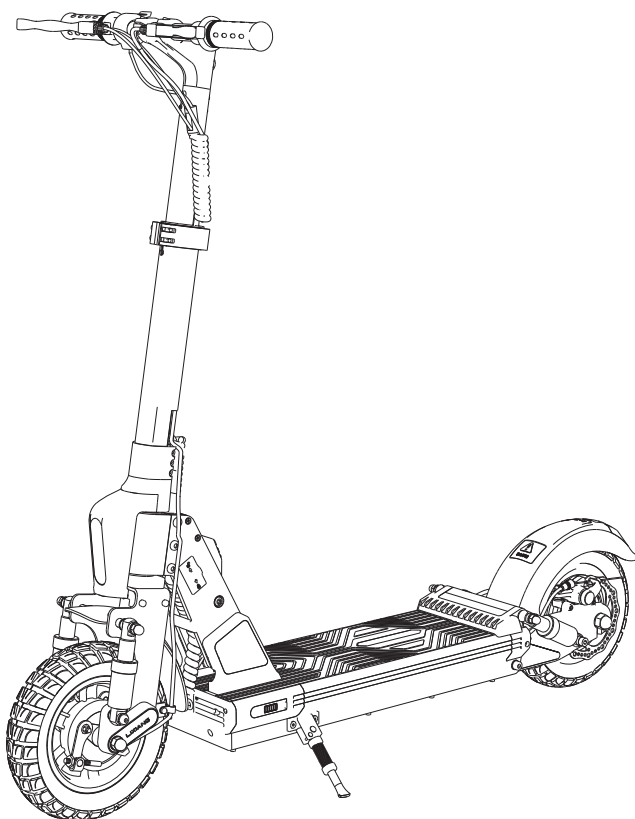
U S E R M A N U A L

Contents

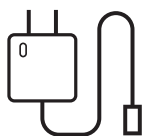
1. Package Contents	01
2. Product Overview	02
3. Assembly	04
4. Riding Notice	05
5. Charging	05
6. First Riding	06
7. Riding Basics	07
8. Safety Instructions.....	08
9. Dangerous Actions (No Attempting!)	09
10. Disc Brake Adjustment	11
11. Daily Care and Maintenance	12
12. Specifications	13
13. Limited Warranty Statement	14
14. Question & Answer	16
15. Contact Us	16



Package Contents



- When unboxing your X1 electric scooter, please verify that the below items are included in the package. If anything is missing or damaged, please contact iSinwheel customer service for support: support@isinwheel.com
- Keep the package box to ship back the scooter when necessary



1xCharger



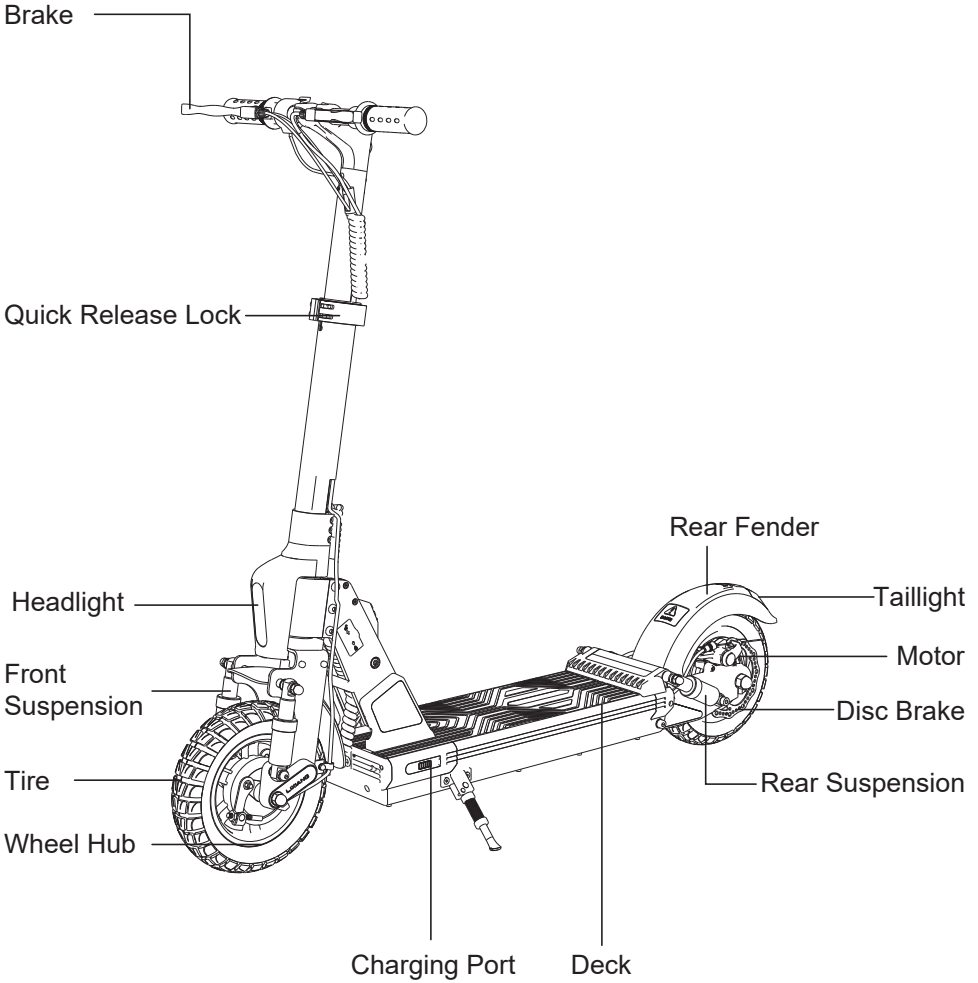
1xTool Kit



1xManual

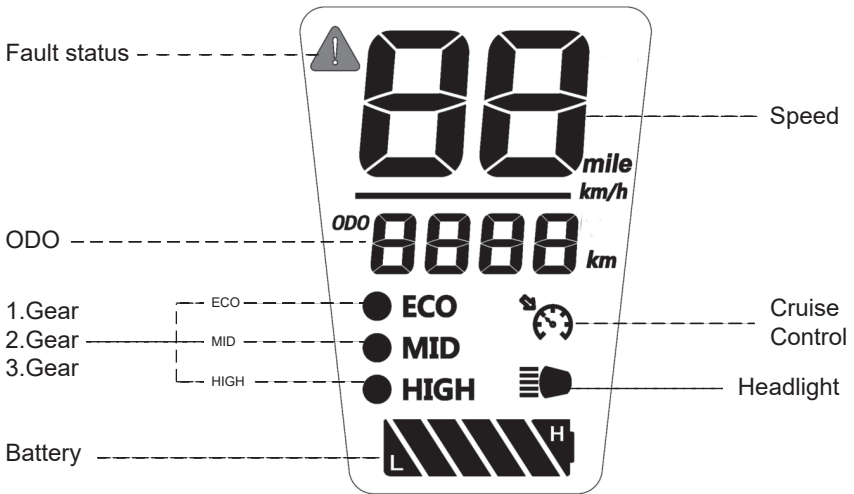


Product Overview





Control Panel

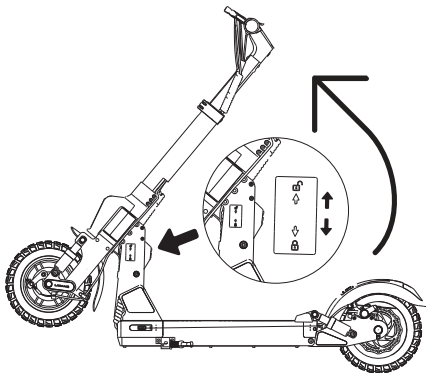
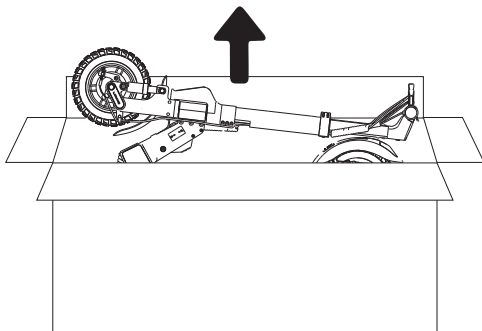


Displayed content

Speed	Distance riding per hour.		
ODO	Total riding distance.		
Riding Mode	Three riding modes, double click the power button to switch riding modes.		
	ECO: Low speed <input type="radio"/> ECO	MID: Middle speed <input type="radio"/> MID	HIGH: High speed <input type="radio"/> HIGH
Cruise control	Press and hold down the accelerator to the end, turn on the machine, and see the cruise mark flashing for about 5S. Cancel the cruise and set successfully.		
Battery level	6-bar battery level.		
Headlight	With ambient light sensor (under the display), when it is dark or dawn, the headlight will automatically light on.		

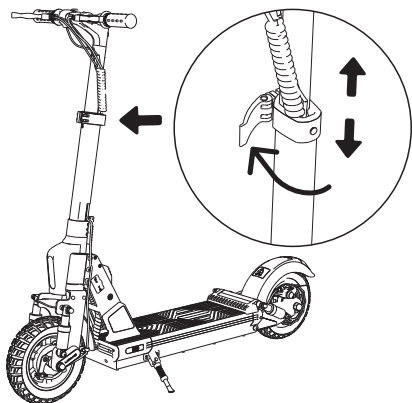
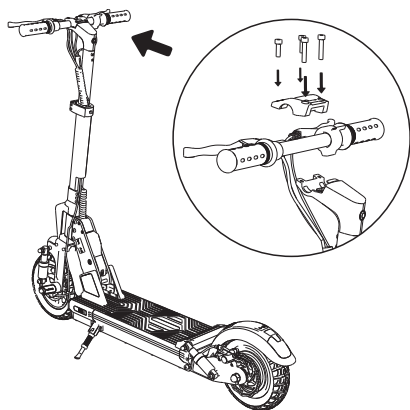


Assembly



1. Open the package, take out the E-scooter and its accessories.

2. Press the folding mechanism and lift the T-bar upright. Push down the kickstand.



3. Cut the tapes on the handlebar. Use the provided Allen wrench to remove the 4 screws on the stem. Slide the handlebar into the stem. Slide the handlebar into the stem, put all 4 screws (2 on each side) into the holes, then tighten each screw properly with the included hex wrench. (Tips: Don't tighten only one side one time, visit www.isinwheel.com for additional help with assembly, including a step-by-step video.)

4. Open the adjustable lock, adjust the handlebar to the height you needed, then close the lock.



Riding Notice

The iSinwheel X1 electric scooter is a leisure device. But once they're in a public area, they'll be seen as vehicles, subjecting to any risks faced by vehicles. For your safety, please follow instructions in the manual and traffic laws and regulations set forth by government and regulatory agencies.

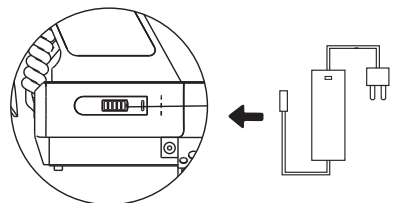
- At the same time, you should understand that risks cannot be entirely avoided as others may violate traffic regulations and drive incautiously, and you're exposed to road accidents just as when you're walking or biking. The faster the scooter is, the longer it takes to stop. On a smooth surface, the scooter may slip, lose balance, and even result in a fall. Thus it is crucial that you use caution, keep proper speed and distance, especially so when you're unfamiliar with the place.
- Respect pedestrians' Right of Way. Try not to startle them while driving, especially children. When you ride from behind pedestrians, ring your bell to give them a heads-up and slow your scooter to pass from their left (applicable to countries where vehicles drive on the right). When you ride across pedestrians, keep to the right at a low speed. When you drive across pedestrians, keep the lowest speed or getting off the vehicle.
- Closely follow the safety instructions in the manual. iSinwheel shall not be liable for any financial losses, physical injuries, accidents, legal disputes and other interest conflicts resulted from actions that violate user instructions.
- Do not lend your scooter to whoever doesn't know the operations. And when you do lend it to your friends, please take the responsibility to ensure he/she knows the operation and wears the safety gear.
- Check the scooter before every use. When you note loosen parts, low battery alerts, excessive wear, strange sounds, malfunctions and other abnormal conditions, stop riding.
- WARNING – Risk of Fire – No User Serviceable Parts.



Charging

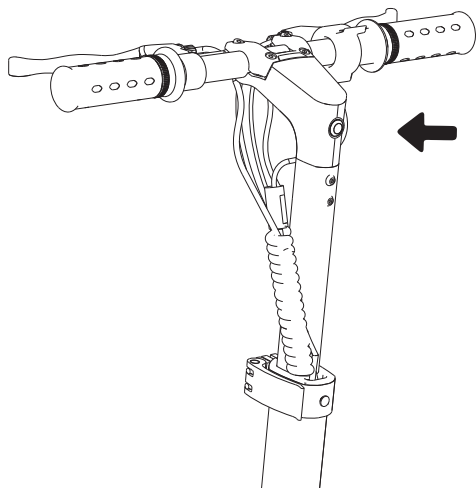


- Your scooter will be fully charged when the LED indicator on the charger changes to green from red.
- With charging protection, it will cut off charging automatically after fully charge.
- Even so, we still don't recommend charging your scooter for a long time more than 24 hours at one time.
- Do not connect the charger if the charging port is wet.
- Keep the charging port closed when not charging.





First Ride



← **Power Switch**



1. Press the power switch for 1-3 seconds and then release, LCD display is on — it means the electric scooter is successful turned on.



2. Within 5 seconds after power-on, press the power switch once to switch the start mode to zero start. After each power-on, the default start method is kick start.



3. Zero start: after power-on, press the accelerator and the motor of the scooter will rotate, and the scooter will go forward. (The throttle works even when the E-scooter is not in motion.)



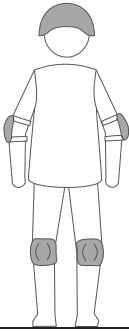
4. Non-zero/Kick-and-go start: With kick-and-go start mode on, scoot the E-scooter for the throttle to operate.



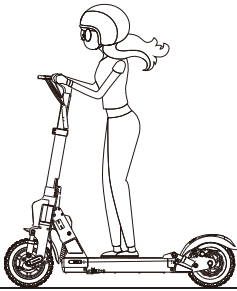
5. Riding mode: In 5 seconds after power-on, press the power button shortly to switch among ECO, MID, and HIGH 3 modes circularly. (The default mode is low-speed ECO.)



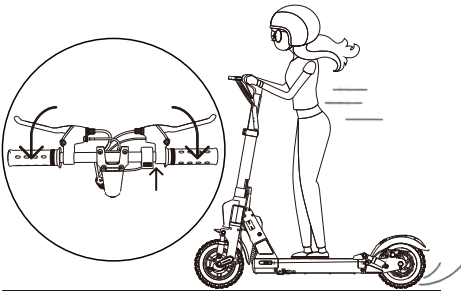
Riding Basics



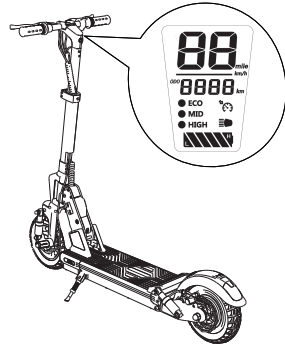
⚠ Wear a helmet, elbow pads, and knee pads in case of falls and injuries either you are a beginner learning to ride or you are a seasoned rider.



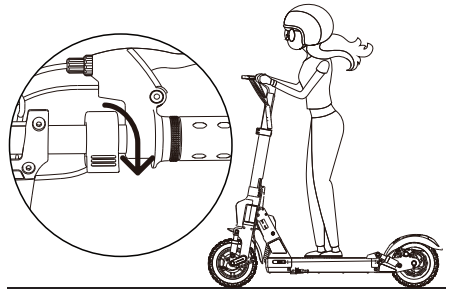
2. Stand with one foot on the deck and one foot on the ground. Scoot yourself with the foot on the ground.



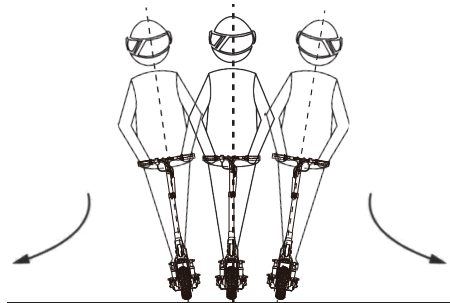
4. Release the accelerator and the kinetic energy recovery system (KERS) initiates automatically to brake slowly; And squeeze the brake lever for a sudden brake.



1. Turn the power on, and check the battery level indicator.



3. When the scooter starts to move forward, put both feet on the deck and press the accelerator. (The accelerator initiates once the speed exceeds 3 mph.)



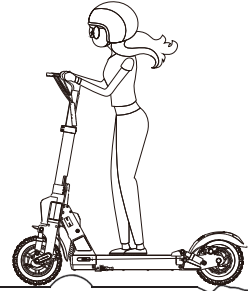
5. Tilt your body to the steering direction as you turn, and slowly turn the handlebar.



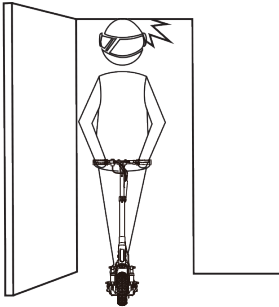
Safety Instructions



Do not ride in the rain.



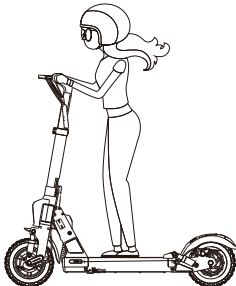
Please keep a medium or low speed (5mph) when you ride across speed bumps, elevator door sills, bumpy roads or other uneven surfaces. Slightly bend your knee to better adjust mentioned surfaces.



Look out for doors, elevators and other overhead obstacles.



Do not accelerate when you go downhill.



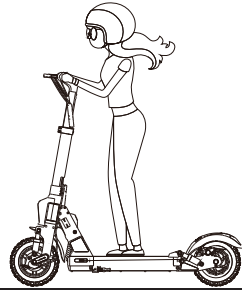
Do not press the accelerator when you're walking alongside the scooter.



Always steer clear of obstacles

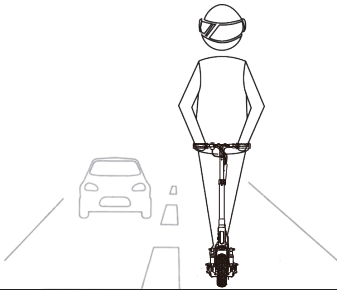


Do not hang bags or other heavy stuff on the handlebar.

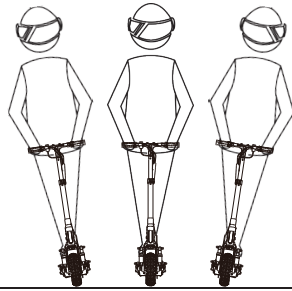


Keep both feet on the deck all time.

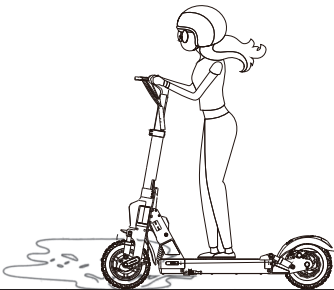
 **Dangerous Actions (No Attempting!)**



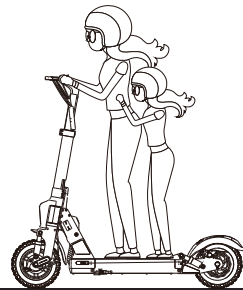
Do not ride in traffic lanes or residential areas where vehicles and pedestrians are both allowed.



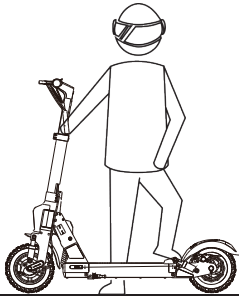
Do not turn the handlebar violently during high-speed riding.



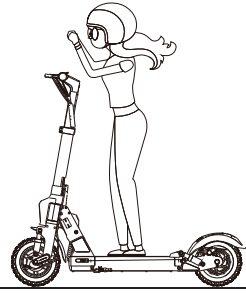
Do not ride in a ponding that is higher than 20mm.



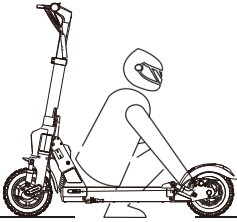
Do not ride with anyone else, including children.



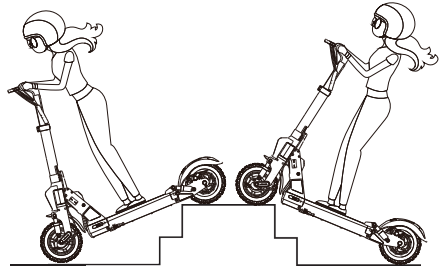
Keep your feet off the rear mudguard.



Always keep your hands on the handlebar.



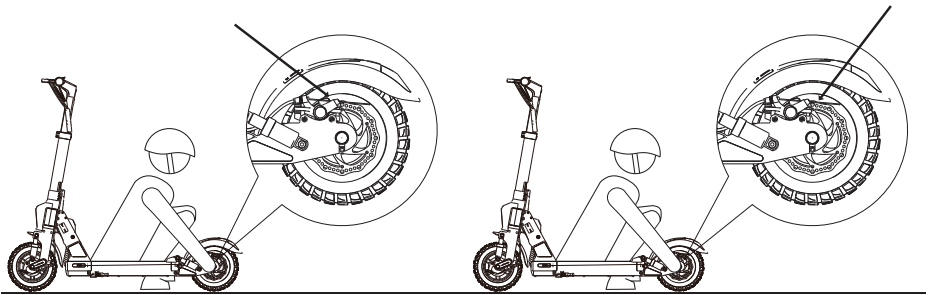
Do not touch the disc brake.



Do not try riding up or down stairs, and jumping over obstacles



Disc Brake Adjustment



To adjust the disc brake sensitivity:

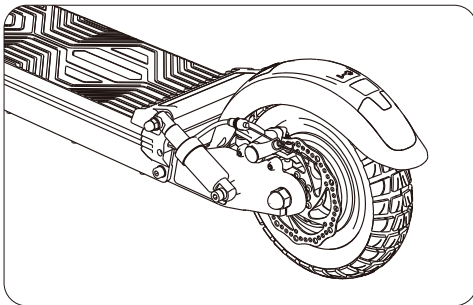
You need a hex wrench to remove the screws on the rocker.

- When the disc brake is too sensitive, rotate the disc brake rocker down a bit. Then, reinstall the screws back to the brake cable core to tighten.
- When the disc brake cannot stop, rotate the disc brake rocker up a bit. Then, reinstall the screw back to the brake cable core to tighten.

Notice: The disc brake may squeak when in use until it is broken in. This is normal and does not affect the brake's function or performance.

To remove the disc brake noise,

First make sure the scooter is turned off. For easier operating, we suggest you put the scooter on the desk.



- Loosen two screws on the pump (not the screw on the rocker).
- Adjust the position of the disc brake pump to ensure that the brake disc is in the middle of the two brake pads.
- Keep the brake disc and brake pad not touching each other.
- Hold the disk brake pump in the desired position, then re-tighten the screws to the pump.



Daily Care and Maintenance

Cleaning and storage

If you see stains on the scooter's body, wipe them off with a damp cloth. If you cannot scrub off the stain, put on some toothpaste, and brush them with a toothbrush, then wipe them off with a damp cloth.

Notes:

- Do not clean the scooter with alcohol, gasoline, kerosene, or other corrosive and volatile chemical solvents to prevent dire damage.
- Do not wash the deck with a high-pressure water spray. During cleaning, make sure that the scooter's turned off, the charging cable is unplugged, and the rubber flap is closed as water leakage may result in electric shock or other major problems. When the scooter is not in use, keep it indoors where it is dry and cool.
- Do not put it outdoors for a long time. Excessive sunlight, overheating, and over-cooling will shorten the battery pack's lifespan.

Battery maintenance

1. Use original battery packs. Use of batteries of other models or brands may bring about safety issues;
2. Do not touch the contacts. Do not dismantle or puncture the casing. Keep the contacts away from metal objects to prevent short circuit which may result in battery damage or even injuries and deaths;
3. Use original power adapter to avoid potential damage or fire;
4. Mishandling of used batteries may do tremendous harm to the environment. To protect natural environment, please follow local regulations to properly dispose used batteries.
5. After every use, fully charge the battery to prolong its lifespan.

Storage and Disposal

1. Please try to store the scooter in a cool and dry place between 14 ℉ and 104 ℉. In extremely humid environments the interior of the scooter may suffer condensation or even water accumulation, which may damage the battery rapidly. Devices are not intended for use at elevations greater than 2000 m above sea level. Prolonged Exposure to UV Rays, Rain and the Elements May Damage the Enclosure Materials, Store Indoors When Not in Use.
2. In daily use, try to recharge the scooter after completely exhausting the battery. If the battery level is low, charge it as soon as possible.
3. Please charge the scooter every other month to preserve the battery.



Specifications

X1	Item	Electric Scooter
Dimensions	Unfolded (Length. x Width x Height)	47*19.6*37 inch/120*50*95 cm
	Folded (Length. x Width x Height)	45*19.6*2 inch/115*50*5 cm
weight	Net Weight	50 lbs/23 kg
	Load	330 lbs/150 kg
User	Recommended Age	18+
	Recommended Height	47.24~78.74 inch/120~200cm
Scooter	Max.Speed	28mph/45 km/h
	Max.Range	24.8 miles/40 km
	Max. Slope	35%
	Operating Temperature	32°F~104°F
Battery	Protection level	IPX4
	Voltage	48 V
	Max.Charging Voltage	54.6 V
Motor	Capacity	13 AH
	Nominal Power	500 W
Charger	Max Power	800 W
	Input Voltage	110-240 V
	Output Voltage	54.6 V
	Output Current	2A
	Charging Time	<u>9</u> 5-7 h

(1) The height of the body: Distance from the ground to the highest end of the body.

(2) Description of the battery life: It is measured under the condition of full charge, a load of 150 lb, at 77°F, on a flat road without wind, and at a speed of 9.3mph. The real battery life will differ with different factors of the load, humidity, wind speed and operation habits.

(3) The maximum allowable weight shall be kept within 330 lb (driver and objects included) in any case. Consider an extra weight of the clothes or other accessories with us during the trip and the gravity generated by speed, the scooter will not support it if this load limit is exceeded.



Limited Warranty Statement

30 DAY SATISFACTION GUARANTEED RETURN POLICY

If you are unsatisfied with your purchase, isinwheel's return policy allows you to return the product purchased on the Authorization channel within 30 days counting from the date of receipt of shipment, and request a refund from the Authorization channel for any reason.

For the return request, isinwheel is not responsible for lost packages due to the carrier, or products received that cannot be verified. Received products that have damage determined to have been caused by the end-user may be subject to denial of the return request.

TO QUALIFY FOR A REFUND, ALL THE FOLLOWING CONDITIONS MUST BE MET

1. A Return Merchandise Authorization (RMA) must be requested from isinwheel within 30 days from the date of receipt of shipment.

To request an RMA, contact isinwheel Service Team at vip.support@isinwheel.com.

2. The cost of return shipping will be borne by the customer.
3. For warranty service, please keep your receipt and/or invoice to validate proof of purchase.
4. Returned product must be in good physical condition (not physically broken or damaged).
5. All accessories originally included with your purchase must be included with your return.
6. If you return a product to isinwheel, (a) without an RMA from isinwheel(b) without all parts included in the original package, isinwheel retains the right to refuse delivery of such return.

LIMITED PRODUCT WARRANTY

1. isinwheel warrants the original purchaser that your isinwheel product shall be free from defects in materials and workmanship under normal use for a period aforementioned.

2. isinwheel does not warrant the operation of the product will be uninterrupted or error-free.

isinwheel is not responsible for damage arising from failure to follow instructions relating to the product's usage.

3. Within 180 days after purchasing the scooter, if the battery is defective, it can be replaced free of charge. After exceeding this time limit, it needs to be replaced at a charge.

4. Only the original owner of a scooter purchased from isinwheel online store is covered by this Limited Warranty. The Warranty Period begins upon your receipt of the scooter and shall end immediately upon the earlier of the end of the Warranty Period or any sale or transfer of the scooter to another person, and under no circumstances shall the Limited Warranty apply to any subsequent owner or other transferees of the scooter.

LIMITED WARRANTY DOES NOT COVER

1. Normal wear and tear of any Covered Component.

2. Consumables or normal wear and tear parts (including without limitation tires, tubes, brake pads, cables, housing, grips).

3. Any damage or defects to Covered Components resulting from failure to follow instructions in the scooter owner's manual, acts of God, accident, misuse, neglect, abuse, commercial use, alterations, modification, improper assembly, installation of parts or accessories not originally intended or compatible with the scooter as sold, operator error, water damage, extreme riding, stunt riding, or improper follow-up maintenance.

4. For the avoidance of doubt, isinwheel will not be liable and/or responsible for any damage, failure or loss caused by any unauthorized service or use of unauthorized parts.

5. The Battery is not warranted from damage resulting from power surges, the use of an improper charger, improper maintenance or other such misuses, normal wear or water damage.

REMEDIES

- If a hardware defect is found and a valid claim is received by isinwheel within the Warranty Period, isinwheel will, at its option and to the extent permitted by law, either (1) repair the product at no charge, using new or refurbished replacement parts or, (2) replace the product with a new or refurbished product. In the event of a defect, to the extent permitted by law, these are your sole and exclusive remedies. Shipping and handling charges may apply except where prohibited by applicable law. This Limited Warranty is valid only in the jurisdictions where the products are sold by www.isinwheel.com, and is valid to the extent permitted by the applicable laws of such jurisdictions.

- Any replacement hardware product will be warranted for the remainder of the original warranty period or thirty (30) days, whichever is longer, or for any additional period of time that may be applicable in your jurisdiction.

HOW TO OBTAIN WARRANTY SERVICE

- A Warranty Service Order must be requested from isinwheel within Warranty Period from the date of receipt of shipment. To request a Warranty Service Order, contact iScooter Service Team vip.support@isinwheel.com.

- To obtain warranty service, you must deliver the product, in either its original packaging or packaging providing an equal degree of protection, to the address specified by isinwheel. In accordance with applicable law, isinwheel may require the customer to furnish proof of purchase details and/or comply with registration requirements before receiving warranty service. period or thirty (30) days, whichever is longer, or for any additional period of time that may be applicable in your jurisdiction.

LIMITATION OF DAMAGES

- Except to the extent prohibited by applicable law, isinwheel shall not be liable for any incidental, indirect, special, or consequential damages, including but not limited to loss of, even when isinwheel has been advised of the profits, revenue or data, resulting from any breach of express or implied warranty or condition, or under any other legal theory possibility of such damages.

- Some jurisdictions do not allow the exclusion or limitation of special, indirect, incidental or consequential damages, so the above limitation or exclusion may not apply to you.



Question & Answer

1. What if the E-Scooter arrived with missing accessories or broken parts?

A: Please take a photo and send to iSinwheel Support Team by sending email: And iSinwheel Support Team will reply you soon and send correct accessory or part replacement.

2. Is the tire replaceable and how to replace the tire?

Yes, the tire is replaceable. Please contact iSinwheel support team for more information or search the video "How to replace the offroad tire" in YouTube instead.

3. What if the rear disc brake of the scooter doesn't work well?

A: You may please contact us for instructions of brake adjusting, or search "How to adjust rear brake of scooter" in YouTube for tutorial video as well.

4. What should I do when I hear an unusual noise coming from the rear wheel?

A: It usually means your disc brake tilts to cause friction noise. Please see Disc Brake Adjustment page. If you still have problem, please contact us for help.

5. Why does the screen display an error code?

A: If you see any error code below, Please contact iSinwheel Support Team to remove the error code.

E1	Motor fault
E2	Shifter malfunction
E3	Controller failure
E4	The brake lever is powered off

E5	Under-voltage protection
E6	Communication failure, the display cannot receive the output signal of the controller.
E7	Communication failure, the controller cannot receive the output signal of the display.



Contact Us

Contact us if you experience issues relating to riding, maintenance and safety, or errors/faults with your iSinwheel X1 electric scooter.

✉ E-mail Service: support@isinwheel.com

🌐 www.isinwheel.com