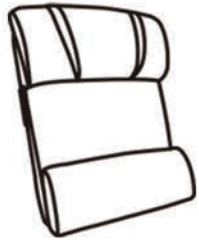


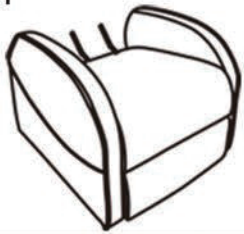
(A)X1



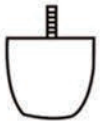
(B)X2



(C)X1

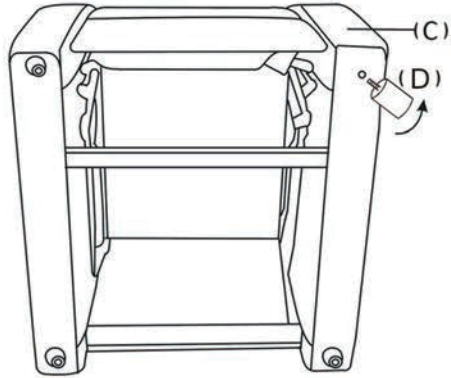


(D) X4

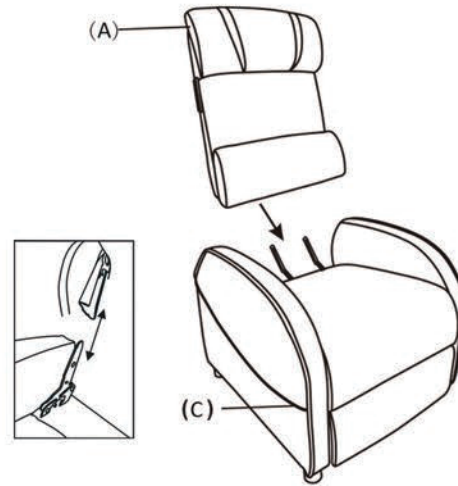


PROBLEM WITH YOUR
PURCHASE?
Contact Us First!
·E-mail us at:

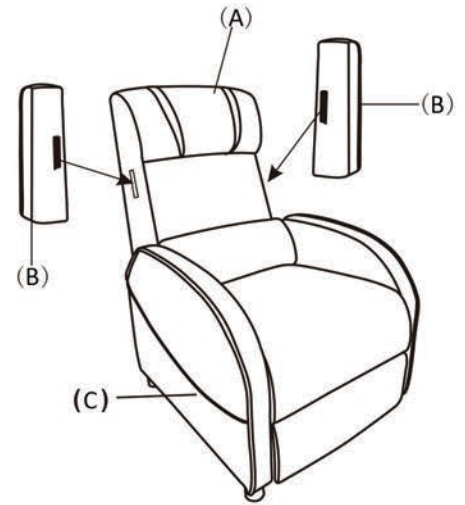
①



②



③



④

