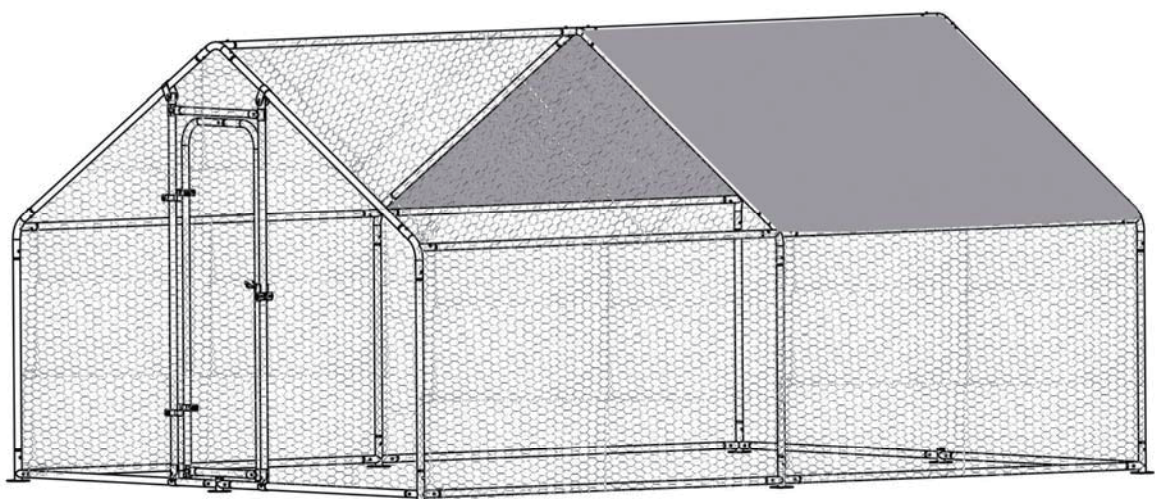




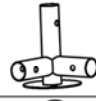
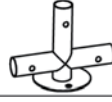



43CC CHICKEN COOP

Owner's Manual



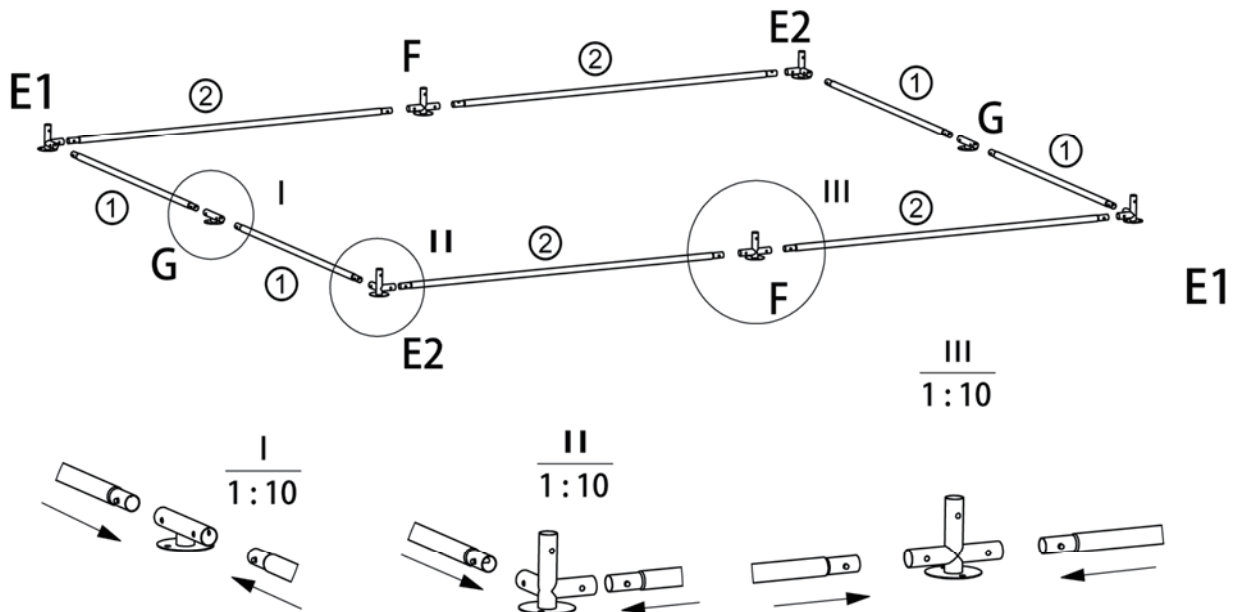
4x3x1.95m

LIST OF MATERIALS

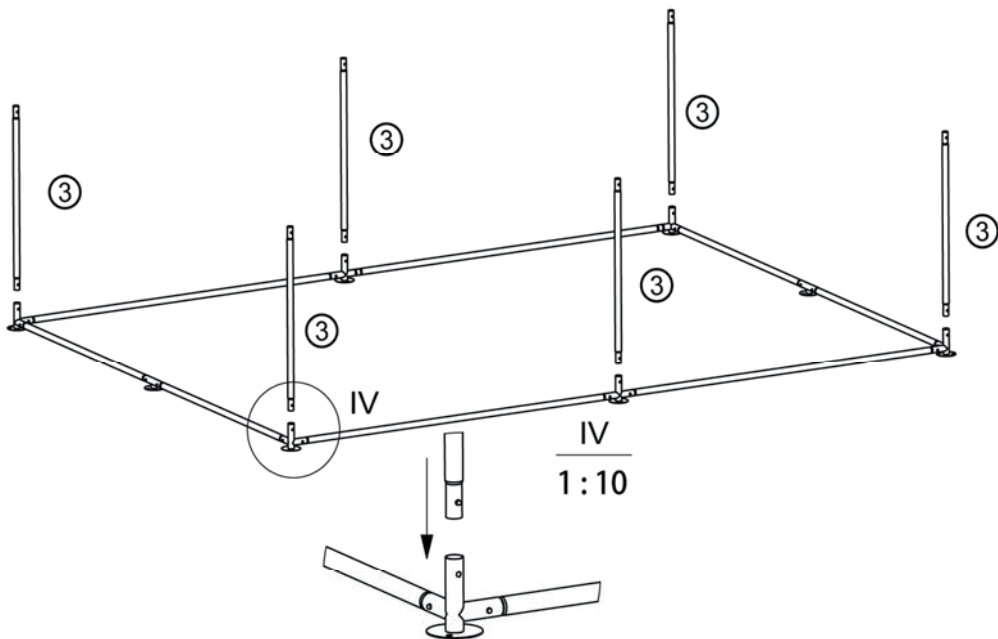
PART NO.	DIMENSION	STYLE PIC	QUANTITY
①	1420mm		4
②	1925mm		10
③	970mm		6
④	1540mm		6
⑤	1680mm		2
⑥	630mm		1
A	312+1595mm	Door left	1
B	310+1595mm	Door right	1
C	497mm	Door buttom	1
D			6
E1			2
E2			2
F			2
G			2
H			3
Parts Package	Hinges: 2 pieces Lock: 1 set Bracket: 6 pairs U Clips: 2 pieces Roof: 1 piece Rubber rope: for roof Cable ties: 1 package M8 square heard screws: 8 M8 screw nuts: 8 M10 square heard screws : 4 M10 screw nuts: 4 Electro hex: 1 pieces,total 20 meters		1

4x3x1.95m

step.1

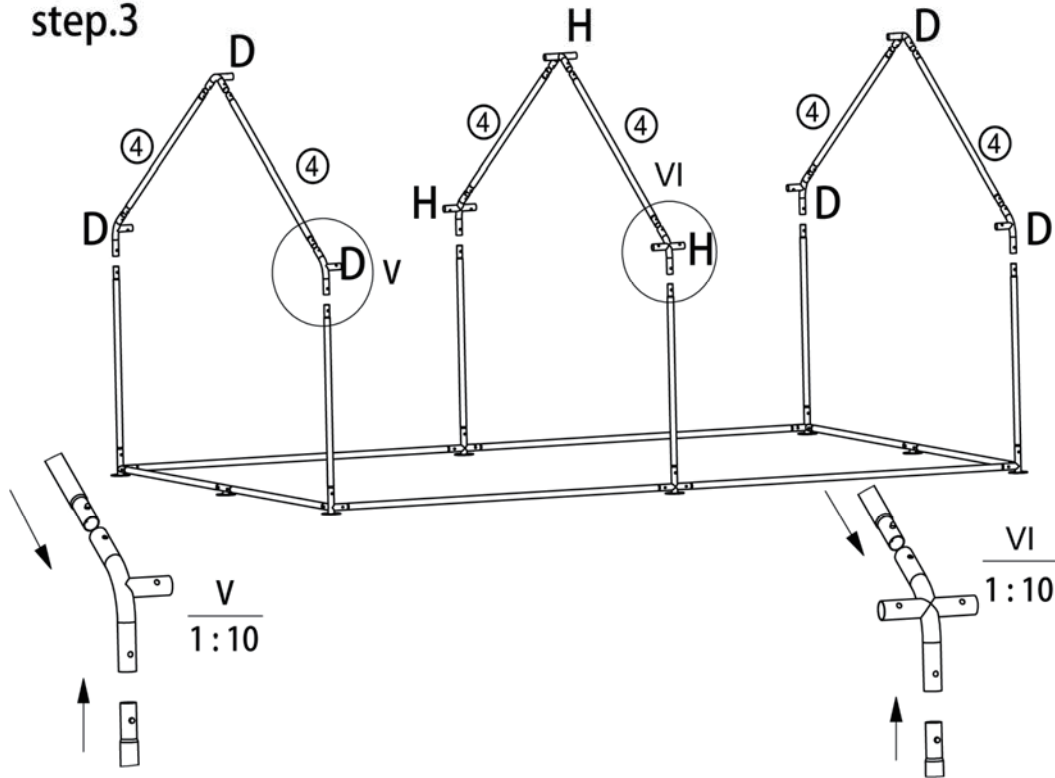


step.2

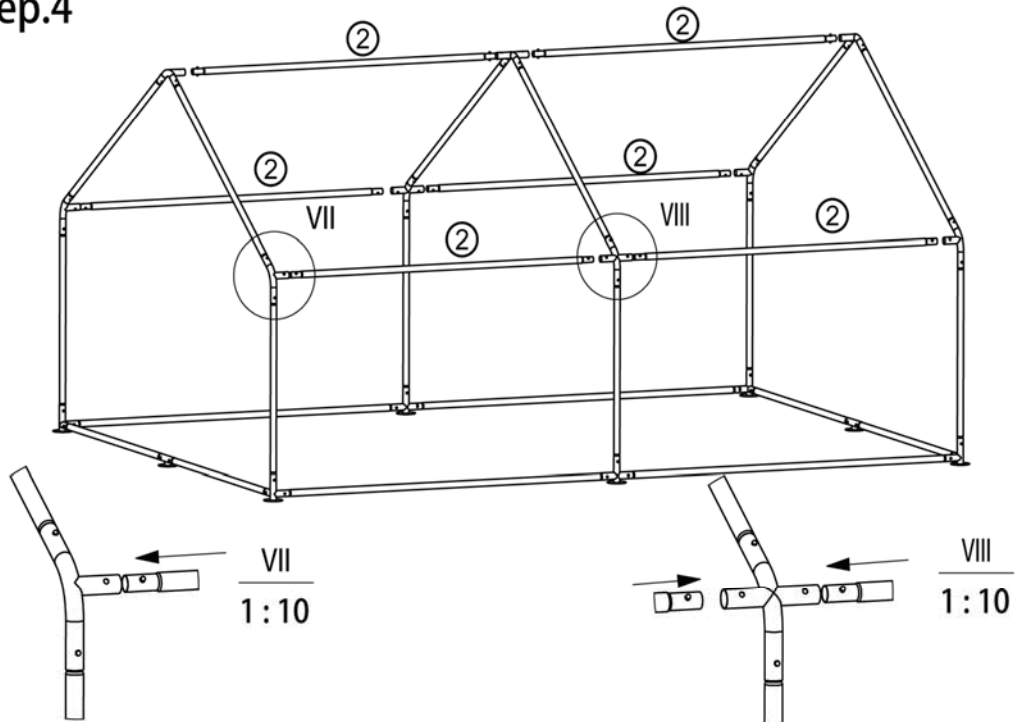


4x3x1.95m

step.3

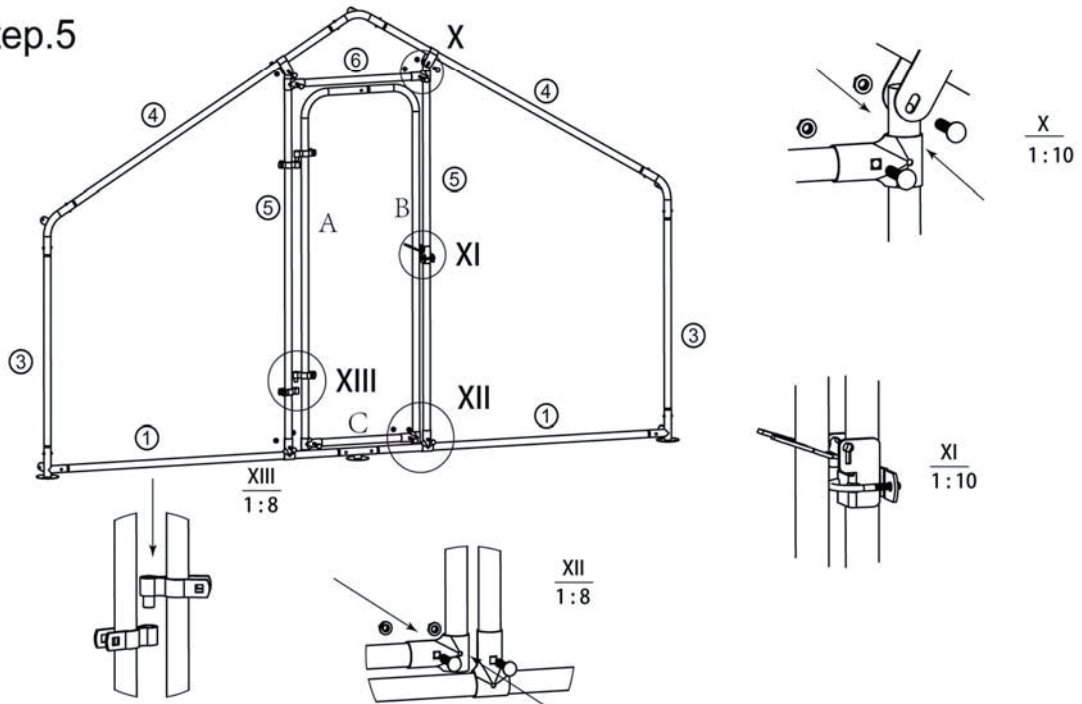


step.4

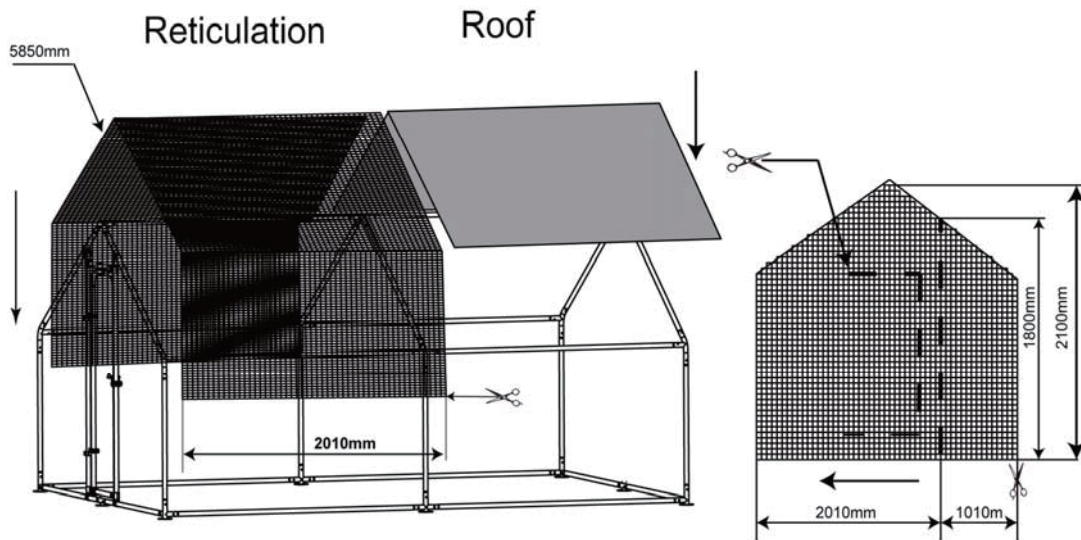


4x3x1.95m

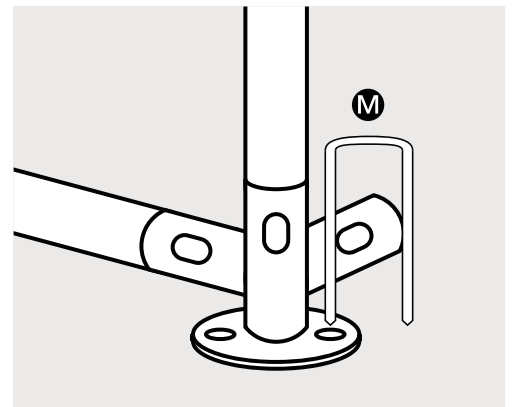
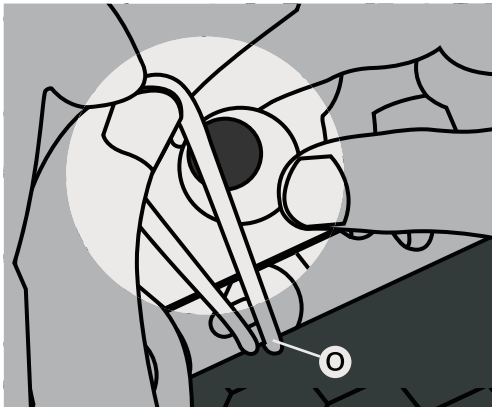
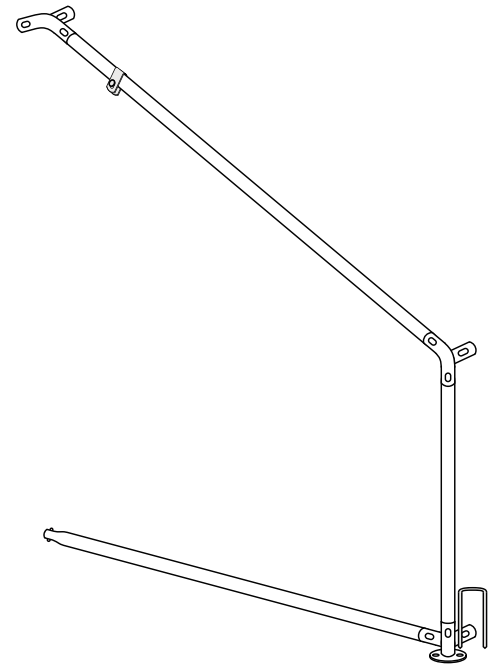
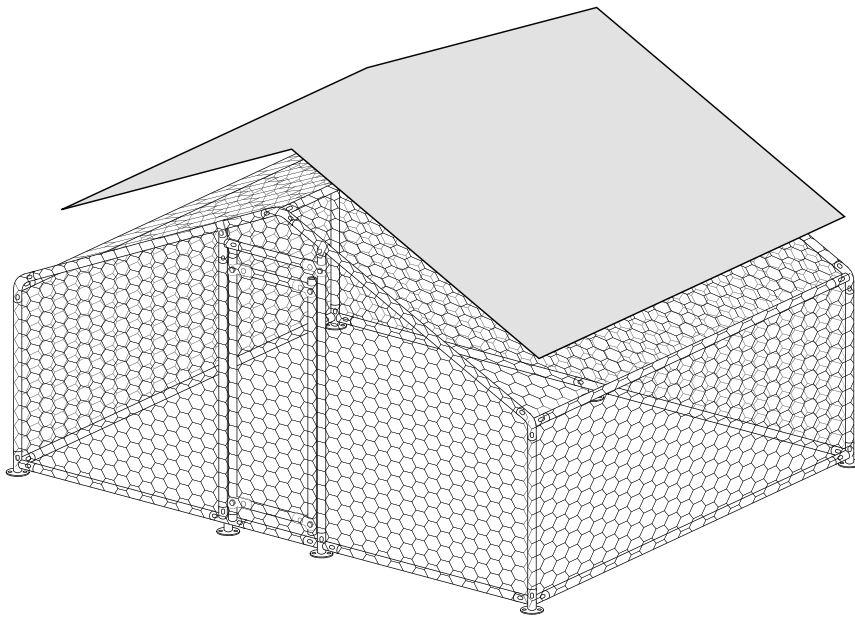
step.5



step.6



Safety Warning: Please use protective gloves when cutting and handling wire mesh. We have provided a large number of cable ties, the recommended spacing is 15cm, should you require a closer spacing you may need to purchase additional cable ties.



Contact Weave Support

Need service or support?
Start your request by Emailing Us.
AND we will find you a Solution.

@ [HelloWeaveGaming@gmail.com](mailto>HelloWeaveGaming@gmail.com)

We will get back to you within 24hrs.