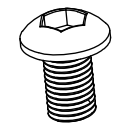




Quality products and excellent service  
which is what WEAVE is committed to.



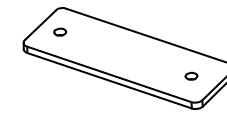
S1\*16



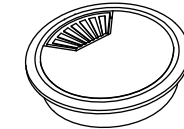
S2\*2



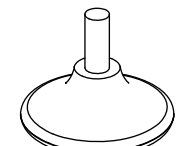
S3\*34



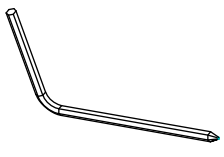
S4\*1



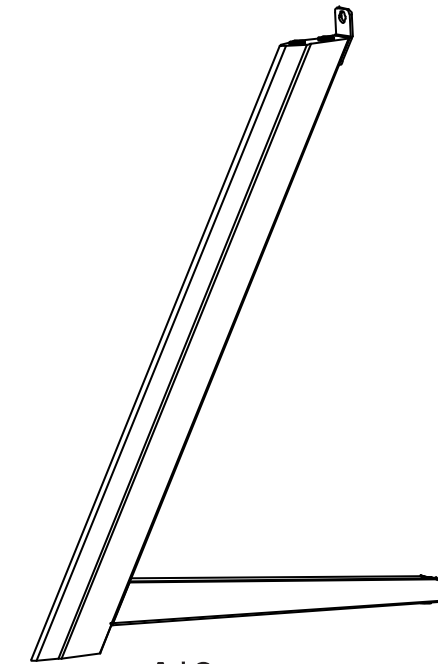
S5\*2



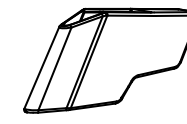
S6\*4



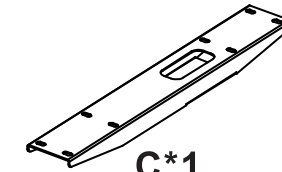
S7\*1



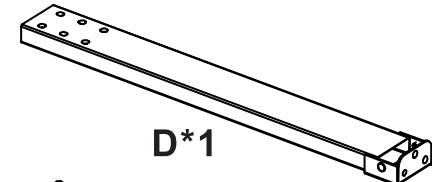
A\*2



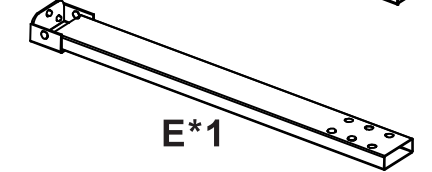
B\*2



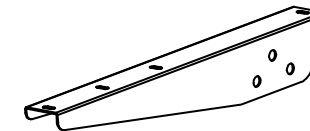
C\*1



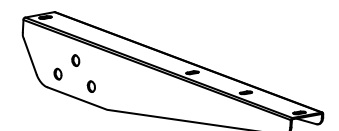
D\*1



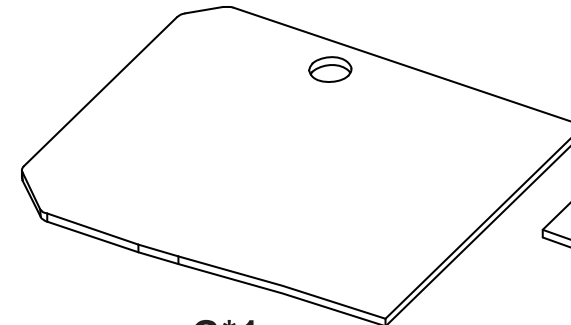
E\*1



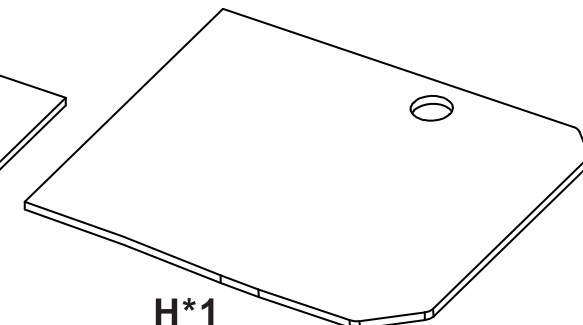
F1\*1



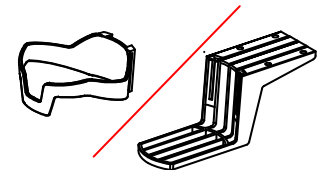
F2\*1



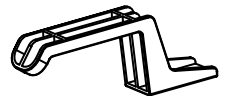
G\*1



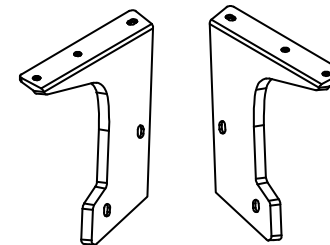
H\*1



I\*1

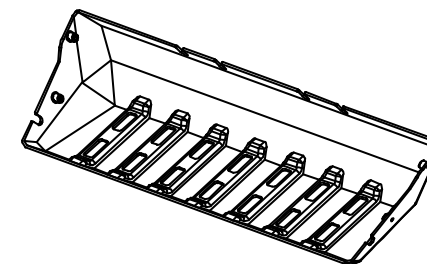


J\*1

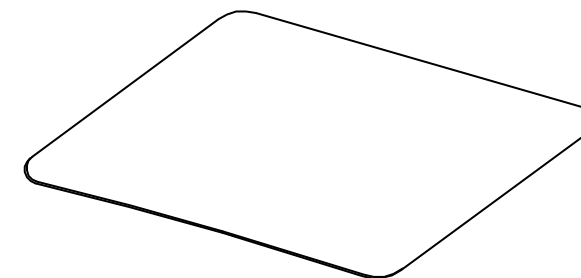


K1\*1

K2\*1



L\*1



M\*1

### Welcome to the WEAVE family

♥ Thank you for choosing WEAVE products! We still provide one year warranty and after-sales services.

As a member of us, What you get ?

- You could obtain 12 month extended warranty and lifetime after-sales services.
- You could participate new product free test plan, get the new products for free.
- You could gain extra discount if you buy again or other related products in our store.

We look forward to the communication with each customer. If you have any other issues, please feel free to email us.

### Sharing your products experience

We sincerely hope that our products can meet your needs and expectations, but it is inevitable that the products maybe damaged or missing parts of products during the delivery.

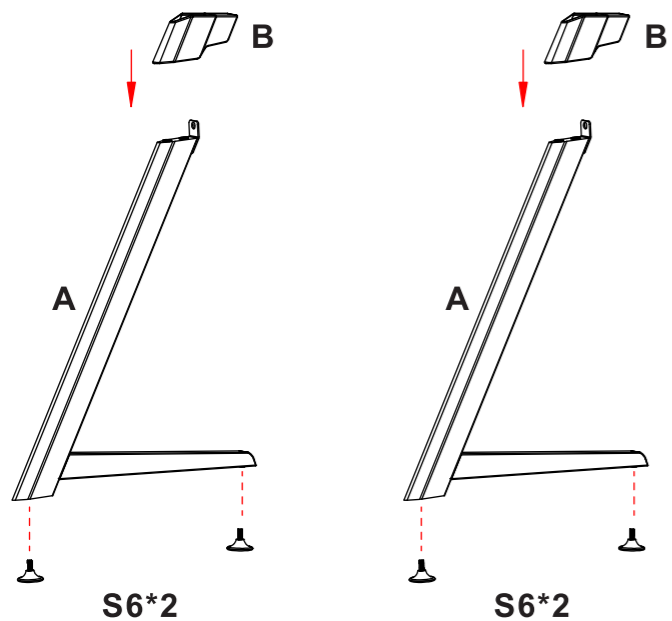
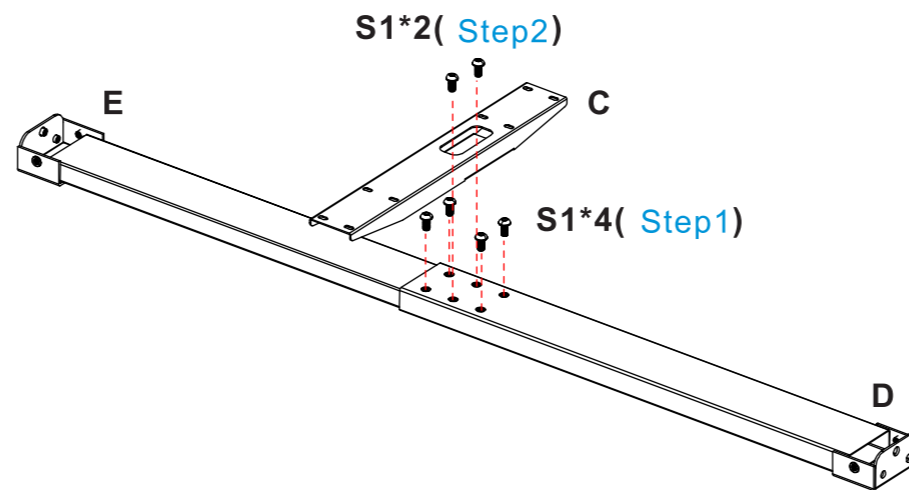


If you are satisfied with our products and services, you could leave a honest product comment for us at your convenience. I believe your sharing will also give guidance for more customers.

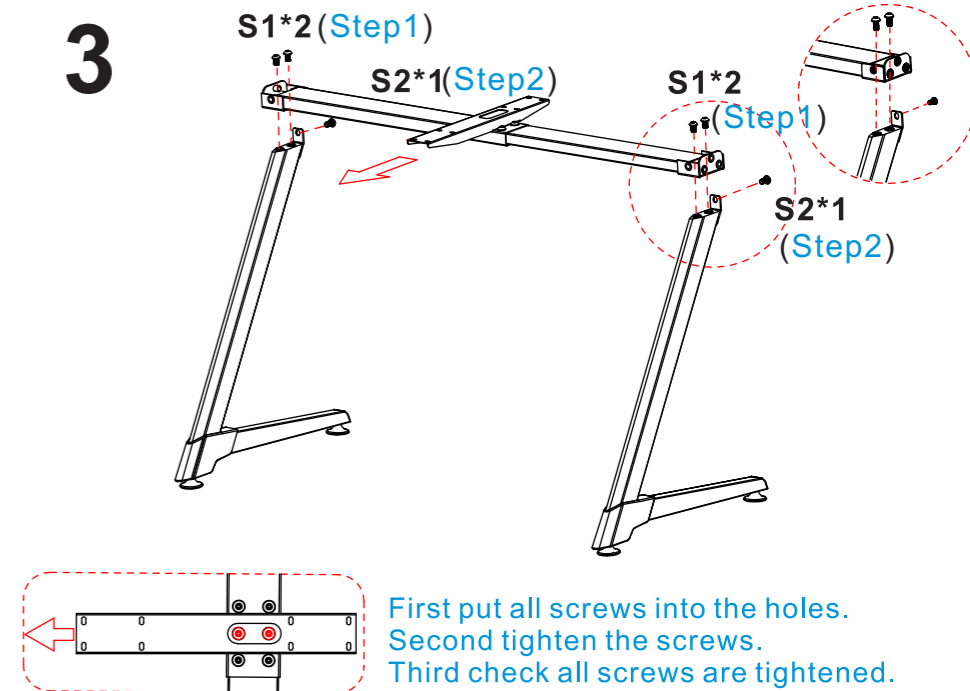
No matter what happens, we will certainly provide a satisfactory solution for you, and solve the problem within 24 hours. Please contact us at the first time via email.

HelloWeaveGaming@Gmail.com

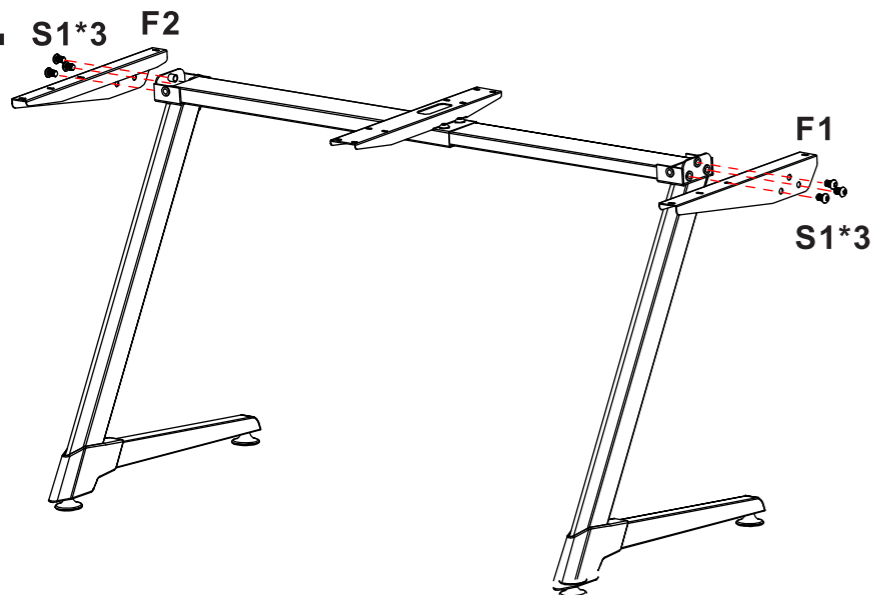


**1****2**

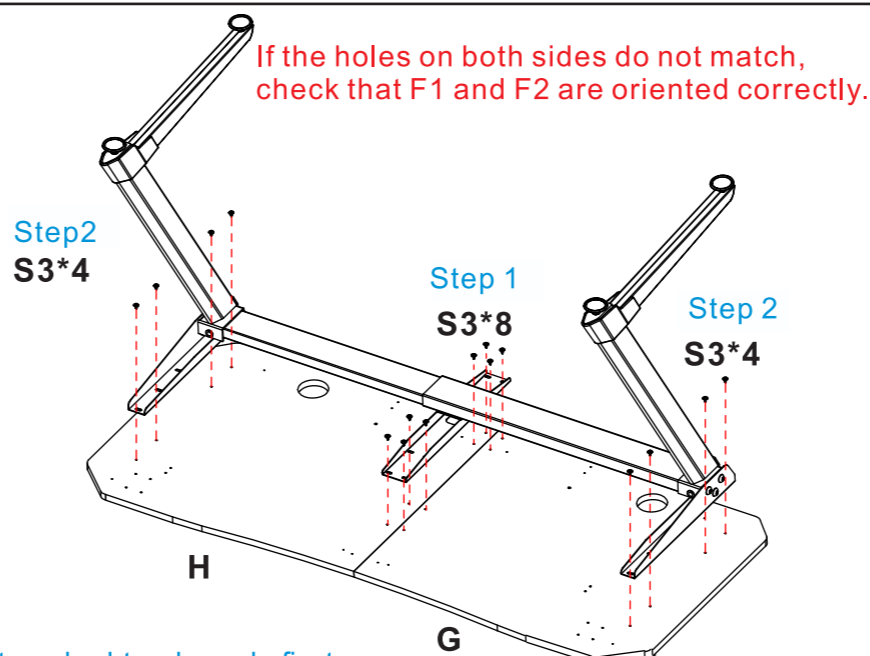
⚠ please make sure C part is perpendicular to E-D part.

**3**

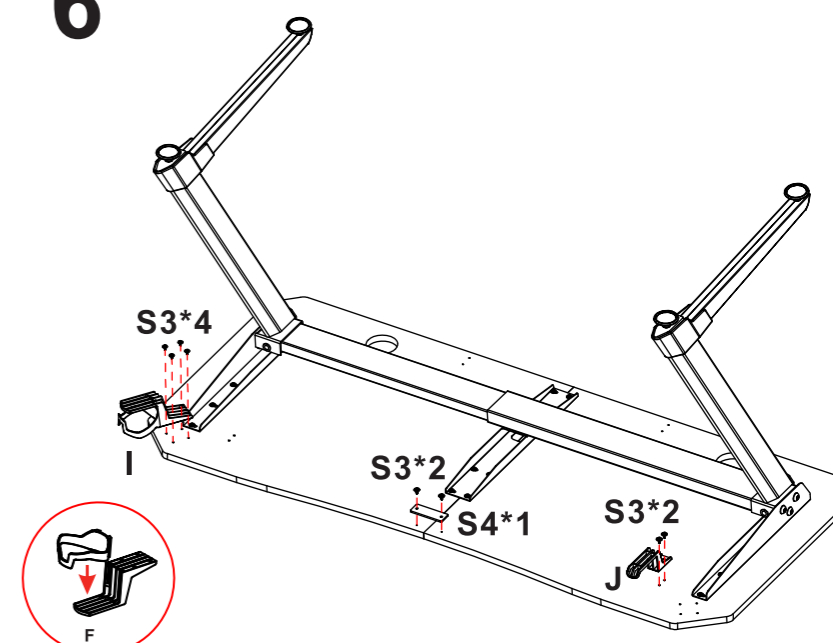
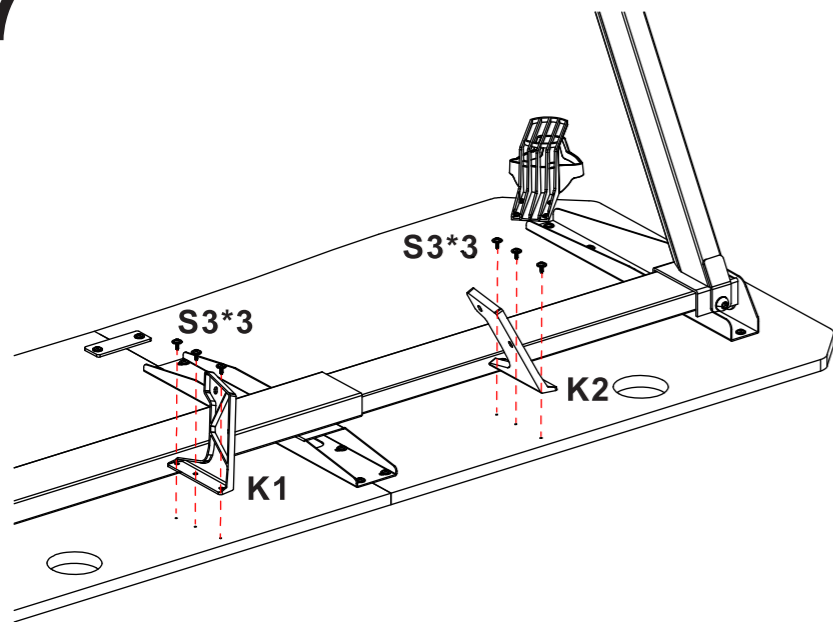
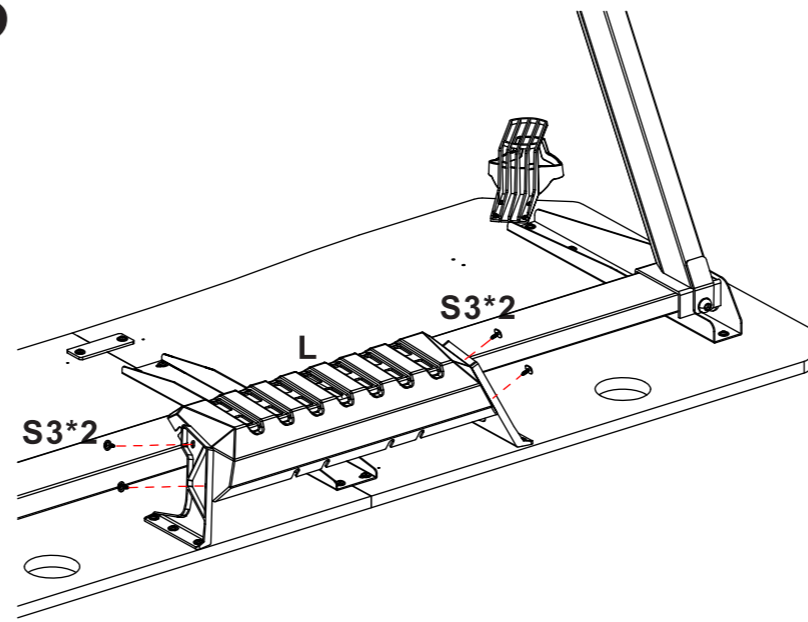
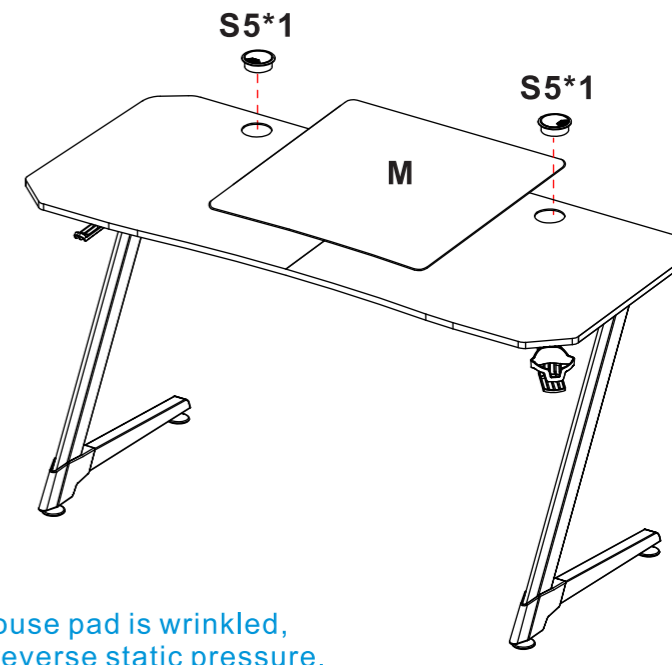
First put all screws into the holes. Second tighten the screws. Third check all screws are tightened.

**4**

Please pay attention to the installation direction of F1 and F2 parts

**5**

Align the two desktop boards first Match the screw holes on the shelf with desktop

**6****7****8****9**

If the mouse pad is wrinkled, please reverse static pressure.