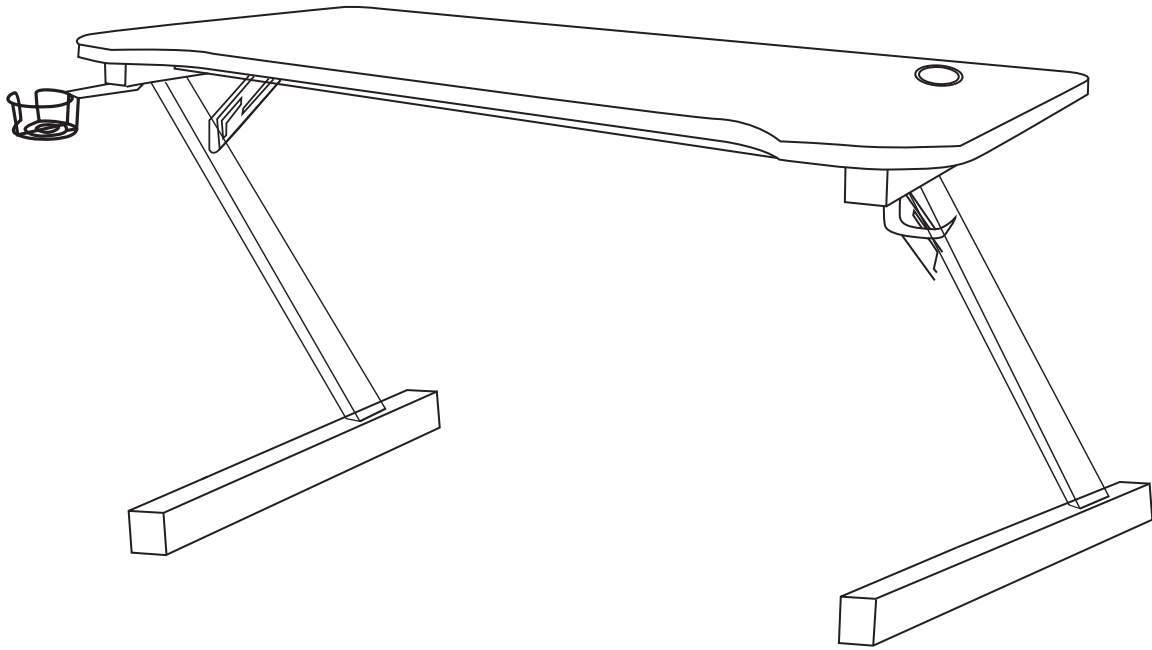
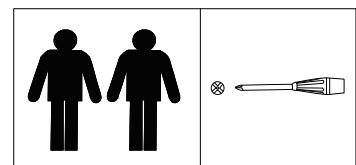


# ELECTRICAL COMPETITION TABLE INSTALLATION CHART


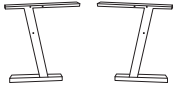
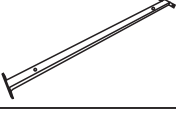
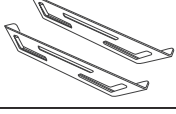









## Warning:

1. The maximum static loading weight is 220lb and the dynamic loading weight is 11-18lb!
2. The desk can not lift up by itself at the first time after placing some times or temperature is too low, you have to give a little pull force by hands to help it lift up!
3. The desk have potential danger of tip-over if don't use it wisely, so children need to be accompanied by adult.

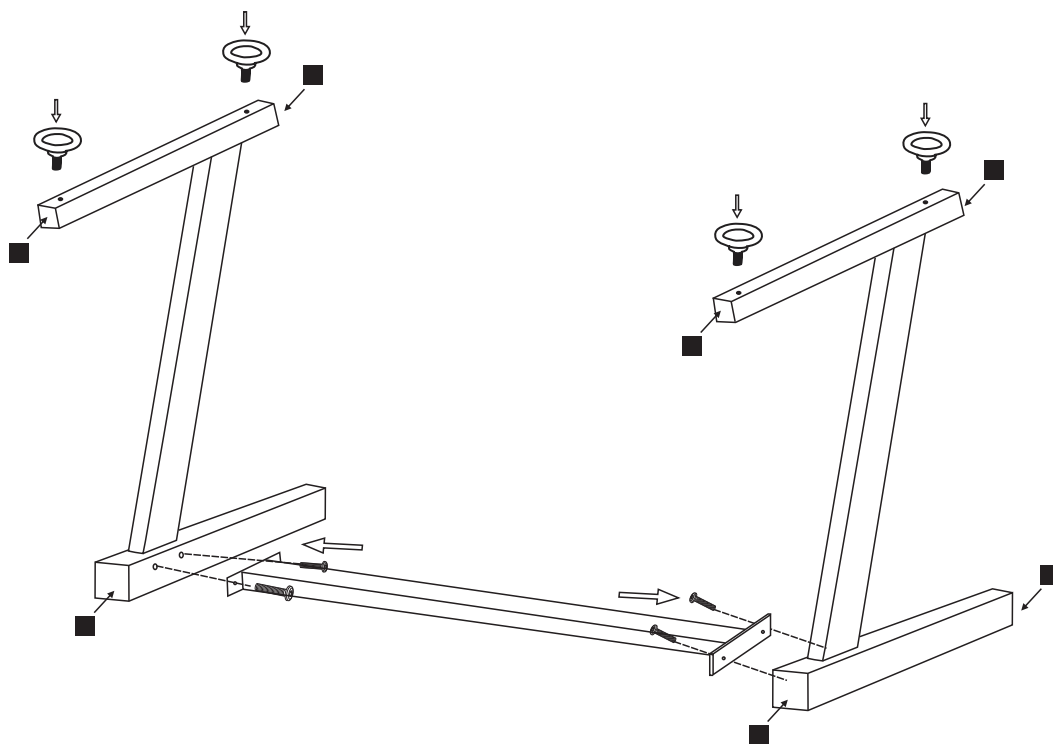


# Accessories

					
Desktop	Two feet of the table	One of the bars	Link two iron tablets	Iron rack screws	The cup rack hooks crew
					
Desktop screws	vails	Cup rack, hook	Pass the cover	Fonse	

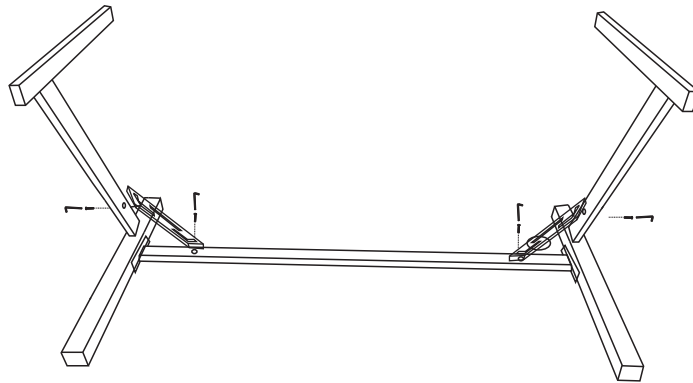
## STEP 1

The screw is screwed first, then fastened into the iron pipe, and then screwed with M6 x16screw



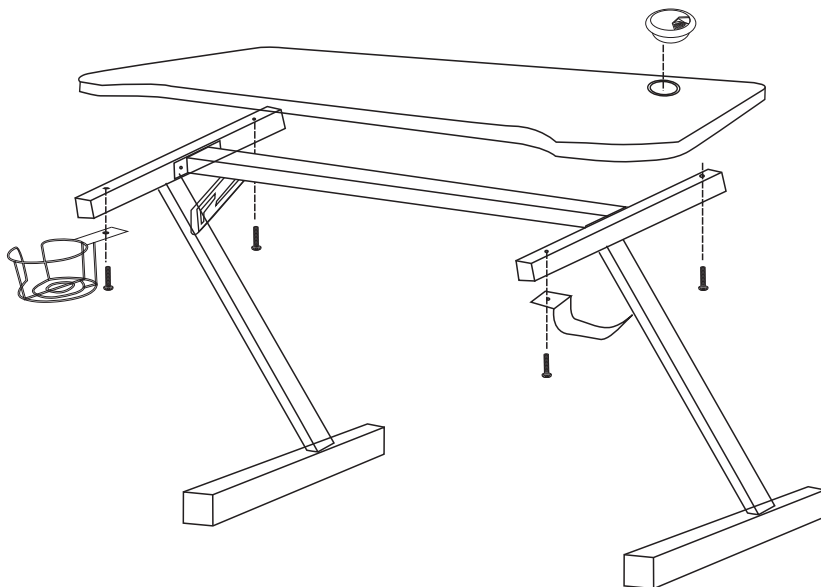
## STEP 2

The iron tablet link is also screwed with M6 x16screws

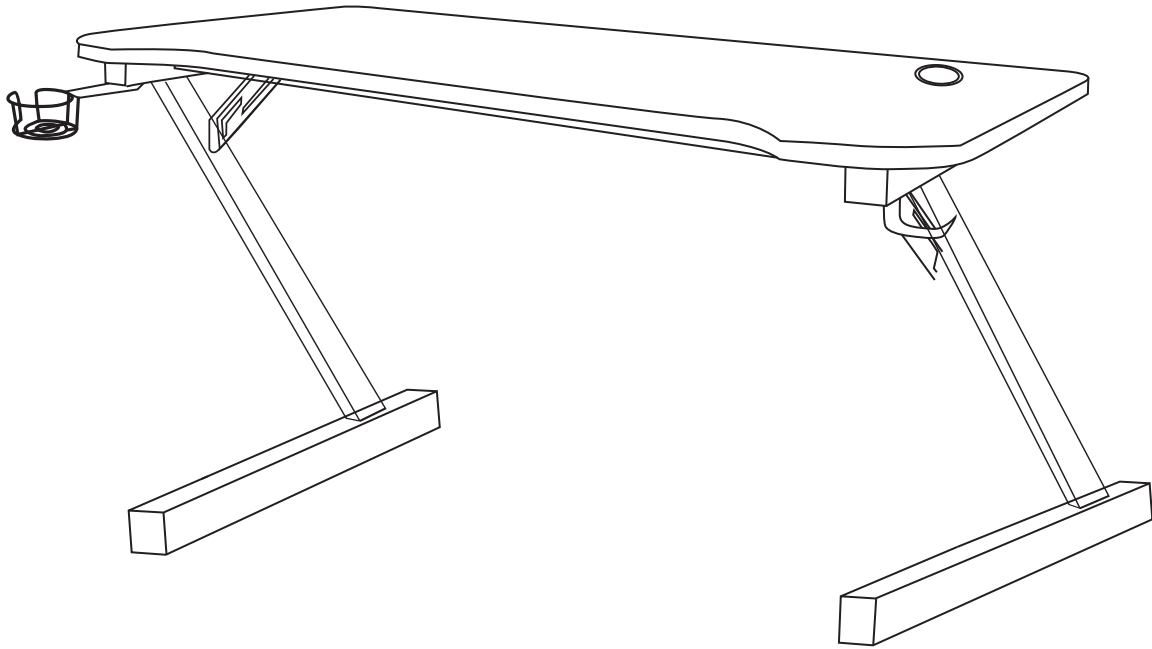


## STEP 3

Install the desktop with M6 x 30screws and the cup frame with M6 x12 screws



## STEP 4



## Contact Weave Support

**Need service or support?  
Start your request by Emailing Us.  
AND we will find you a Solution.**

**@ HelloWeaveGaming@Gmail.com**

We will get back to you within 24hrs.