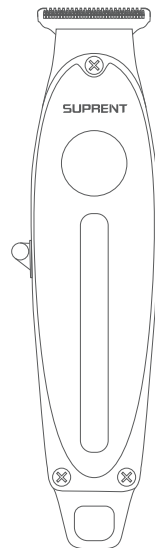


SUPRENT PEARL



PRODUCT MANUAL

BT515BX / BT515EX
All Metal Hair Trimmer

SUPRENT PEARL

SUPRENT PEARL Series all-metal cordless hair trimmers for men is a new trimmer we upgraded in 2021, including green and black. Enough to meet your choice of different lengths of beard trimming with 6 different limit combs. This trimmer is also a T-outline trimmer that is very suitable for trimming details and for a popular hairstyle. The sharp blade is great at making crisp, clean lines.



Brand Owner:ShenZhen Eukey E-Business Co.,Ltd
Email:support@suprent.com

TABLE OF CONTENTS

ENGLISH	1-7
SAFETY INSTRUCTIONS.....	1
PART IDENTIFICATION.....	3
CHARGING.....	4
USING.....	5
CARE AND CLEANING.....	6
DISPOSAL.....	6
GUARANTEE.....	7
TECHNIC PARAMETER.....	7

SAFETY INSTRUCTIONS

Before using the appliance for the first time, you must read and understand the user manual completely. Consider the user manual as part of the product and store it in a safe and accessible place.

Include this user manual if passing the appliance on to a third party. In the case of conflicts with national safety specifications or instructions the national requirements must be followed.

Danger

1. Keep the power adapter away from water.
2. Do not operate the appliance with a broken cord, plug, or charger, or if the appliance malfunctions, or is dropped or damaged in any way.

Warning

To reduce the risk of burns, fire, electric shock or injury to persons:

1. The appliance should never be left unattended when plugged into a power outlet, except when charging the shaver.
2. The adapter contains a transformer. Do not cut off the adapter to replace it with another plug, as this causes a hazardous situation.
3. This appliance can be used by children aged 8 years and above and persons with reduced physical, sensory or mental capabilities, or lack of experience and knowledge, if they have been given supervision or instruction concerning the use of the appliance safely and understand the hazards involved. Children shall not play with the appliance. Cleaning and user maintenance shall not be made by children without supervision.
4. Children should be supervised to ensure that they do not play with the appliance.
5. Use this appliance only for its intended use as described in this manual. The use of attachments that are not supplied by the manufacturer may cause fire, electric shock or injury and damage to the appliance.

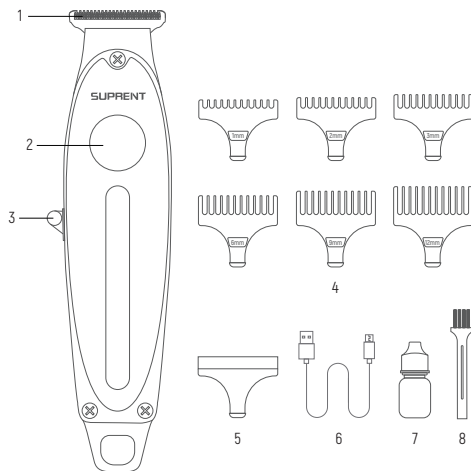
SAFETY INSTRUCTIONS

- Never operate this appliance if it has a damaged cord or plug, if it is not working correctly, if it has been dropped or damaged, or dropped into water. If the supply cord or plug of this appliance is damaged it must be replaced. It cannot be repaired.
- Do not use this appliance with a damaged or broken tracks or cutters, as injury may occur.
- Do not immerse the unit or let it come into contact with water or any other liquids.
- Switch off the appliance and unplug from the outlet when not in use, before putting on and also before cleaning the appliance.
- Do not plug or unplug the shaver with wet hands.

Caution

- Use, charge and store the appliance at a temperature between 5 °C and 35 °C.
- Never insert any object into any opening.
- Do not use it outdoors or in damp areas.
- Only for household use.
- Never use your appliance without paying attention! Always unplug this appliance from the electrical outlet immediately after use.

PART IDENTIFICATION



- Blade
- LED display
- Switch
- Guide comb

- Protective cap
- USB cable
- Oil
- Little clean brush

CHARGING

Note

1. Before using for the first time, please charge 2.5 hours fully.
2. Charge the appliance fully before you use it for the first time or after a long period of disuse. It takes approximately 2.5 hours to fully charge the appliance. When it is fully charged, the appliance has a cordless operating time of up to 180 minutes.
3. When you have charged the appliance for the first time, we advise you to use it until the battery is completely empty. Continue to use the appliance until the motor almost stops running during a session. Then recharge the battery. Follow this procedure at least twice a year.

Charging

1. Make sure the appliance is switched off.
2. Insert the USB cable plug into the appliance.
3. Put the adapter in the wall socket:
 - For the full charge, the LED display shows a white 180.
 - When the battery power is less than 10% it will flash to remind you to charge.
 - The charging light on the adapter shows red continuously to indicate that the appliance is charging.

Caution

1. Make sure the trimmer and your hands are dry when charging it.
2. Always charge it in a cool, dry place.

USING

Note

This trimmer body is not waterproof, please don't use it in the bathroom or any wet area.

How to use

1. Put the small end of the USB cable connected with the jack of the battery pack which lies at the bottom of the machine, then put the other end of the USB cable connected with the power [5V/1A]. When charging, the indicator light shows red, the full charging time is about 2.5 hours, when fully charged it can work for more than 120 minutes.
2. Push the switch button to ON(as the figure 1), then it can be used, push to OFF to turn off the device(as the figure 2).

How to use the comb attachment

Please make sure the device is turned off before you use the comb attachment Features[1、 2、 3、 6、 9、 12mm] 6 lengths adjustment to control beard length.

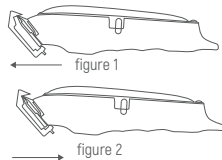
1. To determine the length of haircut
2. To select the appropriate limit comb

Mount the limit comb:

1. Align the limit comb with the blade edge
2. Slightly forward push to mount it.

Disassemble the limit comb:

Just pull hard the limit comb



CHARCARE AND CLEANING

Warm tip: do not disassemble the knife head without any skill.

Using the little brush, clean the blade in order to remove hair that may be caught between the blades, lubricate the space between the fixed blade and moving the blade with 2 or 3 drops of oil after every few uses (as the figure 3)

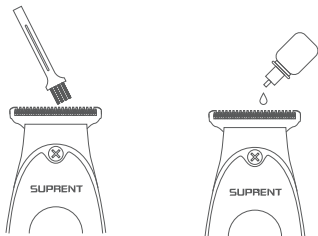


figure 3

DISPOSAL

Environment

1. Do not throw away the appliance with the normal household waste at the end of its life, but hand it in at an official collection point for recycling. By doing this, you help to preserve the environment.
2. The built-in rechargeable battery contains substances that may pollute the environment. Always remove the battery before you discard it and hand in the appliance at an official collection point. Dispose of the battery at an official collection point for batteries.

GUARANTEE

1. This product is guaranteed against defects in material and workmanship for a period of one year from the date of original purchase or receipt as a gift.
2. The guarantee becomes invalid in the case of misuse, alteration or repair by unauthorized persons.
3. This guarantee does not include blades, cables, shaver heads, foils and cutters, etc. which are consumable parts.
4. If you need service or information or if you have a problem, please visit the SUPRENT website at www.suprent.com or contact the SUPRENT Consumer Support, Email: support@suprent.com. We are willing to help you.

Note

The following situations will not be free maintenance:

1. No warranty card.
2. Fail to explain the reason for the breakdown.
3. The following circumstance is not covered by the warranty:
 - Damage caused by improper use, maintenance and repair.
 - Damage caused by the non-appointed maintenance department.
 - Damage caused by self-assembly and disassembly.
 - Damage caused by force majeure.

If you are not satisfied with the quality of service, you can complain directly to our customer service center.

TECHNIC PARAMETER

Motor's voltage	DC 3.7V
Charging standard	5V-1A
Charging time	2.5 Hours
Working time	180 Minutes
Speed levels	7000RPM