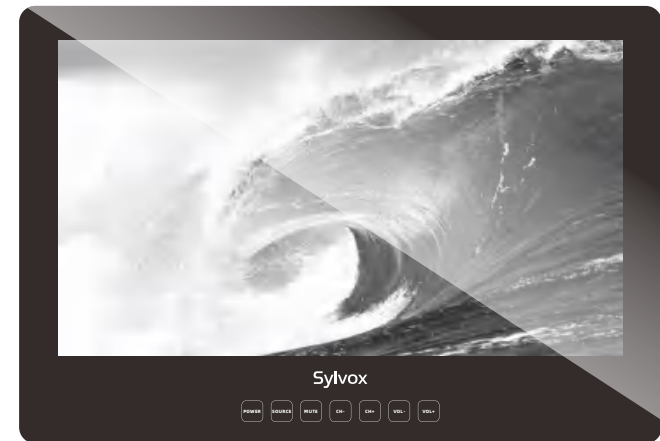


Sylvox

Bathroom TV



USER'S MANUAL

Note: Reserved installation hole (detailed on page 6)

Note: The product and illustrations in this user's manual is only for explanation purposes and may vary depending on model.

English

USER'S MANUAL

Français

MANUEL DE L'UTILISATEUR

Español

MANUAL DE USUARIO

General Information

To avoid damaging the television set please observe the following safety instructions during setup and use.

Cleaning the television set	Before cleaning, disconnect the television set. Use only a soft damp cloth or a special cleaning product for flat-screens.
LED Display	Too much pressure on the screen can damage the television set.
Heat/damp/humidity	The television set should not be exposed to high temperatures (radiators, open fire). The television set should not be used in areas with high humidity.
Condensation	If moved from a cool area to one with a higher temperature, the television set should be left for at least an hour before plugging it in. A rapid change of temperature can lead to the formation of condensation in the television set itself. This can lead to damage if the television set is in use.
Air Circulation	To prevent overheating of the television set the ventilation slots at the rear should always be clear.
Small Objects	It is important to ensure that no small objects or liquids enter the television set. They can cause damage or even fire.
Crushing	Take care to avoid crushing fingers or other objects when turning the television set in any direction.
Electric Supply	Use the television set only with the voltage indicated in the specifications. Ensure that there is easy access to the plug and that the television set can always be disconnected from the electricity supply. Do not disconnect the television set by pulling the power cable. Always take hold of the plug. The power cable must not be kinked or placed over sharp edges.
Moving the Television Set	When moving the television set, hold only the casing.
Repairs/Accessories	Repairs and servicing must be undertaken only by authorised and trained personnel.
	In accordance with the Batteries Regulation, batteries are to be disposed of only in containers provided for this purpose.



CAUTION

RISK OF ELECTRIC SHOCK
DO NOT OPEN



In extreme weather (storms, lightning) and long inactivity periods (going on holiday) disconnect the TV set from the mains. The mains plug is used to disconnect TV set from the mains and therefore it must remain readily operable. If the TV set is not disconnected electrically from the mains, the device will still draw power for all situations even if the TV is in standby mode or switched off.

IMPORTANT - Please read these instructions fully before installing or operating
WARNING: Never let people (including children) with reduced physical, sensory or mental capabilities or lack of experience and / or knowledge use electrical devices unsupervised.

- For ventilation purposes, leave at least 5cm of free space around the TV.
- The ventilation should not be impeded by covering or blocking the ventilation openings with items, such as newspapers, table-cloths, curtains, etc.
- The power cord plug should be easily accessible. Do not place the TV, furniture, etc. on the power cord. A damaged power cord/plug can cause fire or give you an electric shock.
- Handle the power cord by the plug, do not unplug the TV by pulling the power cord. Never touch the power cord/plug with wet hands as this could cause a short circuit or electric shock. Never make a knot in the power cord or tie it with other cords. When damaged it must be replaced, this should only be done by qualified personnel.
- Do not expose the TV to dripping or splashing of liquids and do not place objects filled with liquids, such as vases, cups, etc. on or over the TV (e.g., on shelves above the unit).
- Do not do not place open flames such as lit candles on the top of or near the TV.
- Do not place any heat sources such as electric heaters, radiators, etc. near the TV set.
- Do not place the TV on the floor and inclined surfaces.
To avoid danger of suffocation, keep plastic bags out of the reach of the babies, children and domestic animals.
- Do not dispose of the batteries in fire or with hazardous or flammable materials.
Warning: Batteries must not be exposed to excessive heat such as sunshine, fire or the like.
- If you think batteries might have been swallowed or placed inside any part of the body, seek immediate medical attention.

WALL MOUNTING WARNINGS

Read the instructions before mounting your TV.

Do not install the TV on an inclined.

Use the specified wall mounting screws and other accessories.

Tighten the wall mounting screws firmly to prevent the TV from fall.

Do not over-tighten the screws.

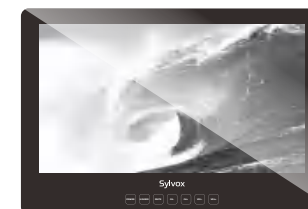
A television set may fall, causing serious personal injury or death. Many injuries, particularly to children, can be avoided by taking simple precautions such, Educating children about the dangers of climbing on furniture to reach the television set or its controls.

Accessories

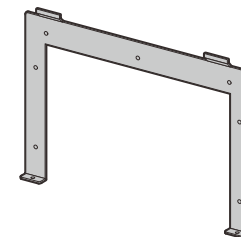
Please make sure the following items are included with your TV.
 If any items are missing, Please contact us.



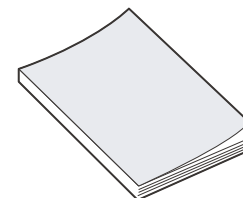
Remote Control



Television



Wall bracket



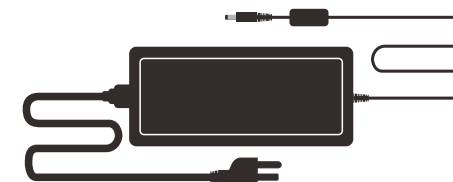
User's manual



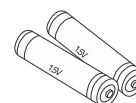
Warranty Card



Screwdriver



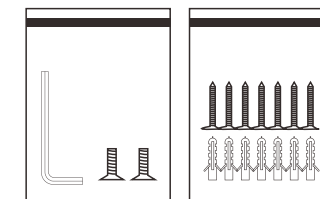
Adapter



Batteries (AAA x 2)



Remote control base



Fixed fittings

Content

SPECIFICATION	1
OVERVIEW	2-3
SUPPORTING SIGNALS	4
INSTALLATION	5-9
GENERAL DESCRIPTION	10
REMOTE-CONTROL UNIT	11
TV OPERATION	12-27
HOME SCREEN	16
INPUT SOURCE	16
DASHBOARD	18
CHANNELS & INPUTS	18
DISPLAY & SOUND	19-20
NETWORK & INTERNET	21
ACCOUNTS & SIGN-IN	22
PRIVACY	23
APPS	24
SYSTEM	24-26
REMOTES & ACCESSORIES	27
READ BEFORE USING APPS	28
TROUBLESHOOTING	29-31
WARRANTY POLICY	32-33

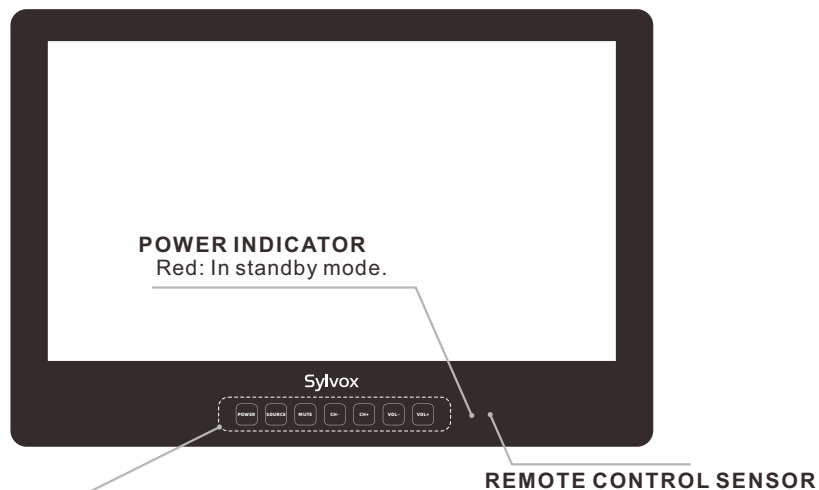
Specification

Model	BT24A1KGGB	BT32A1KGGB
Display Size	24"	32"
Display Screen Type	LED	
Power adaptor	DC 12V $\overline{\text{---}}$ 4A	DC 12V $\overline{\text{---}}$ 6A
The maximum resolution	1920 X 1080	
Power Consumption(Max)	30W	58W
Sound output(Max)	2 x 5W	
Image control	Fine digital control	
Display screen type	Color active matrix LED display	
TV receive system	NTSC System, ATSC System	
Frequency range	Antenna: 2~69; Cable: 1~135 (Analog: 1-125, Digital: 1-135)	
Video IN	NTSC3.58	
Antenna input impedance	75 Ω (Unbalance)	
Product Dimensions (Include base bracket)	23.50 x 16.00 x 1.65 inch	31.04 x 19.90 x 2.00 inch
Operation environment temperature	0°C-40°C	

Note:

Design and specification modification maybe made at any time without prior notice, all data and dimensions are approximations.

Overview



POWER: Press this button to turn the TV on or off.

SOURCE: Press to open the input source list.

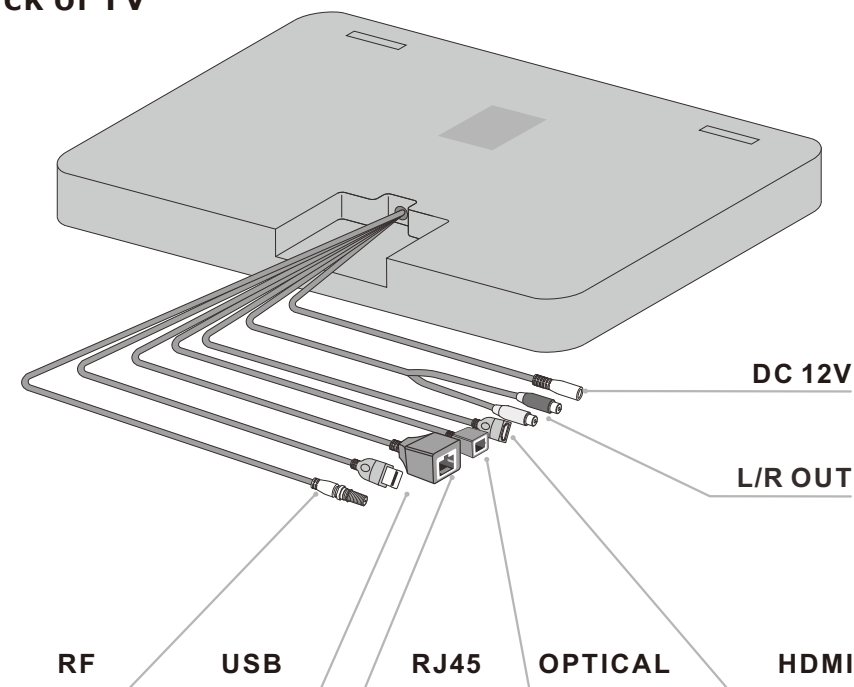
MUTE: Press this button to cut off the sound of the TV set temporarily, press again to resume.

CH-/+: Press to change channels.
In the on-screen menu, use the CH +/- buttons as up/down arrow buttons.

VOL-/+: Press to increase or decrease the volume.
In the on-screen menu, use the VOL +/- buttons as left/right arrow buttons.

Overview

Back of TV



- 1. RF**
Connected to external antenna to receive the ATV/DTV program in ATV/DTV mode.
- 2. USB**
USB input.
- 3. RJ45**
Ethernet connection.
- 4. OPTICAL OUT**
Digital audio output.
- 5. HDMI**
Connecting for HDMI signal.
- 6. L/R OUT**
Connect to the audio output jacks on your amplifier/home theater.
- 7. DC 12V**
DC input.

Supporting Signals

PRESET MODE (HDMI)

	Resolution	V.Freq.(Hz)	H.Freq.(KHz)
1	640x480	59.94	31.469
2	720x480	59.94	31.469
3	720x576p	50	31.25
4	800x600	60	37.9
5	1280x720p	60	45
6	1920x1080i	60	33.75
7	1920x1080p	60	67.5

Installation

Precautions during installation



Please install the TV host after the unit bus is installed. However, if the wall is difficult to process after installation, please process it before installation.

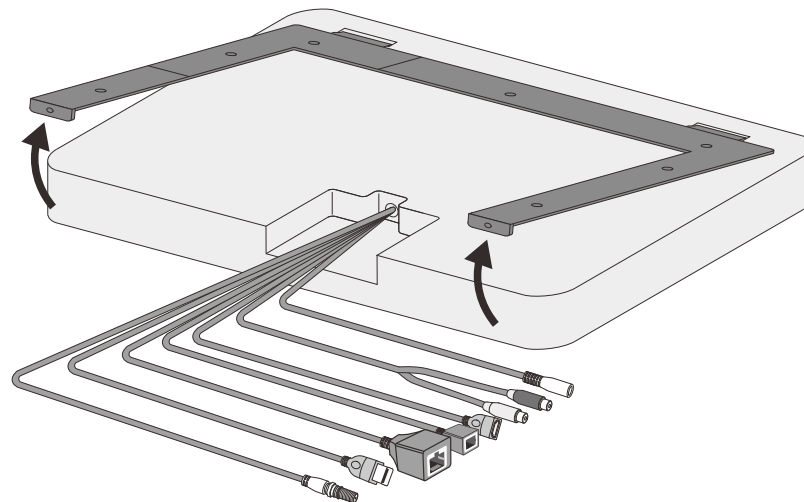
Please confirm the installation position of the TV main body, so as not to interfere with the wiring or faucet of the remote controller for hot water supply.

If there are ribs on the back of the wall, please avoid the ribs and adjust the position of the mounting holes.

When using the mounting bracket, please be careful not to be injured by the end face.

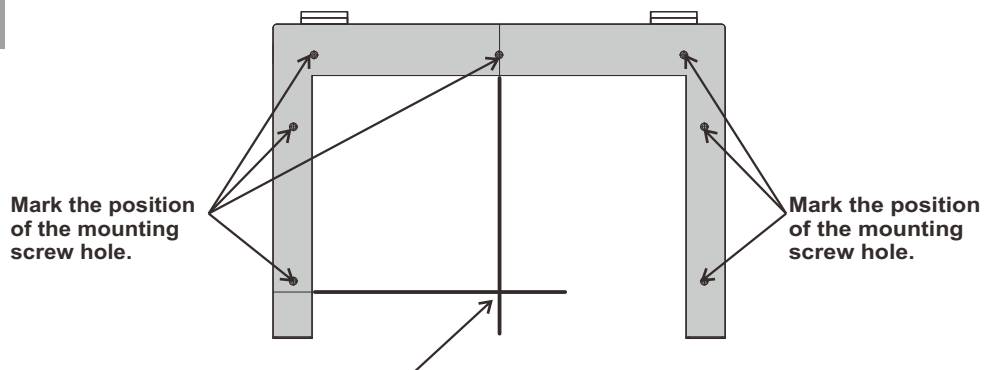
Matters needing attention when unpacking

The mounting bracket leaves the factory in the state of being mounted on the TV main body. When disassembling, please lift the bottom side, and then pull out the upper claw.



Mark the positions of wiring holes and screw holes.

- Place the installation fittings in the predetermined installation position of the bathroom wall.
 - ※ Please pay attention to the size difference between the mounting bracket and the TV main body.
The main body of the TV set is better than the mounting accessories, 40mm on the left and right.
 - ※ Please make sure that the wall at the scheduled installation location is flat.
- Draw a reticle on the bathroom wall according to the lines engraved on the mounting bracket.
- Mark the mounting hole position 7 of the mounting bracket.



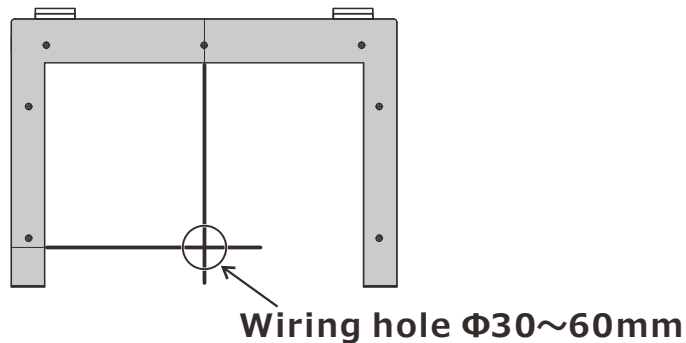
Draw a crosshair according to the reference line.



When sticking to the mounting bracket, please pay attention to whether it is horizontal.

Drill wiring holes in the bathroom wall

With the intersection point of the reticle drawn on the bathroom wall in step 1 as the center, punch $\Phi 30\text{ mm} \sim \Phi 60\text{ mm}$.



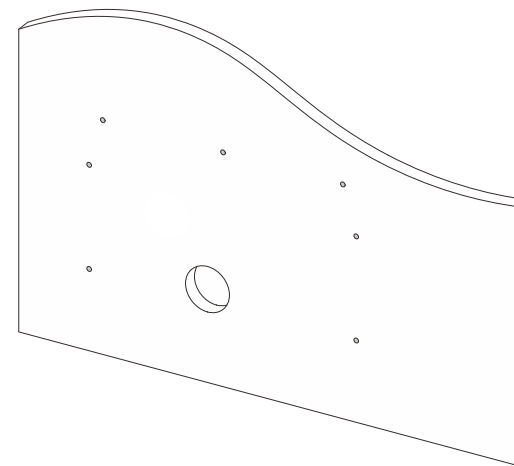
Installing support

Make a bottom hole at the place where the screw is driven.

Please use screws or fixers in the installation of metal parts according to the material, thickness and state of the installed bathroom wall.

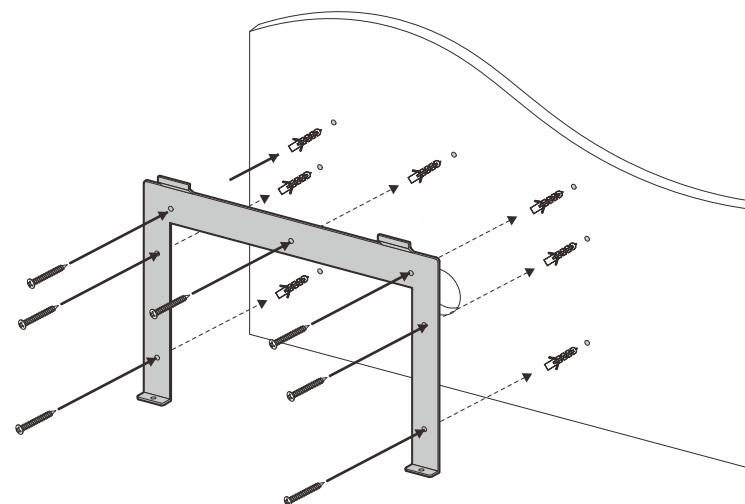
Punch holes in the marked positions in step 1.

When using the attached screws, please make a pre-drilled hole based on $\phi \Phi 3.0\text{mm}$.



Make a bottom hole at the place where the screw is driven.

Drive the current threaded sleeve into the hole and fix it with the screw mounting bracket.



Please be careful not to let the screws damage the pipes in the wall.

Cable jumper

Lead out the cable from the wiring hole.

The cable is led out from the wiring hole for about 200~300mm.

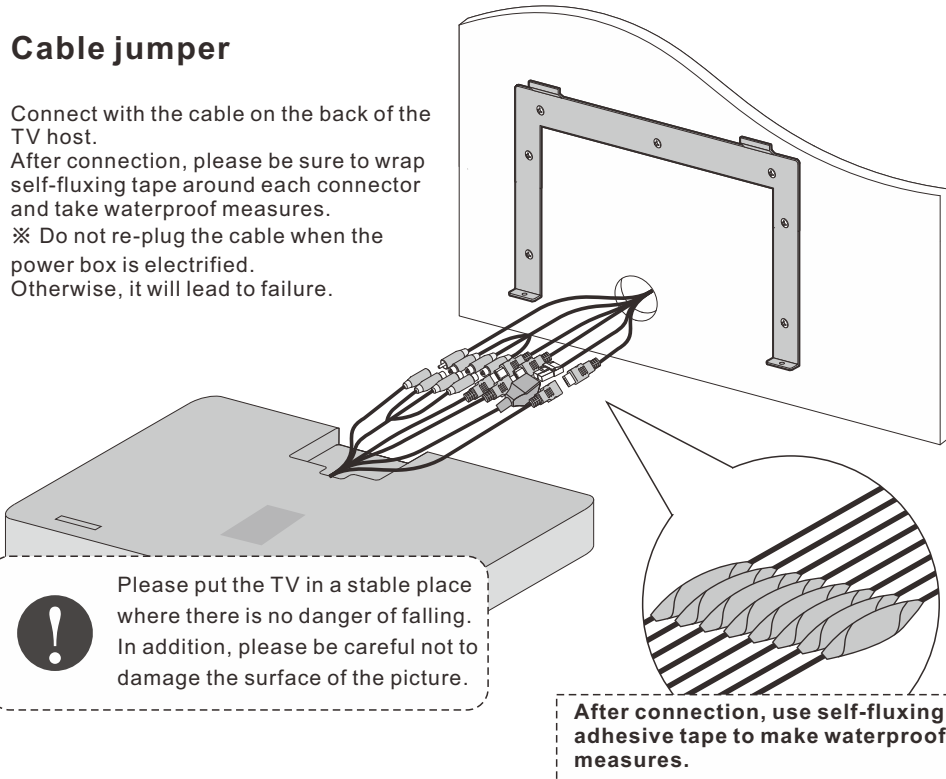
※ Do not pull the cable hard. Otherwise, it will lead to disconnection.

Cable jumper

Connect with the cable on the back of the TV host.

After connection, please be sure to wrap self-fluxing tape around each connector and take waterproof measures.

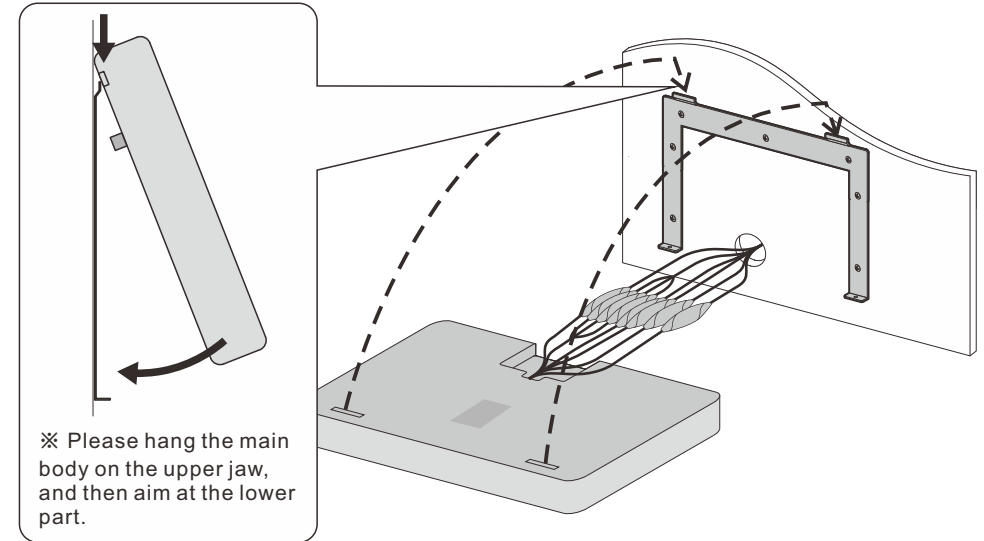
※ Do not re-plug the cable when the power box is electrified. Otherwise, it will lead to failure.



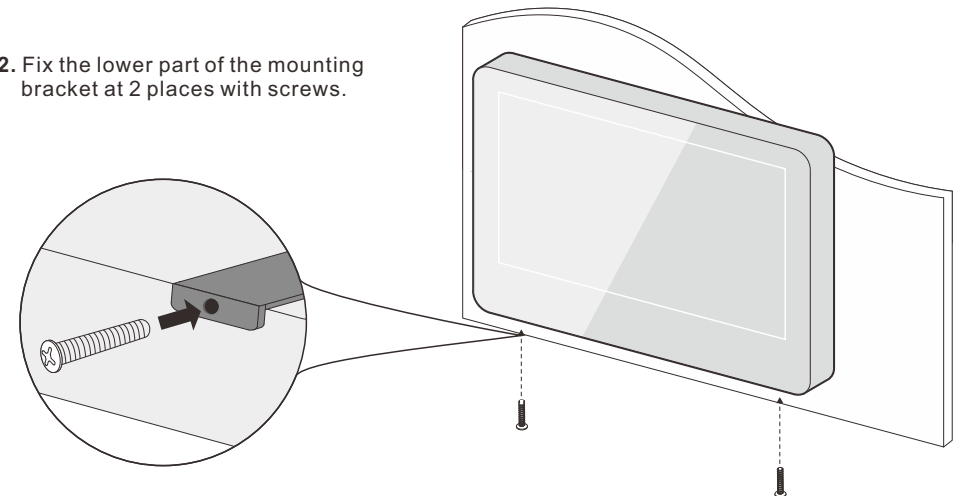
Temporarily set the TV main body Perform initial setting and action confirmation.

Install the TV main body on the installation fitting.

1. Align the slot of the TV main body with two claws on the upper part of the mounting bracket for installation.



2. Fix the lower part of the mounting bracket at 2 places with screws.

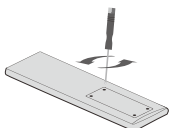


General Description

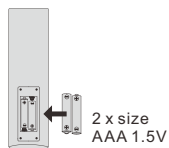
Remove the battery cover and insert the provided batteries. Then replace the battery cover.

Installing Batteries

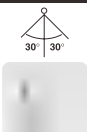
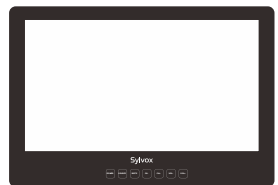
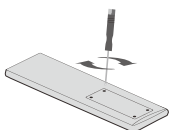
1 Use the accessory screwdriver to remove the four screws of the battery cover of the remote controller and open the battery cover.



2 Insert two 1.5V AAA size batteries in correct polarity. Don't mix old or used batteries with new ones.



3 Lock the four screws on the battery box cover of the remote controller with a screwdriver. Please keep the screwdriver.



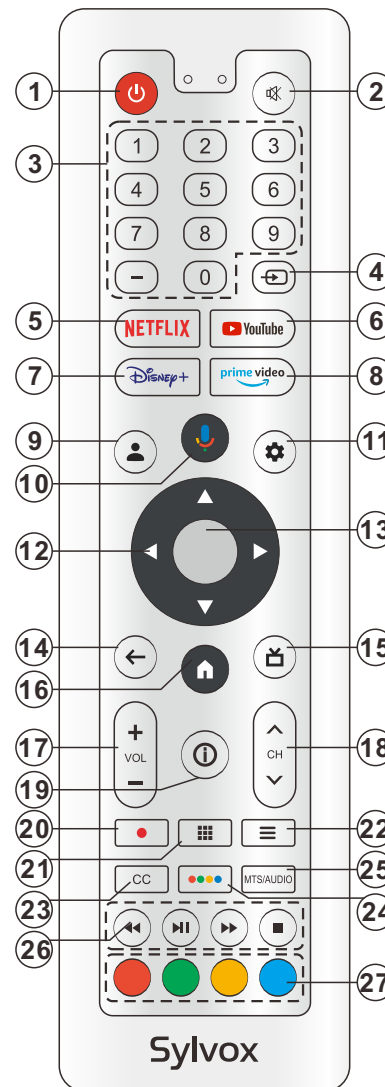
† Point the remote towards the remote control sensor of the wireless TV and use it within 7 meters.

† Put the used batteries into the recycling bin since it can negatively affect the environment.

Note:

- 1) Batteries should last approximately one year under normal use (actual use will vary).
- 2) If the TV will remain inactive for an extended period of time, remove the batteries from the remote control to avoid possible damage due to leakage.
- 3) Do not mix old and new batteries or different types of batteries.
- 4) Do not throw batteries into fire or water.
- 5) The batteries (battery pack or batteries installed) should not be exposed to excessive heat such as sunshine, fire or the like.

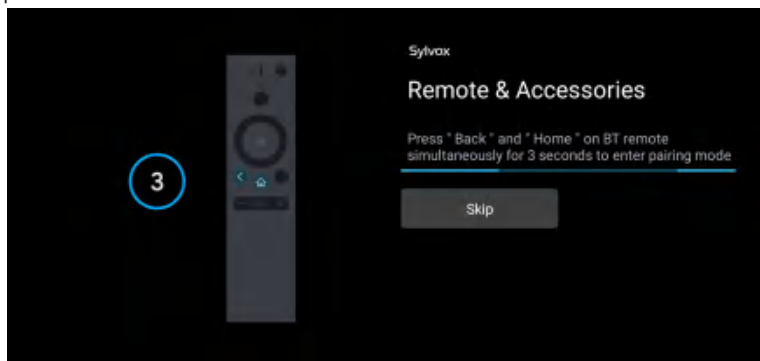
Remote-Control unit



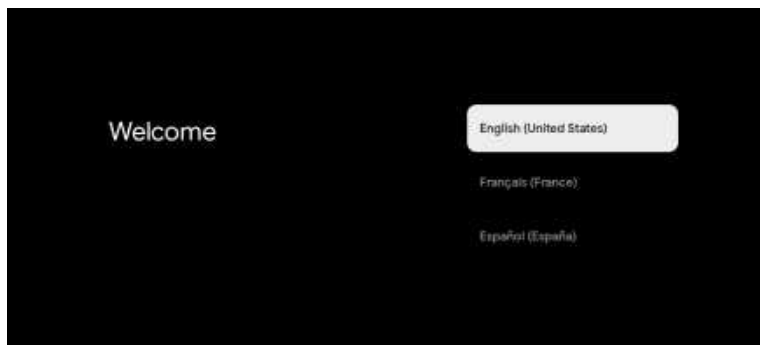
- 1. POWER:** Turn the TV on and off.
- 2. MUTE:** Press this button to cut off the sound of the TV set temporarily, press again to resume.
- 3. Digital Buttons (0-9, -):** Directly select channel with digital buttons.
- 4. INPUT:** Press to open the input source list.
- 5. NETFLIX:** If network connects, press this key to view NETFLIX directly.
- 6. YouTube:** If network connects, press this key to view YouTube.
- 7. Disney+:** If network connects, press this key to view Disney+.
- 8. Prime Video:** If network connects, press this key to view Prime Video.
- 9. Profile:** Switch profile.
- 10. Google Assistant:** Open Google Assistant.
- 11. Settings:** Access the settings (direct or through the dashboard in GTV) from any place in the system.
- 12. Arrow buttons ▲▼▶◀:** Use to select on-screen menu items and change menu values.
- 13. OK:** Confirms selection.
- 14. BACK:** Return to the previous menu.
- 15. Guide:** Open Live TV EPG.
- 16. HOME:** Display the HOME page.
- 17. VOL+/- :** Press these buttons to adjust the volume upward or downward.
- 18. CHA/V:** Press these buttons to change channel upward or downward.
- 19. INFO:** Press to display the channel information.
- 20. ● :** In DTV mode, press ● button to record the TV program.
- 21. APPS:** Press to display the app list.
- 22. LIST:** Press to display the channel list.
- 23. CC:** Display CC function menu in TV/AV mode.
- 24. Button:** Press to open virtual keyboard in DTV source.
- 25. MTS/AUDIO:** In USB mode, press this button to switch audio track when movie is playing. In TV mode, press this button to switch MTS or Audio Language.
- 26. DIGITAL MEDIA PLAYER CONTROL BUTTON:** Include backward, forward, play/pause, stop in USB mode.
- 27. COLOR BUTTONS:** It's used in the APPS.

TV Operation

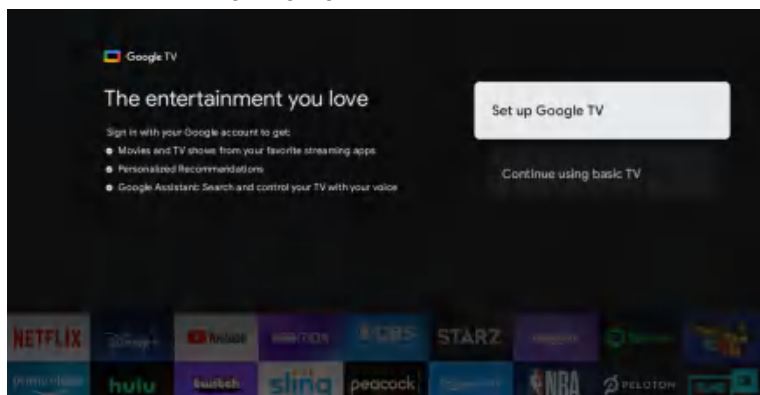
1. Please connect the TV to the power supply, and the indicator light will be red after power-on. Press the (power) button on the remote control or TV to turn on the TV.
2. You need to pair the remote control with the TV first. After the code is successful, you can use the Operate the Bluetooth remote control of the TV.



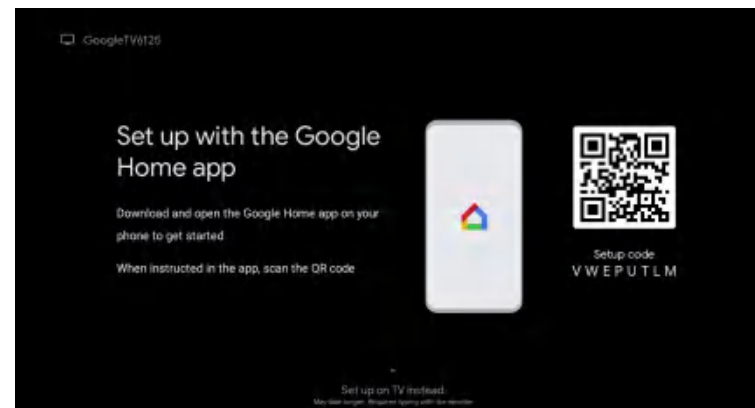
3. Press ▲/▼ to select the system language and press OK to confirm the language.



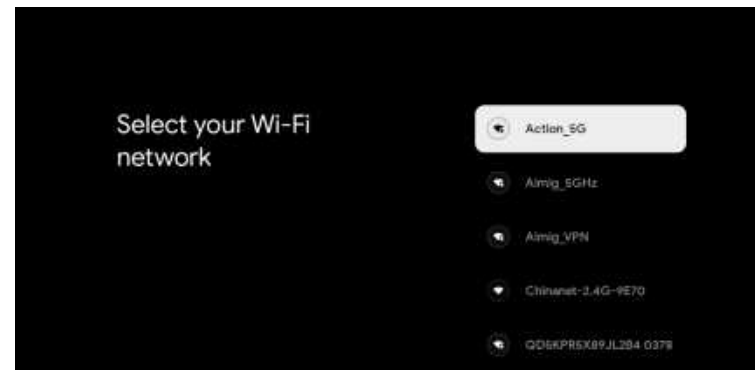
4. Press ▲/▼ to set up Google TV which need to sign in google account for Google service, or basic TV which not need to sign in google account.



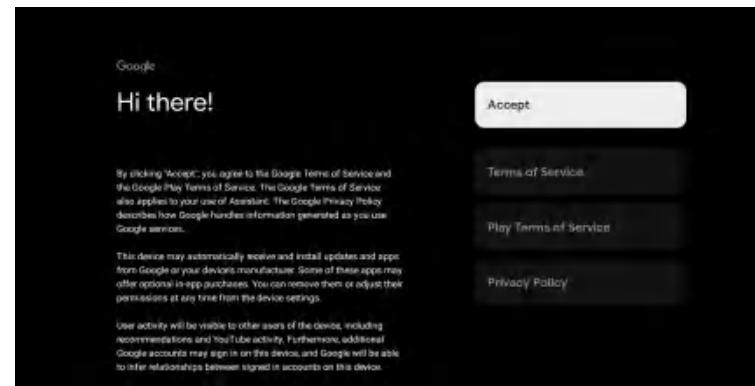
5. Scan setup code to download Google home app on your phone to set up or press ▲/▼ to set up on TV.



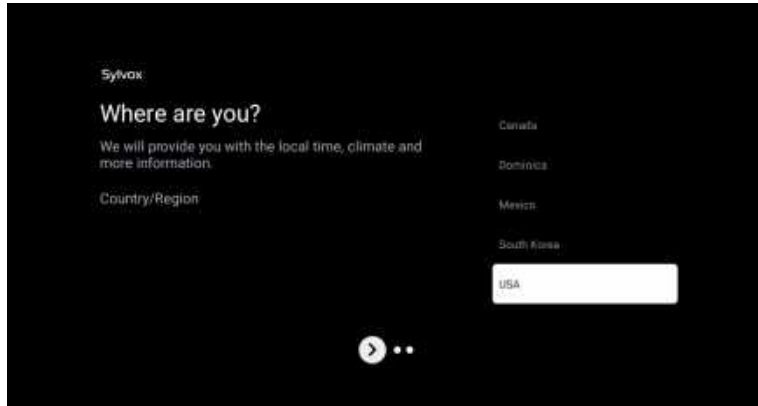
6. Press ▲/▼ to select the wifi to connect, press OK and enter the password to confirm the connection is successful.



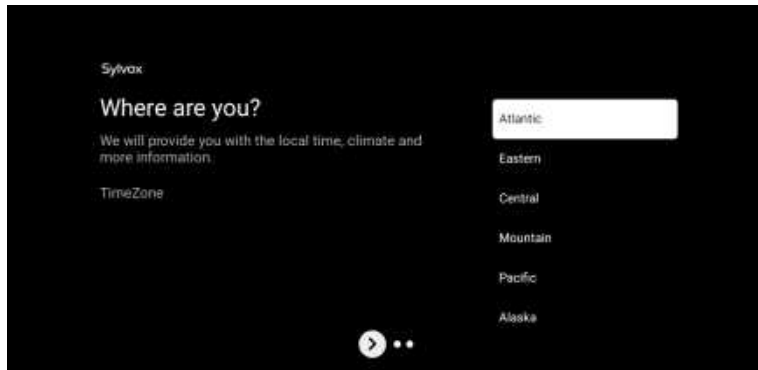
7. By accepting the Google Terms of Service to improve the product experience, select "Accept" to accept this condition.



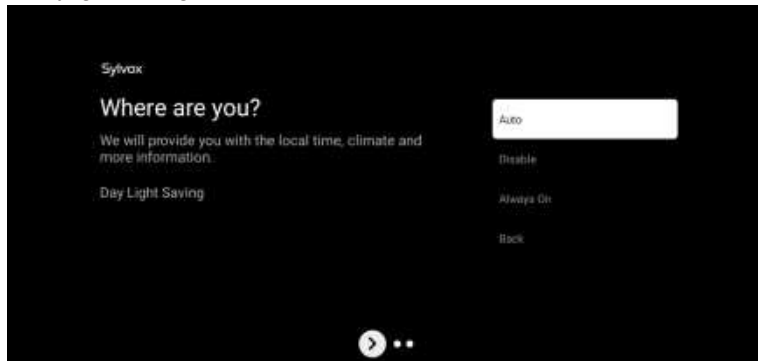
8. Set your location.



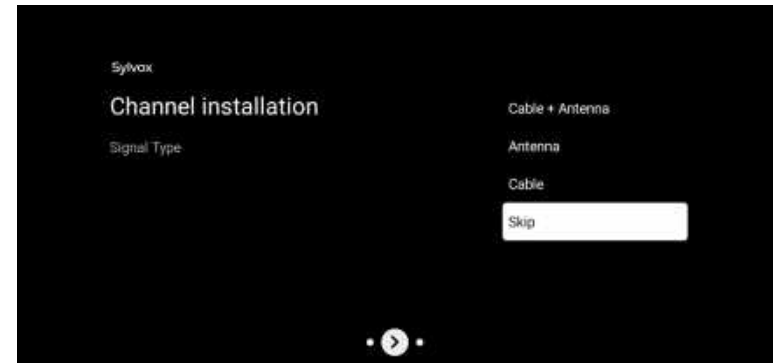
9. Set your Time Zone.



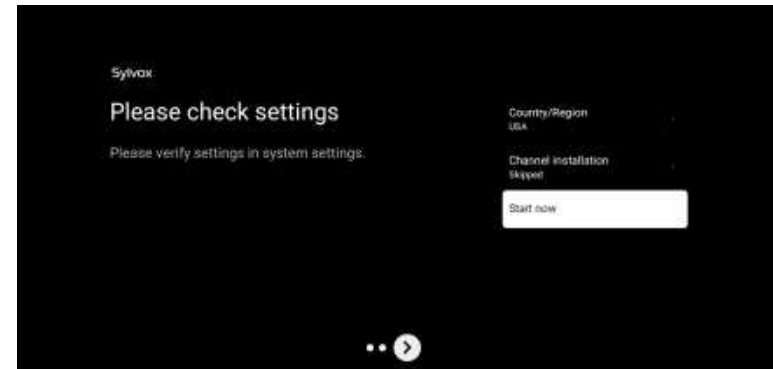
10. Set your Daylight Saving.



11. Set the Tuner mode, You can also choose to skip first.



12. Please double check your Settings, After confirming OK, you can use it.

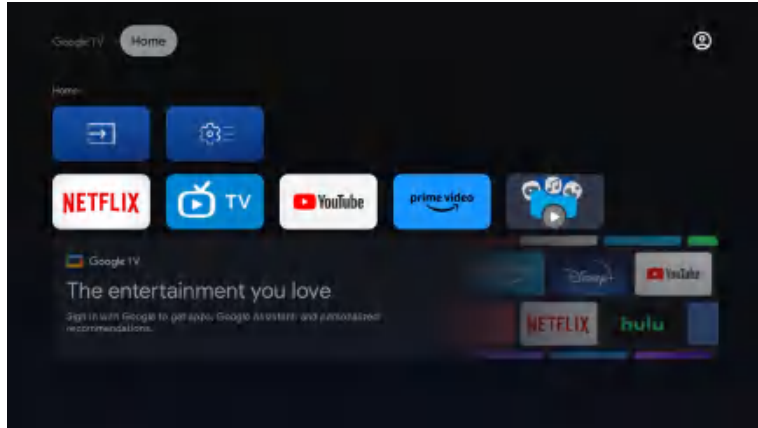


※ The content displayed in the image depends on your region.

HOME SCREEN

After completing the wizard Settings, you can watch TV and go to the home screen.

①



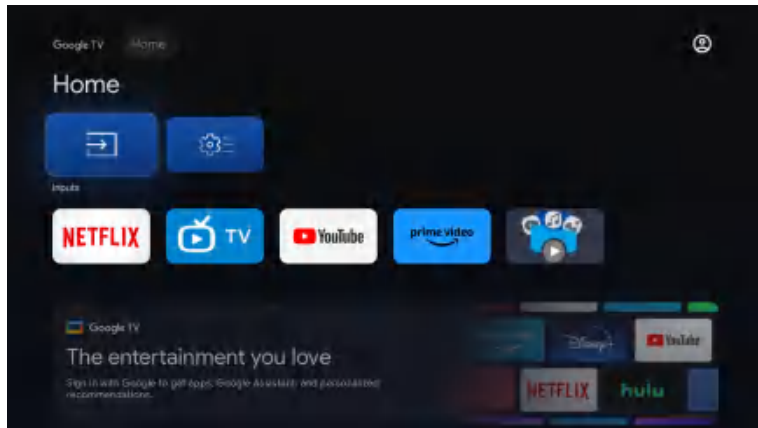
②

1. Open Google Assistant or start a text search.
2. Among the applications installed on the TV, the icons for the favourite applications are shown inside here. (Favourite applications can be added/ deleted/changed its order by users.)

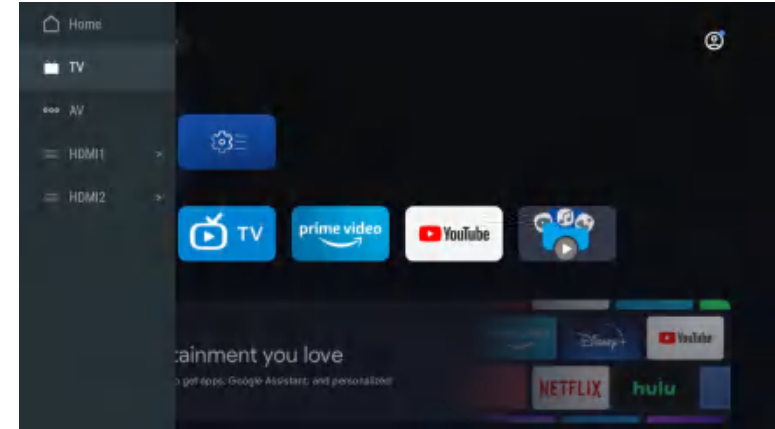
- ▶ Inputs: Icon to select an input source.
- ⚙️ Settings: Various settings can be configured here. For details on the settings, see the next explanation.

INPUT SOURCE

In the HOME interface, press ▲/▼/◀/▶ to select the "Inputs" icon, press OK to open the input source list, then press up to highlight an input and press OK to switch.

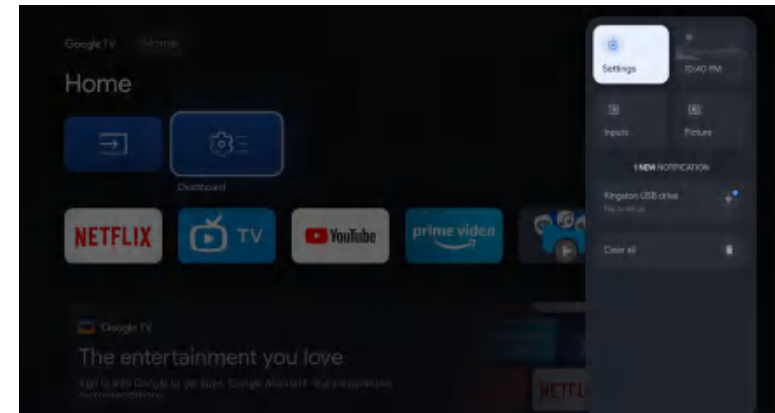


Under live TV, press the SOURCE button to display the list of input sources. You can select the desired source.

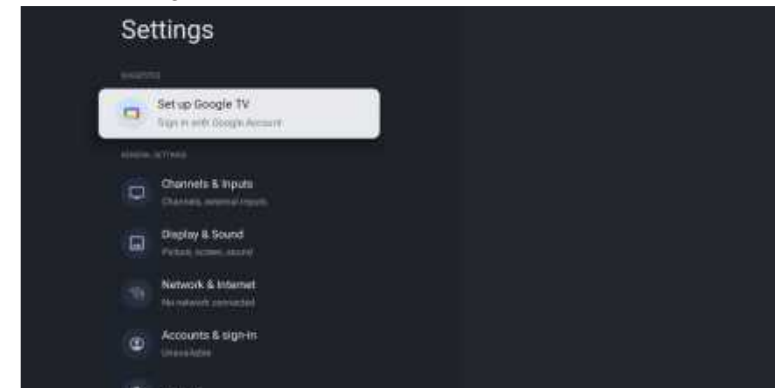


NAVIGATING THE ON-SCREEN MENU

1. In the HOME interface, press the ▶ key to select the icon of the circular settings menu, press OK to confirm.



2. Press ▲/▼ button to select what you want set.
3. Press OK to enter setting.



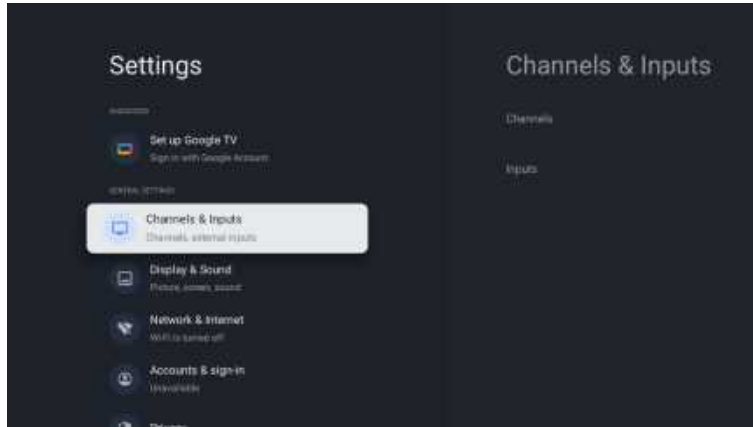
Dashboard

The Google TV dashboard provides a single location for users to access, settings, notifications, picture settings and more. To open the panel, please press DASHBOARD on your remote from the Google TV home screen.

1. Press **Home** to display the Home menu.
2. From the Google TV home screen, please press **Settings** to display the DASHBOARD.
3. Use **Up** **Down** **Left** **Right** to select the desired menu and an item, then press OK.

Channels & Inputs

To set Channels and Inputs



Add channels

To add for the first time or additional channels, please follow the steps below:

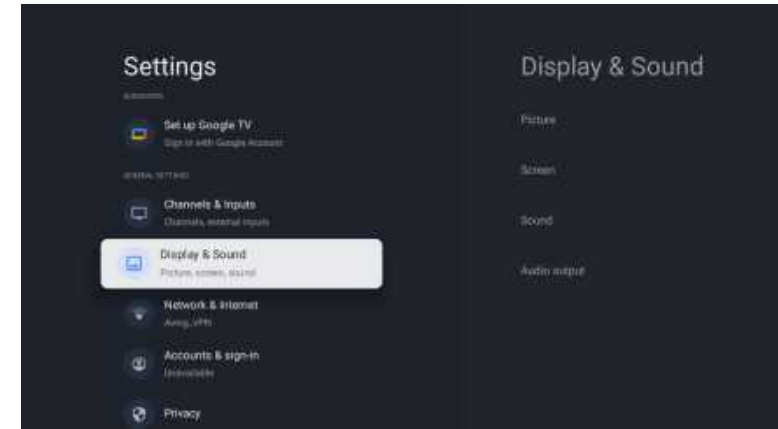
- 1 Go to Settings > Channels & Inputs > Channels
- 2 Select your signal type
- 3 Select Channel Scan to start channel installation.

Inputs

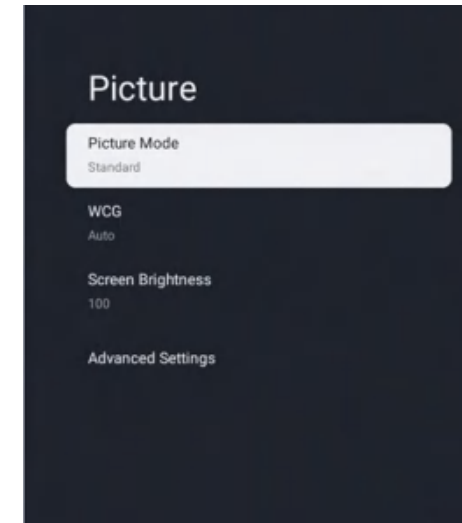
Consumer Electronic Control (CEC) - This allows you to operate the linked functions between our brand devices with CEC feature and this unit. We do not guarantee 100% interoperability with other brands of CEC compliant devices.

Display & Sound

To set Picture and Sound



Picture



Picture Mode

Standard: For normal TV viewing.

Movie: Deep picture settings for a cinematic experience.

ECO: Eco TV settings for low power consumption.

Vivid: Enhanced picture contrast and sharpness for viewing in a well-lit room.

Sports: Brilliant picture settings for high action.

Game: Optimized for PCs and game consoles.

Screen Brightness

Adjusts the LED brightness to affect the overall brilliant color.

Advanced Settings

For more detailed picture settings, go to Advanced Settings, where you find settings for Color Temperature, Noise Reduction And Picture Reset etc.



Sound Mode

The following sound settings can be configured. Depending on the format of the broadcasting, some sound settings are not available.

Standard: For normal TV viewing.

Movie: Powerful sound settings for a cinematic experience.

Music: Optimized for music playback.

News: Set the anchor's voice at a comfortable volume.

Personal: The customized settings you preferred.

Audio output

Output Device: TV Speaker/SPDIF/Optical/HDMI-ARC

Digital Output: Auto/Bypass/PCM/ Dolby Digital Plus/ Dolby Digital

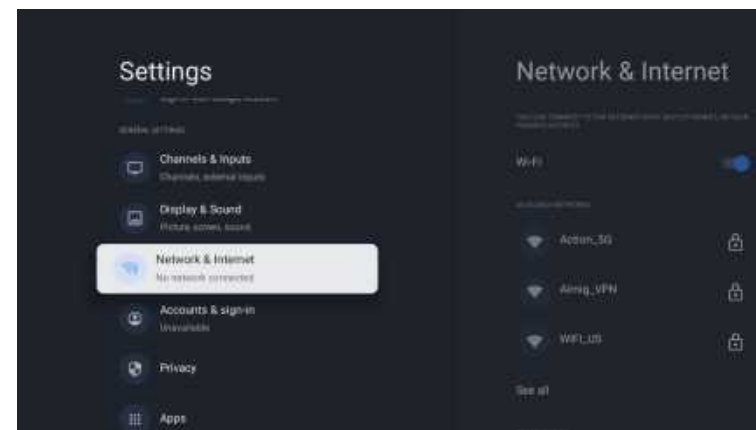
Digital Output Delay

The on-screen picture and the sound from an amplifier via the digital audio (SPDIF) output jack are synchronized by delaying the output from the connection.

The higher values will increase the digital audio (SPDIF) output delay.

Network & Internet

Setup network connection settings in order to use apps or network upgrade functions. To set Network & Internet.



Wi-Fi setting

1. Confirm that Wi-Fi is turned on and you're connected to the correct network.
2. If not, locate the network you'd like to connect to and select it to connect. Enter the password if required.
3. Open one of your apps.
4. Play your video, music, or game again.

Note(s)

If you still have issues, turn the Wi-Fi option off and on again.

Use your Mobile/Tablet hotspot

Automatically adjusts video quality to use less mobile data.

- Data Saver reduces your data usage on mobile connections, increasing watch time by up to 3x.
- Data usage and alerts help you monitor your data usage while watching TV.

Scanning always available

Let Google's location service and other apps scan for networks, even when Wi-Fi is off.

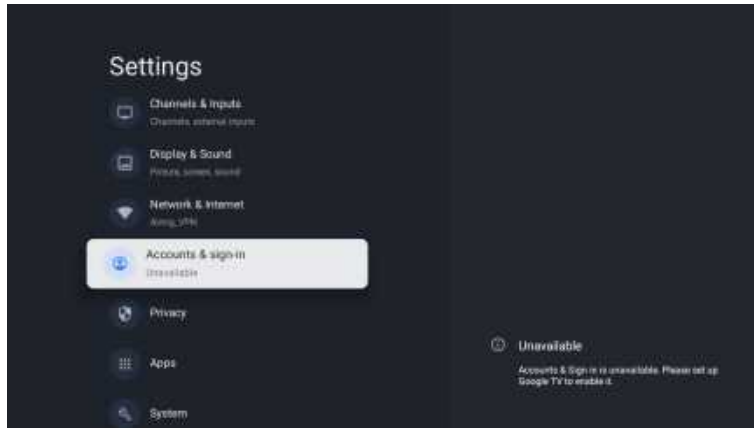
Ethernet

Proxy settings: Set Proxy manually.

IP settings: Configure the IP setting for your network connection.

Accounts & sign-in

You can manage to add or remove your Google account and kids profile account.



Google Account

Google TV profiles let everyone in your home enjoy their own personalized space with their Google Account. With a personalized profile, you'll get TV show and movie recommendations just for you, easy access to your personal watchlist and help from your Google Assistant.

Add Google account

You can add more than one account on your Google TV so you can sign in to services with multiple accounts. Your media and activity sync across devices that your Google Account is signed in to.

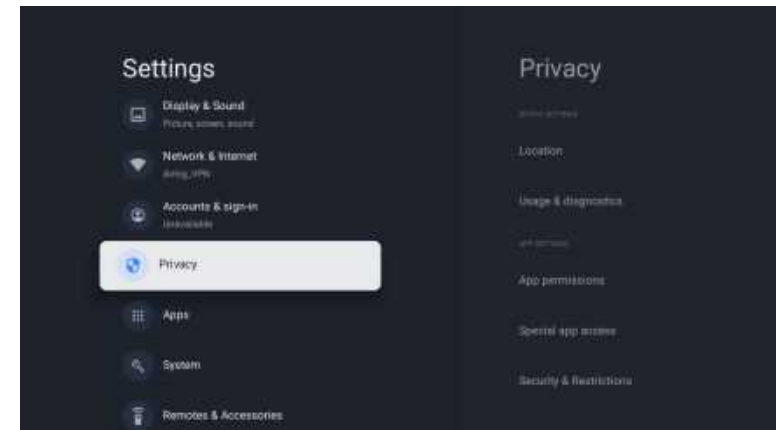
Add a Kid

Set up a kids profile on Google TV to choose which apps your kids can use, and to set up bedtime reminders and screen time limits.

* Kids profiles may not be available in some regions or on some devices.

Privacy

This section is privacy settings of your TV, Google account and applications.



Location

- Google may collect location data periodically and use this data in an anonymous way to improve location accuracy and location-based services.

Usage & diagnostics

- Automatically send diagnostic information to Google, like crash reports and usage data from your device, apps, and Chromecast built-in. you can adjust these permissions at any time from device settings. Learn more at g.co/tv/diagnostics.

Ads

- Manage your ads settings, such as resetting your advertising ID.

Google Assistant

You can ask questions and complete tasks on your Google TV with Google Assistant. Google Assistant comes installed on your Google TV device. You can turn it on when you first set up your device, or you can turn it on later.

Payment & Purchases

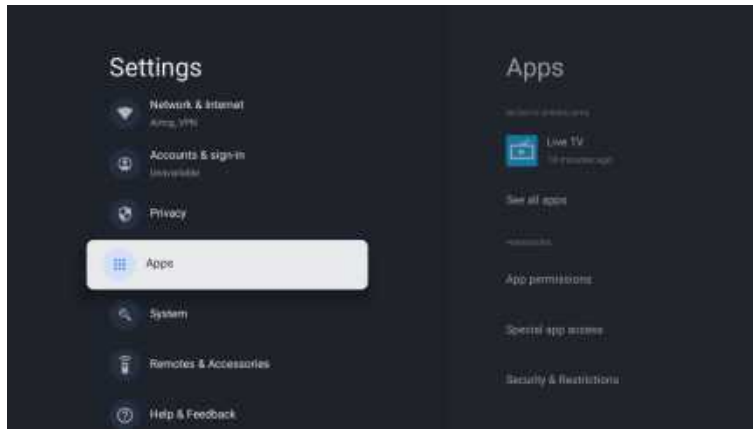
- Manage your account and purchases through the Play Store app on your mobile device, or by following these links in a Web browser:
 - Payment methods g.co/ManageWallet
 - Order history g.co/Play/Order
 - Subscriptions g.co/Play/Subscriptions

Security & Restrictions

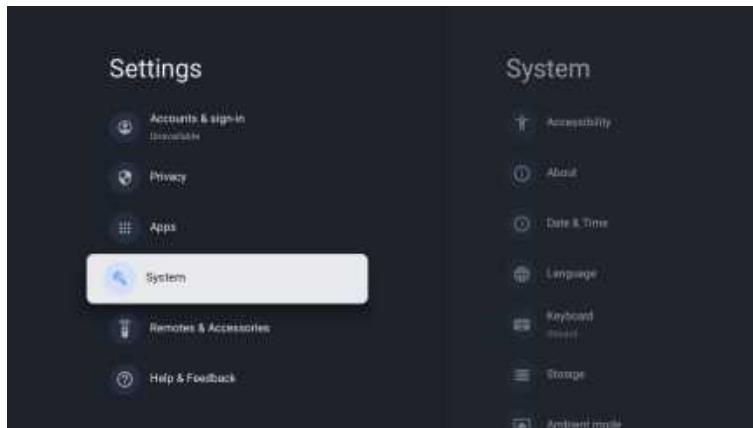
- Your device and personal data are more vulnerable to attack by apps from unknown sources. You agree that you are solely responsible for any damage to your device or loss of data that may result from using these apps.

Apps

This section is apps settings, such as checking details and permissions.



System



Accessibility

You can use a screen reader, closed captions, Switch Access, and more to make your Google TV device more accessible.

1. Press a (HOME) and use ▲▼◀▶ to select Settings then press OK.
2. Use ▲▼ to select System, then press OK.
3. Use ▲▼ to select Accessibility, then press OK.
4. Adjust the following items.

Turn on closed captions

Your caption preferences might not apply to certain apps.

1. From the Google TV home screen, in the top right, go to the user profile icon and select Settings.
2. Select System > Accessibility.
3. Select Captions.
4. Turn on Display to show captions. Then choose your options.

You can choose the size, font, color, background and other characteristics of the caption text.

Turn on high contrast text

1. From the Google TV home screen, in the top right, go to the user profile icon and select Settings.
2. Select System > Accessibility.
3. Turn on High contrast text (Experimental).

Text to speech

Text to speech output settings.

To set On/Off of this function, select and set TalkBack.

Use accessibility shortcuts

Accessibility shortcuts are a quick way to turn on accessibility features. To use accessibility shortcuts, you first need to turn them on.

To turn on accessibility shortcuts:

1. From the Google TV home screen, in the top right, go to the user profile icon and select Settings.
2. Select System > Accessibility.
3. Select Accessibility shortcut > Enable accessibility shortcut.
4. By default, the shortcut turns on TalkBack. To change what's included in the shortcut, choose Shortcut service.
5. Choose an option and select OK.

To use the shortcut: On your remote, press and hold the back arrow and down buttons at the same time for 3 seconds.

TalkBack

TalkBack is the Google screen reader included on Android devices. TalkBack gives you spoken feedback so that you can use your device without looking at the screen.

Change screen reader settings

1. From the Google TV home screen, scroll up to the top navigation bar.
2. Select Profile Settings > Dashboard > Settings.
3. Select System > Accessibility.
4. Under "Services," select TalkBack > Configuration.
5. Change settings for speech volume, verbosity (such as keyboard echo and usage hints), and spoken passwords.

Note(s)

To find more options and settings for TalkBack, such as speech rate and intonation, in the Accessibility menu, select Text to speech.

Use a screen reader

1. From the Google TV home screen, scroll up to the top navigation bar.
2. Select Profile Settings > Dashboard > Settings.
3. Select System > Accessibility.
4. Under "Services," select TalkBack > Enable > OK.

Turn on Switch Access

1. From the Google TV home screen, in the top right, go to the user profile icon and select Settings.
2. Select System > Accessibility.
3. Under "Services," select Switch Access > Enable > OK.

About

You can check system update and TV registration information.

Reset

This will restore your device to default settings and erase all data, accounts, files, and downloaded apps.

Date & Time

Automatic date & time

Use network-provided time or off

If it is set to off, please manually set the date and time.

Set time zone

Select your time zone

Use 24-hour format

Set the time to display in a 12 or 24-hour format

Language

You can set the language for the on-screen display.

1. Use ▲▼ to select Language, then press OK.
2. Use ▲▼ to select English (Canada), English (United States), Español or Français then press OK.

Keyboard

Perform the keyboard setting.

Storage

Internal shared storage

Removeable storage

Ambient mode (Digital Photo Frame)

Google TV lets you set your TV to scroll through Google Photos when you're not watching anything.

Power & Energy**Power on behavior**

Select the screen to start when powering on the TV.

Cast

Cast to Google TV

You can cast content from phones, tablets, or laptops to your Google TV.

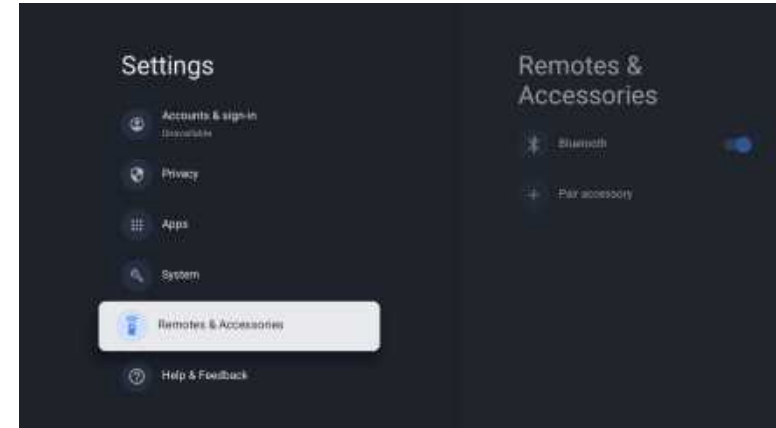
Restart

It just makes the TV turn off and again on. Your all settings will be kept. If you want to delete all settings of the TV, please do factory reset. Settings > System > About > Reset > Factory reset

* This will restore your device to default settings and erase all data, accounts, files, and downloaded apps.

Remotes & Accessories

You can connect several Bluetooth devices, like headphones or game controllers, to your Google TV. You can only connect one audio device at a time.

**Pair a Bluetooth device**

1. From the Google TV home screen, in the top right, go to the profile picture or initial and select Settings > Remote & Accessories > Pair accessory
2. Make sure your device is in pairing mode or is visible to other devices.
3. Identify the device you want to pair from the list and select it.
4. On the Bluetooth pairing request screen, select Pair.

Note(s)

Accessories that have been paired with your device appear in the Remote & Accessories section of Settings. You can also rename or forget devices.

Reconnect a paired device

1. From the Google TV home screen, in the top right, go to the profile icon and select Settings > Remote & Accessories
2. Under "ACCESSORIES" choose your device.
3. Select Connect.

Fix problems with connecting**Bluetooth devices**

If your Bluetooth device won't connect, it could be an issue with the Bluetooth device or your TV.

Troubleshoot connection issues

1. Turn off your Bluetooth device and then turn it back on. After your device is reset, try to pair it again.
2. If you have multiple devices paired with your TV, disconnect the ones you're not using.
3. Unplug your TV for 10 seconds and then plug it back in. When your TV is on, try to pair it again.
4. Check if your Bluetooth device connects to other devices, such as a phone or tablet.
 - A. If your device connects to other devices: Reset your Google TV device to factory settings.
 - B. If your device doesn't connect to other devices: Check that your Bluetooth device has up-to-date software or get help from the device's manufacturer.

Read Before Using Apps

(*Terms & Conditions Apply)

- Due to the product characteristics featured on the Apps store, as well as limitations in available content, certain featured applications, and services may not be available on all devices or in all territories. Some Apps featured may also require additional peripheral device or membership fees. Services and content availability are subject to change without prior notice.
- Manufacture takes no legal responsibility whatsoever for any interruption of App services caused by the service provider for any reason.
- An unstable Internet connection may cause delays or interruptions. In addition, applications may terminate automatically depending on the network environment.
- Applications services and updates may become unavailable.
- Application content is subject to change by the services provider without prior notice.
- Specific services may differ with the version of the application installed on the TV.
- An application's functionality may change in future version of the application.
- Depending on the third party service provider/s policies, certain applications may not support multitasking.
- The response to remote commands and the resulting on screen display may be delayed while a webpage is loading.
- The copy and paste operations are not supported.
- The web browsing speed will differs with the network environment.
- Depending on the types of video/audio codecs supported, it might not be possible to play certain video and audio files while playing content.
- Apps store have certain limitation, it consist many inbuilt apps for various needs of user but user doesn't have facility to add other apps from any other media.

Troubleshooting

If you have any problem, check the couter measures for each symptom listed below. The following symptoms may have been, caused by inaporopriate adjustment rather than actual malfunction of the unit. If the trouble pens sts, contact the Customer Care Centre, see back page for contact details.

Symptoms	Possible solutions
No power	Please check the power cord plugged in and that the power outlet works. Unplug the power cord and plug it in after 60 seconds and restart the TV.
No picture	Please check antenna connection. Station may be experiencing problems, please tune to another station. Please adjust the settings of contrast and brightness.
Good picture but no sound	Please increase the volume. Please check TV is under mute mode, press MUTE button on the remote control. Please check sound settings. If external devices are being used, check their volumes are not set too low or turned off. If using AVI or Component inputs, please make sure cables are connected properly and not loose. If using DVI to HDMI cable, a separate audio cable is required. Make sure a headphone jack >s not connected.
Good sound but abnormal color or no picture	Please check antenna connection and antenna condition. If using Component input, please check Component connections, incorrect or loose connections may cause colour problems or cause the screen to be blank.
No response to remote control	Batteries of remote control may have exhausted, if necessary, please change the batteries. Clean the remote control lens. The distance between LED TV and remote control should be within 8m, within recommended operating angle and path is free of obstructions.
Colored dots may be present on the screen	Although the LED screen is made with high-precision technology and 99.99% or mere of the pixels are effective, black dots may appear or bright points of light (red, blue, or green) may appear constantly on the LED screen. This is a structural property of the LED screen and not a malfunction.
Picture is breaking up	Keep the TV away from noisy electrical sources such as cars, hair dryers, welders, and all optional equioment. Electrical atmospheric interference such as local or distant ighting storms may cause picture to break up. When installing optional equipment, leave some space between the optional equipment and the TV. Check the antenna and connection. Keep the antenna away from any power or inpuVoutput cables.

Symptoms	Possible solutions
After Auto Tuning only some channels are available	Check your area is covered by Digital Video Broadcasts. Try re-tuning or manually tuning missing channels. Check that you are using the correct antenna type.
Channel cannot be selected	Check if the channel has been blocked in the main menu settings.
USB not playing	Please check connecting USB cable and power supply is connected. Hard drive has not been formatted. Please make sure USB disk is compatible and the multimedia data formats are supported. Only support FAT32 format for the USB disk.
Picture is distorted, macroblock, small block, dots, pixelization, etc	Compression of video contents may cause distortion especially on fast moving pictures such as sports and action movies.
Noise from speaker	Check cable connections, make sure a video cable is not connected to an audio input. Low signal level may cause sound distortion.
TV turns off automatically	Check if the Off Timer is set to On in the Setup menu. Sleep Timer may have been enabled. If there is no signal for about 10 minutes from an input, the TV will turn off.
TV turns on automatically	Check if the On Timer is set to On in the Setup menu.
Picture is not shown in full screen	Black bars on each side will be shown on HD channels when displaying SD (4:3) contents. Black bars on Top & Bottom will be shown on movies that have aspect ratios different from your TV. Adjust picture size option on your external device or TV to full screen.

WARNING

Never place a television set in an unstable location. A television set may fall, causing serious personal injury or death. Many injuries, particularly to children, can be avoided by taking simple precautions such as:

- Using cabinets or stands recommended by the manufacturer of the television set.
 - Only using furniture that can safely support the television set.
 - Ensuring the television set is not overhanging the edge of the supporting furniture.
 - Not placing the television set on tall furniture (for example, cupboards or bookcases) without anchoring both the furniture and the television set to a suitable support.
 - Not placing the television set on cloth or other materials that may be located between the television set and supporting furniture.
 - Educating children about the dangers of climbing on furniture to reach the television set or its controls
- If your existing television set is being retained and relocated, the same considerations as above should be applied.

The plug or appliance coupler is used as the disconnect device, the disconnect device shall remain readily operable.

FCC Warning

This device complies with part 15 of the FCC rules. Operation is subject to the following two conditions: (1) this device may not cause harmful interference, and (2) this device must accept any interference received, including interference that may cause undesired operation.

Changes or modifications not expressly approved by the party responsible for compliance could void the user's authority to operate the equipment.

NOTE: This equipment has been tested and found to comply with the limits for a Class B digital device, pursuant to part 15 of the FCC Rules. These limits are designed to provide reasonable protection against harmful interference in a residential installation. This equipment generates uses and can radiate radio frequency energy and, if not installed and used in accordance with the instructions, may cause harmful interference to radio communications. However, there is no guarantee that interference will not occur in a particular installation. If this equipment does cause harmful interference to radio or television reception, which can be determined by turning the equipment off and on, the user is encouraged to try to correct the interference by one or more of the following measures:

Reorient or relocate the receiving antenna.

Increase the separation between the equipment and receiver.

Connect the equipment into an outlet on a circuit different from that to which the receiver is connected.

Consult the dealer or an experienced radio/TV technician for help.

Radiation Exposure Statement

This equipment complies with FCC radiation exposure limits set forth for an uncontrolled environment. This equipment should be installed and operated with minimum distance 20cm between the radiator and your body.

Warranty

Thank you for purchasing this Sylvox product. We are glad to offer 12 months free warranty for you. If you have any questions, please contact us via our after-sales email or website for assistance.

Customer Service Support:

Pre-sale: support@sylvoxtv.com

After-sale: service@sylvoxtv.com

Marketing: marketing@sylvoxtv.com

Website: www.sylvoxtv.com

Service Hotline: +1(833)379-5869 (Monday-Friday,9:00AM-5:00PM EST)

Warranty Policy

(1) When returning an item, please note the following:

1. Only items purchased directly from www.sylvoxtv.com and authorized resellers can be returned, such as Amazon, Walmart, Newegg, Wayfair, Aliexpress, etc.
2. We will not accept any return requests for products purchased from unauthorized third-party suppliers.
3. Customer must contact the original vendor with your order ID or purchase proof and the detail of the product issue at service@sylvoxtv.com to request a return/refund/repair/replace before returning products. Sylvox will provide you with the shipping label in the mail.
4. Sylvox are responsible for all return shipping costs for quality problem.
5. If there is no reason to return the product after installation and use, Sylvox shall have the right to charge restocking fees of 20% of the product value. (Only accept applications for no reason return within 7 days after arrival, and freight costs are the responsibility of the customer)
6. Ensure that the item(s) you are returning is repackaged in the original condition with all the documentation and accessories that came with it.
7. If the returned product is not in original packaging: artificial damage causes to affect the second sale, such as its appearance being damaged, the lack of accessories, etc., we will deduct the corresponding expenses according to the situation.
8. We will handle your request once getting your returning item.

(2) How to return a product for a refund? (30 days money-back guarantee)

To return an item to Sylvox, Please contact the Sylvox team at service@sylvoxtv.com to submit an after-sales application, we will provide you with the shipping label in the mail. Please include your original order number or order proof in the email and ensure that the item is returned within 30 days. No refunds will be issued until the item is received in its original packaging (with its documentation and accessories).

(3) Refunds

Once we receive and verify the condition of your product, a refund is initiated. The way your refund is processed depends on your original payment method. For credit or debit cards, refunds will be back to the card-issuing bank within 7-10 business days of receipt of the returned item. Please contact the card-issuing bank with questions about when the credit will be posted to your account.

(4) What does the warranty not cover?

- (a) The wrong way of use and improper repair by the user caused the failure or damage.
- (b) Failure or damage caused by transportation, moving, and falling after purchase.
- (c) Other unavoidable external factors cause failure and damage.
- (d) Improper use of the equipment caused by water or other solution of damage.
- (e) Failure caused by a lightning strike or other electric system reasons
- (f) Damage caused by using power supply other than specified voltage.

Warranty Period:

- * Sylvox repairs the TV free of charge under the condition of the normal use of the instruction manual within 12 months.
- * Sylvox warrants that this product conforms to the manufacturer's specifications and will be free of defects in material and workmanship should any defect occur.
- * Sylvox will correct the defect subject to the following conditions:
 - (a) Any defects caused or repairs required as a result of the abusive operation, negligence, accident, shipment damages, improper delivery and installation, application, and use for which this product was not intended as set forth in the user's manual or other applicable Product documentation.
 - (b) Any defects caused or repairs required as a result of any product that has been tampered with, modified, adjusted, or repaired by any person other than Sylvox, a Sylvox authorized service provider or a Sylvox authorized service center or dealer.
 - (c) Any replacement of accessories, glassware, consumable or peripheral items required through normal use of the Product, including but not limited to, earphones, remote controls, batteries, etc.
 - (d) Any cosmetic damage to the Product surface or exterior, including but not limited to that which has been defaced or caused through normal wear and tear, improper shipping and handling, or the use of chemical cleaning agents.
 - (e) Any defects caused or repairs required as a result of damage caused by any external or environmental conditions, including but not limited to, the use of incorrect voltage, fluctuations or surges in transmission line/power line voltage, liquid spillage, or acts of nature or God.
 - (f) Warranty claims for Products returned with the altered, illegible, or missing model, factory serial number, and UL markings.
 - (g) Any Products used for rental, business, or commercial purposes.
 - (h) Any installation, consumer instruction, delivery, setup, adjustment, and/or programming charges.
 - (i) A Product that is not installed following installation instructions is included with the Product.
 - (j) Any signal reception problems (including antenna-related problems), images "burnt" into the screen, signal noise or echo, interference or other signal transmission or delivery problems, availability of third-party provided services or content (including, without limitation, image, audio or video content).

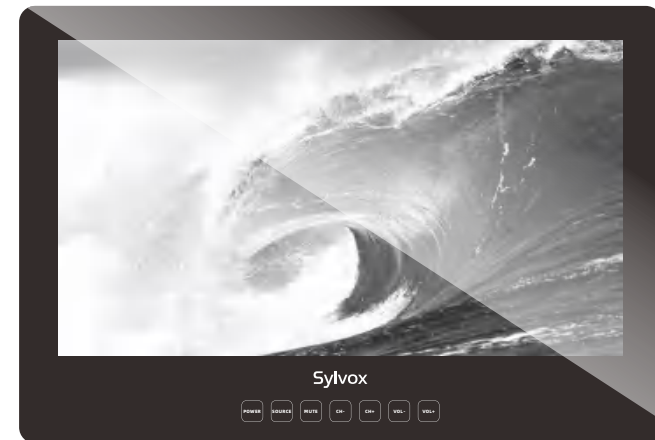
No other entity other than Sylvox is authorized to extend, enlarge or transfer this warranty on behalf of Sylvox.

The express warranties in this limited warranty are, in lieu of and, except to the extent prohibited by applicable law, Sylvox disclaims all other warranties and conditions, express or implied, whether arising by law, statute, by course of dealing, or usage of trade, including, without limitation, implied warranties or conditions of all claims, whether based in contract, negligence, strict liability or otherwise. Some states do not allow the exclusion or limitation of incidental or consequential damages, so the above limitation or exclusion may not apply to you.

For any questions, feel free to contact us via service@sylvoxtv.com at any time!

Sylvox

Téléviseur dans la salle de bain



Note : Trou d'installation réservé (détaillé à la page 46)

Note : Le produit et les illustrations de ce manuel d'utilisateur sont uniquement destinés à des fins d'explication et peuvent varier en fonction du modèle.

Information Générale

Veillez suivre les consignes de sécurité ci-dessous lors de l'installation et de l'utilisation de cet appareil afin d'éviter tout dommage.

Nettoyage du téléviseur	Trennen Sie das Fernsehgerät vor der Reinigung vom Stromnetz. Verwenden Sie nur ein weiches, feuchtes Tuch oder ein spezielles Reinigungsmittel für Flachbildschirme.
Écran LED	Zu viel Druck auf den Bildschirm kann das Fernsehgerät beschädigen.
Chaleur/vapeur/humidité	Das Fernsehgerät sollte keinen hohen Temperaturen (direkte Sonneneinstrahlung, Heizkörper, offenes Feuer) oder Feuchtigkeit ausgesetzt werden. Das Fernsehgerät sollte nicht in Räumen mit hoher Luftfeuchtigkeit verwendet werden.
Condensation	Wenn Sie das Fernsehgerät von einem kühlen Ort in einen mit höherer Temperatur bringen, sollten Sie es mindestens eine Stunde stehen lassen, bevor Sie es einstecken. Ein schneller Temperaturwechsel kann zur Bildung von Kondenswasser im Fernsehgerät selbst führen. Dies kann zu Schäden führen, wenn das Fernsehgerät verwendet wird.
Circulation d'air	Um eine Überhitzung des Fernsehgerätes zu vermeiden, sollten die Lüftungsschlitze auf der Rückseite immer frei sein.
Petits objets	Es ist darauf zu achten, dass keine kleinen Gegenstände oder Flüssigkeiten in das Fernsehgerät gelangen. Sie können Schäden oder sogar Brände verursachen.
Écrasement	Achten Sie darauf, Finger oder andere Gegenstände nicht zu quetschen, wenn Sie das Fernsehgerät in eine beliebige Richtung drehen.
Alimentation électrique	Verwenden Sie das Fernsehgerät nur mit der in den technischen Daten angegebenen Spannung. Stellen Sie sicher, dass der Stecker leicht zugänglich ist und das Fernsehgerät jederzeit vom Stromnetz getrennt werden kann. Trennen Sie das Fernsehgerät nicht vom Stromnetz, indem Sie am Netzkabel ziehen. Fassen Sie immer den Stecker an. Das Netzkabel darf nicht geknickt oder über scharfe Kanten gelegt werden.
Déplacement du téléviseur	Fassen Sie das Fernsehgerät beim Bewegen nur am Gehäuse an.
Réparations/Accessoires	Reparaturen und Wartungsarbeiten dürfen nur von autorisiertem und geschultem Personal durchgeführt werden.
Recyclage	Batterien sind gemäß Batterieverordnung nur in dafür vorgesehenen Behältern zu entsorgen.



Dans des conditions météorologiques extrêmes (telles que les tempêtes, la foudre, etc.) et de longues périodes d'inactivité (comme p. ex. les vacances), débranchez le téléviseur de la prise de courante. La fiche est utilisée pour déconnecter le téléviseur du réseau électrique et doit donc rester facilement accessible. Si le téléviseur n'est pas déconnecté du réseau électrique, il continuera à consommer de l'énergie dans toutes sortes de situations, même s'il est réglé en mode veille ou arrêt.

IMPORTANT - Veuillez lire attentivement ces instructions avant d'installer et de démarrer l'appareil. AVERTISSEMENT: ne permettez jamais à des personnes (y compris des enfants) ayant des capacités physiques, sensorielles ou mentales réduites ou un manque d'expérience et/ou de connaissances d'utiliser des appareils électriques sans supervision.

- Pour des raisons de ventilation, laissez au moins 5 cm d'espace libre autour du téléviseur.
- La ventilation ne doit pas être entravée en recouvrant ou en bloquant les ouvertures de ventilation avec des objets tels que des journaux, des nappes, des rideaux, etc.
- La fiche du câble d'alimentation doit être facilement accessible. Ne placez pas le téléviseur, les meubles, etc. sur le câble d'alimentation. Un câble d'alimentation/une fiche endommagé(e) peut provoquer un incendie ou même un choc électrique.
- Prenez le câble d'alimentation de la fiche, ne débranchez jamais le téléviseur en tirant sur le câble. Ne touchez jamais le câble d'alimentation/la fiche avec les mains mouillées, car cela pourrait provoquer un court-circuit ou un choc électrique.
- N'exposez pas le téléviseur à des gouttes ou à des éclaboussures de liquide et ne placez pas d'objets remplis de liquide tels que des vases, des tasses, etc. sur le téléviseur (comme p. ex. sur des étagères au-dessus de l'appareil).
- Ne placez jamais de flammes nues, telles que des bougies allumées, sur ou près du téléviseur.
- Ne placez aucune source de chaleur telle que p.ex. des chauffages électriques, des radiateurs, etc. près du téléviseur.
- Ne placez jamais le téléviseur sur le sol ou sur des surfaces inclinées.
- Gardez les sacs en plastique hors de la portée des nourrissons, des enfants et des animaux domestiques afin d'éviter le risque d'étouffement.
- Ne jetez pas les batteries au feu ou sur des matières dangereuses ou inflammables.
Avertissement: les batteries ne doivent pas être exposées à des sources de chaleur excessives telles que l'action directe de la lumière du soleil, du feu, etc.
- Consultez immédiatement un médecin si vous soupçonnez que les batteries ont été avalées ou placées à l'intérieur d'une partie du corps.

AVERTISSEMENTS CONCERNANT L'INSTALLATION MURALE

Veuillez lire attentivement les instructions avant d'installer le téléviseur.

N'installez jamais le téléviseur sur un mur incliné.

Utilisez des vis de montage mural spécifiées et d'autres accessoires.

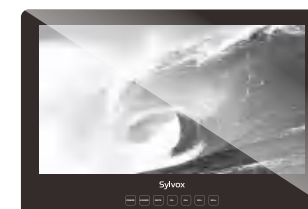
Serrez fermement les vis de montage pour empêcher le téléviseur de tomber.

Veuillez ne pas serrer les vis en excès.

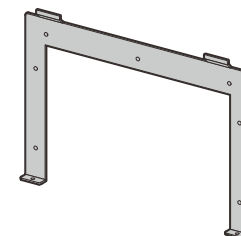
Un téléviseur peut tomber, causer des blessures graves ou même la mort. De nombreuses blessures, en particulier chez les enfants, peuvent être évitées en prenant des précautions simples telles que les éduquer sur les dangers liés à l'escalade de meubles pour atteindre le téléviseur ou atteindre ses commandes.

Accessoires

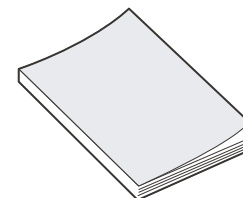
Veuillez vous assurer que les éléments suivants sont inclus avec votre téléviseur.
Veuillez nous contacter s'il manque des accessoires.



Téléviseur



Support mural



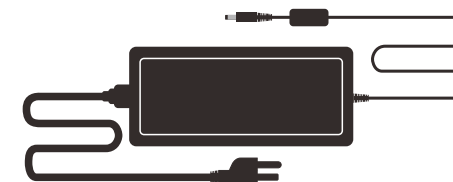
User's manual



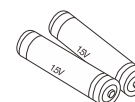
Warranty Card



Tournevis pour télécommande



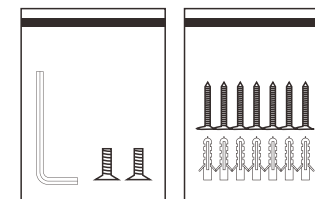
Adaptateur



Batteries (AAA x 2)



Socle de télécommande



Accessoires de fixation

Contenu

SPÉCIFICATIONS	41
VUE D'ENSEMBLE	42-43
SIGNAUX PRIS EN CHARGE	44
INSTALLATION	45-49
DESCRIPTION GÉNÉRALE	50
TÉLÉCOMMANDE	51
CONFIGURATION INITIALE	52-67
ÉCRAN D'ACCUEIL	56
SOURCE D'ENTRÉE	56-57
TABLEAU DE BORD	58
CHAÎNE ET ENTRÉES	58
AFFICHAGE ET SON	59-60
RÉSEAU ET INTERNET	61
COMPTES ET CONNEXION	62
CONFIDENTIALITÉ	63
APPLICATIONS	64
SYSTÈME	64-66
TÉLÉCOMMANDES ET ACCESSOIRES	67
LISEZ AVANT D'UTILISER LES APPS	68
RÉSOLUTION DE PROBLÈMES	69-71
POLITIQUE DE GARANTIE	72-73

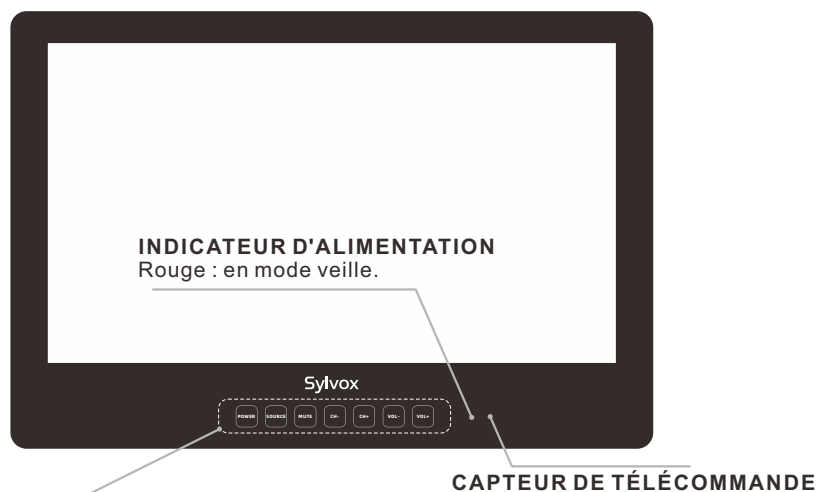
Spécifications

Modèle	BT24A1KGGB	BT32A1KGGB
Taille d'écran	24"	32"
Type d'écran	LED	
Adaptateur	DC 12V $\overline{\text{---}}$ 4A	DC 12V $\overline{\text{---}}$ 6A
Résolution maximale	1920 X 1080	
Consommation électrique (max.)	30W	58W
Sortie audio (max.)	2 x 5W	
Contrôle d'image	Contrôle numérique fin	
Type d'affichage	Affichage LED à matrice active couleur	
Système TV	NTSC System, ATSC System	
Gamme de fréquences	Antenne: 2 ~ 69; Câble: 1 - 135 (analogique: 1 - 125, Nombre: 1 ~ 135)	
Formats d'entrée vidéo	NTSC3.58	
Impédance d'entrée d'antenne	75 Ω (Déséquilibrée)	
Dimensions de l'appareil	23.50 x 16.00 x 1.65 inch	31.04 x 19.90 x 2.00 inch
Température de fonctionnement	0°C-40°C	

Note:

Design and specification modification maybe made at any time without prior notice, all data and dimensions are approximations.

Vue d'ensemble



POWER: Appuyez sur cette touche pour allumer ou éteindre le téléviseur.

SOURCE: Appuyez sur cette touche pour ouvrir la liste des sources d'entrée.

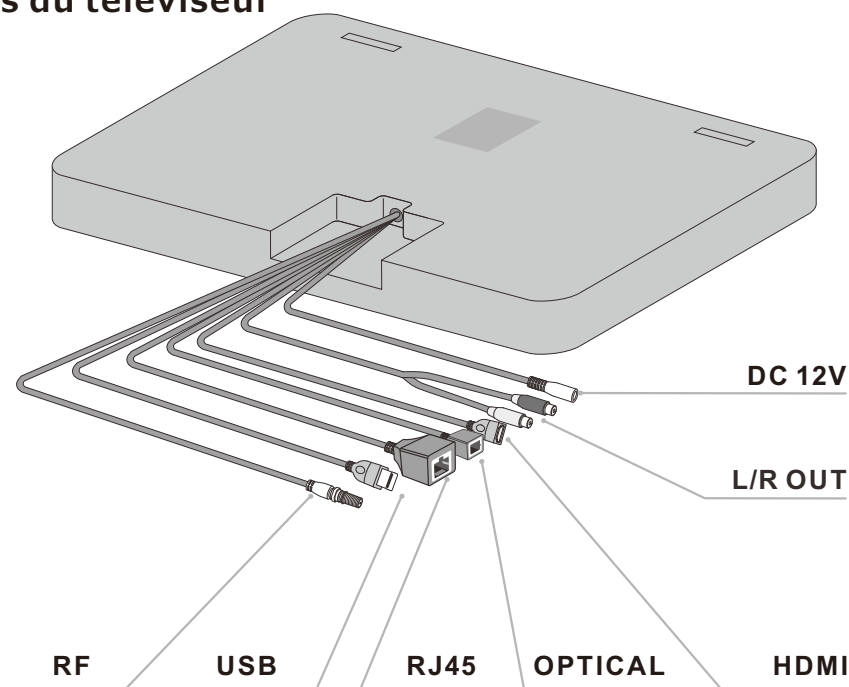
MUTE: Appuyez sur cette touche pour couper temporairement le son du téléviseur, appuyez à nouveau pour reprendre.

CH-/+: Appuyez sur cette touche pour changer de chaîne.
Dans le menu à l'écran, utilisez les touches CH +/- comme des touches fléchées vers le haut ou vers le bas.

VOL-/+: Appuyez sur cette touche pour augmenter ou diminuer le volume.
Dans le menu à l'écran, utilisez les touches VOL +/- comme des touches fléchées gauche/droite.

Vue d'ensemble

Dos du téléviseur



- 1. RF**
Connecté à une antenne externe pour recevoir le programme ATV/DTV en mode ATV/DTV.
- 2. USB**
Entrée USB.
- 3. RJ45**
Connexion Ethernet.
- 4. OPTICAL OUT**
Sortie audio numérique.
- 5. HDMI**
Connexion pour le signal HDMI.
- 6. L/R OUT**
Connexion aux prises de sortie audio de votre amplificateur/cinéma à domicile.
- 7. DC 12V**
Entrée DC.

Signaux pris en charge

MODE PRÉDÉFINI (HDMI)

	Résolution	Fréquence Verticale (Hz)	Fréquence Horizontale (kHz)
1	640x480	59.94	31.469
2	720x480	59.94	31.469
3	720x576p	50	31.25
4	800x600	60	37.9
5	1280x720p	60	45
6	1920x1080i	60	33.75
7	1920x1080p	60	67.5

Installation

Précautions à prendre lors de l'installation



Veillez installer l'hôte du téléviseur après l'installation du bus de l'unité. Toutefois, si le mur est difficile à traiter après l'installation, veuillez le traiter avant l'installation.

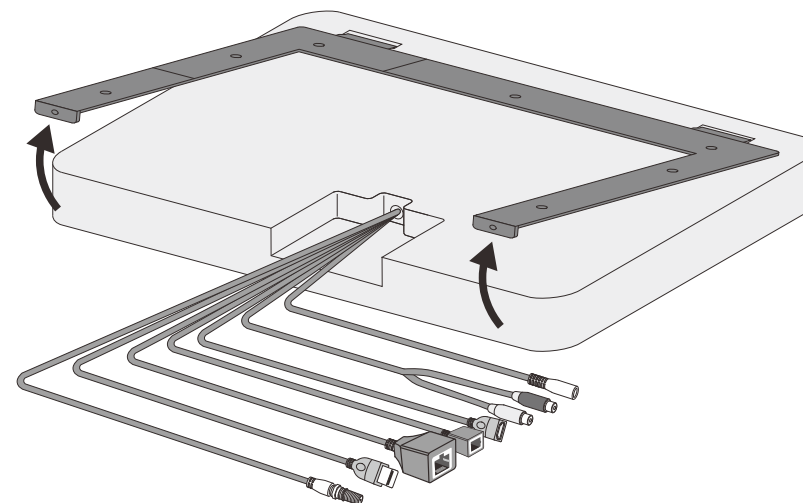
Veillez confirmer la position d'installation du corps principal du téléviseur, afin de ne pas interférer avec le câblage ou le robinet du contrôleur à distance pour l'alimentation en eau chaude.

S'il y a des nervures à l'arrière du mur, évitez-les et ajustez la position des trous de montage.

Lors de l'utilisation du support de montage, veillez à ne pas vous blesser par la face frontale.

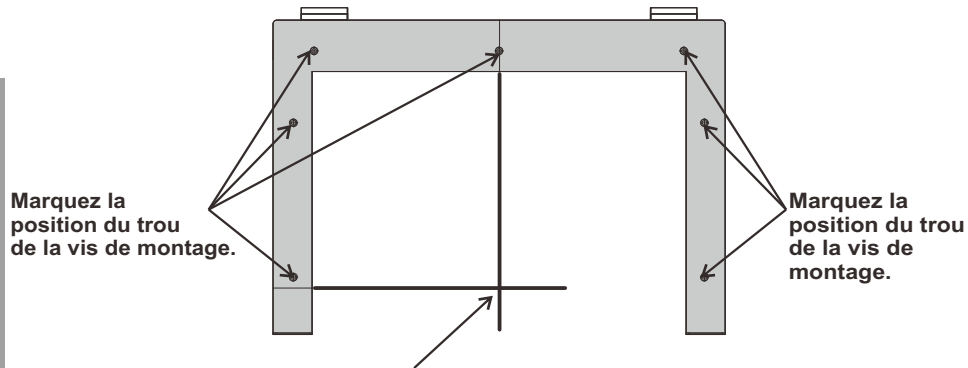
Éléments à prendre en compte lors du déballage

Le support de montage quitte l'usine en étant monté sur le corps principal du téléviseur. Lors du démontage, soulevez la partie inférieure, puis retirez la griffe supérieure.



Marquez les positions des trous de câblage et des trous de vis.

- Placez les accessoires d'installation dans la position d'installation prédéterminée du mur de la salle de bain.
 - ⌘. Veuillez faire attention à la différence de taille entre le support de montage et le corps principal du téléviseur. Le corps principal du téléviseur est plus grand que les accessoires de montage, 40 mm à gauche et à droite.
 - ⌘. Veuillez vous assurer que le mur à l'endroit prévu pour l'installation est plat.
- Dessinez un réticule sur le mur de la salle de bains en suivant les lignes gravées sur le support de montage.
- Marquez la position du trou de montage 7 du support de montage.



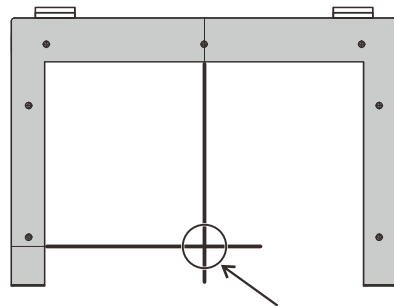
Tracez un réticule en suivant la ligne de référence.



Lorsque vous collez le support de montage, veuillez vous assurer qu'il est horizontal.

Percez les trous de câblage dans le mur de la salle de bain

En prenant pour centre le point d'intersection du réticule dessiné sur le mur de la salle de bains à l'étape 1, percez $\Phi 30 \text{ mm} \sim \Phi 60 \text{ mm}$.

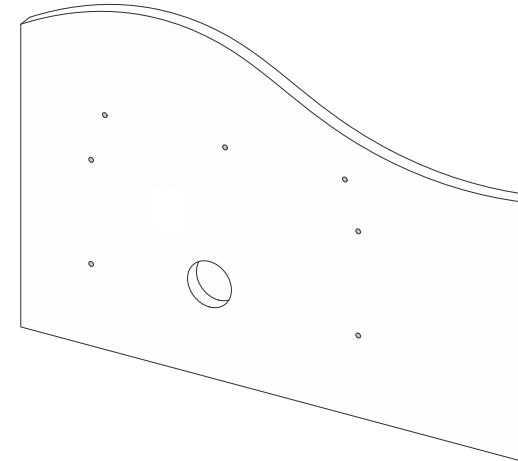


Trou de câblage $\Phi 30 \sim 60 \text{ mm}$

Installation du support

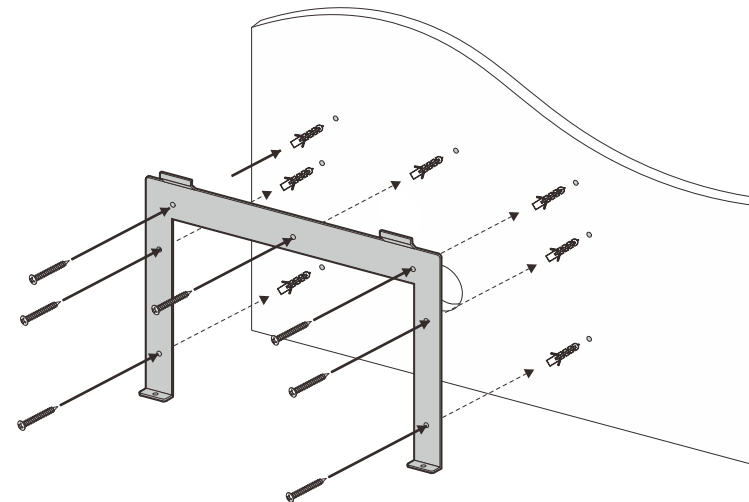
Faites un trou inférieur à l'endroit où la vis est enfoncée.

Pour l'installation des pièces métalliques, utilisez des vis ou des fixateurs en fonction du matériau, de l'épaisseur et de l'état du mur de la salle de bains. Percez des trous aux endroits marqués à l'étape 1. Lorsque vous utilisez les vis jointes, faites un trou prépercé de $\varphi \Phi 3.0 \text{ mm}$



Faites un trou inférieur à l'endroit où la vis est enfoncée.

Enfoncez la douille fileté actuelle dans le trou et fixez-la à l'aide du support de montage à vis.



Veillez vous assurer que les vis n'endommagent pas les tuyaux dans le mur.

Cavalier de câble

Faites sortir le câble du trou de câblage.

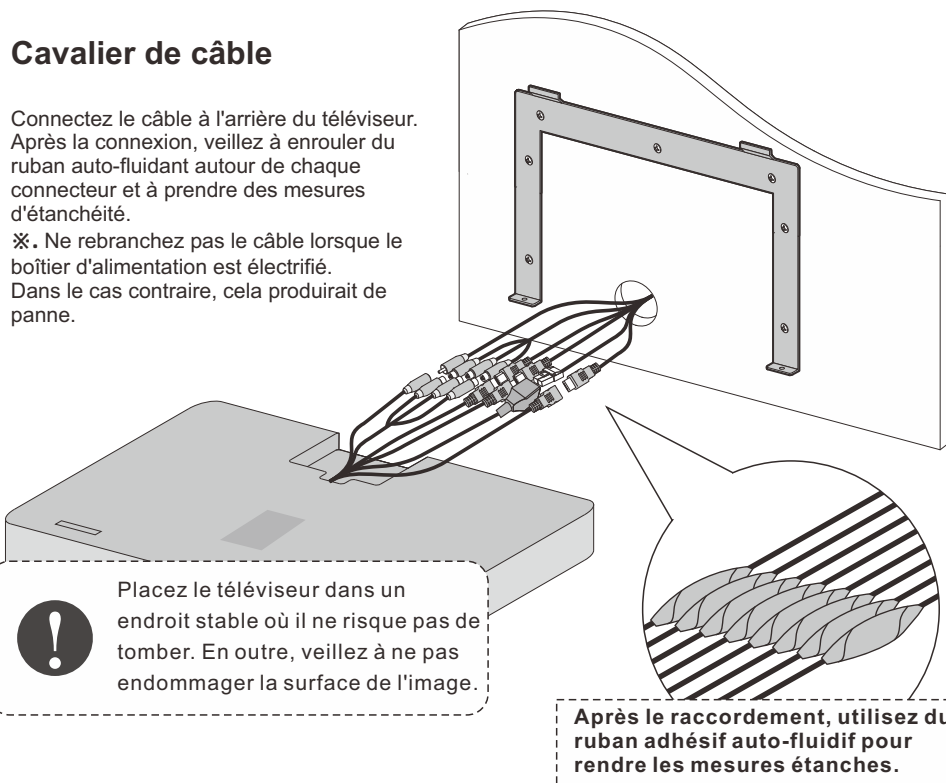
Le câble est sorti du trou de câblage sur environ 200~300mm.

※. Ne tirez pas fortement sur le câble. Sinon, il se déconnectera.

Cavalier de câble

Connectez le câble à l'arrière du téléviseur. Après la connexion, veillez à enrouler du ruban auto-fluidant autour de chaque connecteur et à prendre des mesures d'étanchéité.

※. Ne rebranchez pas le câble lorsque le boîtier d'alimentation est électrifié. Dans le cas contraire, cela produirait de panne.



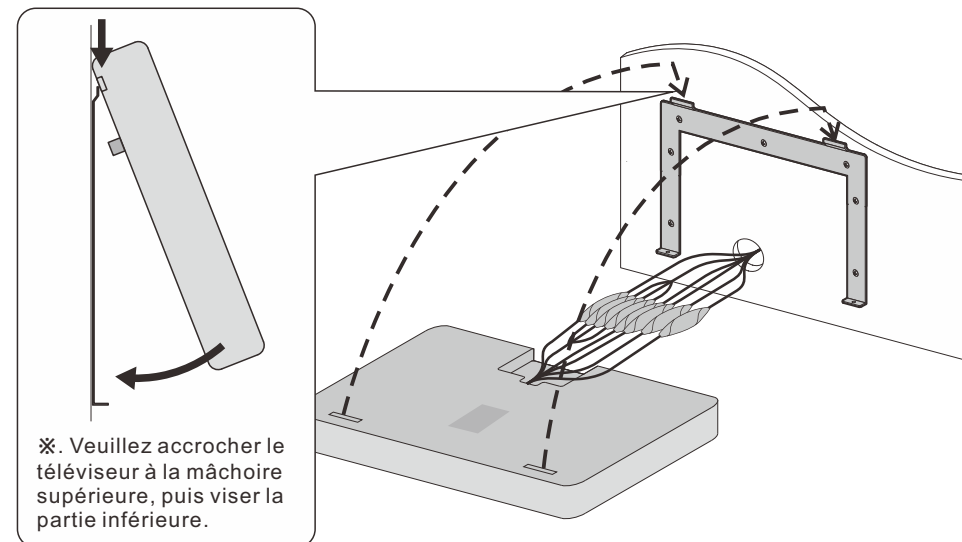
Placez le téléviseur dans un endroit stable où il ne risque pas de tomber. En outre, veillez à ne pas endommager la surface de l'image.

Après le raccordement, utilisez du ruban adhésif auto-fluidif pour rendre les mesures étanches.

Installer temporairement le boîtier principal du téléviseur Effectuer le réglage initial et confirmer l'action.

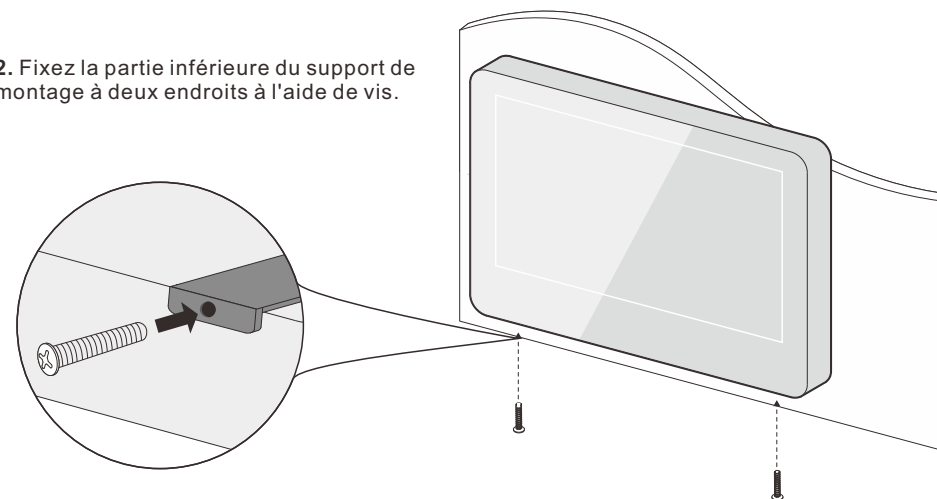
Installez le téléviseur sur le support d'installation.

1. Alignez la fente du boîtier principal du téléviseur sur les deux griffes de la partie supérieure du support de montage pour l'installation.



※. Veuillez accrocher le téléviseur à la mâchoire supérieure, puis viser la partie inférieure.

2. Fixez la partie inférieure du support de montage à deux endroits à l'aide de vis.

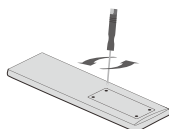


Description générale

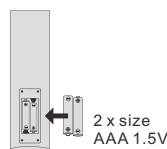
Retirez le couvercle des piles et insérez les piles fournies. Remettez ensuite le couvercle en place.

Mise en place des piles

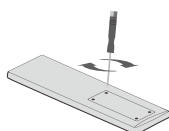
1 Utilisez le tournevis accessoire pour retirer les quatre vis du couvercle de la pile de la télécommande et ouvrez le couvercle de la pile.



2 Insérez deux piles AAA de 1,5 V en respectant la polarité. Ne mélangez pas des piles anciennes ou usagées avec des piles neuves.



3 Bloquez les quatre vis du couvercle du boîtier de piles de la télécommande à l'aide d'un tournevis. Conservez le tournevis.



↑ Dirigez la télécommande vers le capteur du téléviseur sans fil et utilisez-la dans une plage de 7 mètres.

↑ Placez les batteries usagées dans un conteneur de recyclage, car elles peuvent endommager l'environnement.

NOTES:

- Dans des conditions d'utilisation normales, une charge doit durer au moins un an.
- Si vous n'avez pas l'intention d'utiliser la télécommande pendant une longue période, retirez les batteries pour éviter les dommages dus aux fuites.
- Les batteries (bloc-batterie ou batteries installées) ne doivent pas être exposées à une chaleur excessive comme p. ex. l'action directe de la lumière du soleil, du feu ou de sources de chaleur similaires.

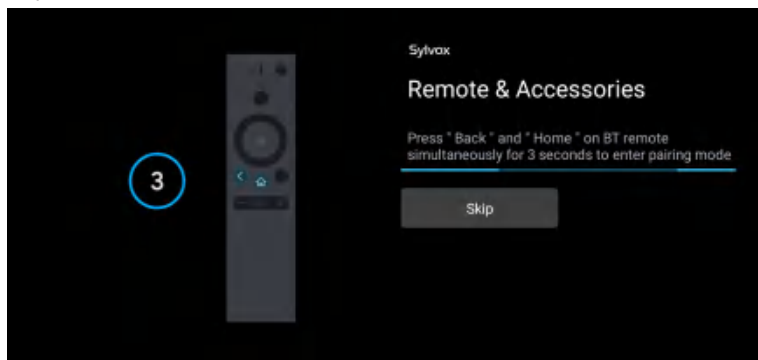
Télécommande



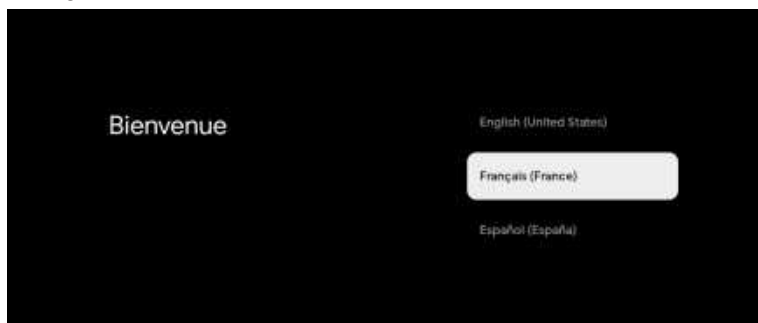
- POWER:** Permet d'allumer et d'éteindre le téléviseur.
- MUTE:** Appuyez sur cette touche pour couper temporairement le son du téléviseur, appuyez à nouveau pour reprendre.
- Digital Buttons(0-9, -):** Permettent de sélectionner directement une chaîne à l'aide des touches numériques.
- INPUT:** Appuyez sur cette touche pour ouvrir la liste des sources d'entrée.
- NETFLIX:** Si le réseau est connecté, appuyez sur cette touche pour voir NETFLIX directement.
- YouTube:** Si le réseau est connecté, appuyez sur cette touche pour afficher YouTube.
- Disney+:** Si le réseau est connecté, appuyez sur cette touche pour afficher Disney+.
- Prime Video:** Si le réseau est connecté, appuyez sur cette touche pour afficher Prime Video.
- Profile:** Permet de changer de profil.
- Google Assistant:** Ouvrir l'assistant Google.
- Settings:** Accès aux réglages (directement ou via le tableau de bord dans GTV) depuis n'importe quel endroit du système.
- Arrow buttons▲▼▶◀:** Permettent de sélectionner les éléments du menu à l'écran et de modifier les valeurs du menu.
- OK:** Confirme la sélection.
- BACK:** Retourne au menu précédent.
- Guide:** Ouvre l'EPG de la télévision en direct.
- HOME:** Affiche la page HOME.
- VOL+/-:** Appuyez sur ces boutons pour régler le volume.
- CH/V:** Appuyez sur ces touches pour changer de chaîne vers le haut ou vers le bas.
- INFO:** Appuyez sur cette touche pour afficher les informations sur la chaîne.
- Red dot button:** En mode télévision numérique, appuyez sur la touche pour enregistrer le programme télévisé.
- APPS:** Appuyez sur cette touche pour afficher la liste des chaînes.
- LIST:** Appuyez sur cette touche pour afficher la liste des chaînes.
- CC:** Affiche le menu de la fonction CC en mode TV/AV.
- Button:** Appuyez sur cette touche pour ouvrir le clavier virtuel dans la source DTV.
- MTS/AUDIO:** En mode USB, appuyez sur cette touche pour changer de piste audio lorsque la vidéo est en cours de lecture. En mode TV, appuyez sur cette touche pour changer de MTS ou de langue audio.
- DIGITAL MEDIA PLAYER CONTROL BUTTON:** Inclure le retour en arrière, l'avance, la lecture/pause, l'arrêt en mode USB.
- COLOR BUTTONS:** Ils sont utilisés dans les APPS.

Configuration initiale

1. Connectez le téléviseur à l'alimentation électrique et le témoin lumineux s'allumera en rouge après la mise sous tension. Appuyez sur la touche (alimentation) de la télécommande ou du téléviseur pour allumer le téléviseur.
2. Vous devez d'abord coupler la télécommande avec le téléviseur. Une fois que le code est réussi, vous pouvez utiliser la télécommande Bluetooth du téléviseur.



3. Appuyez sur ▲/▼ pour sélectionner la langue du système et appuyez sur OK pour confirmer la langue.



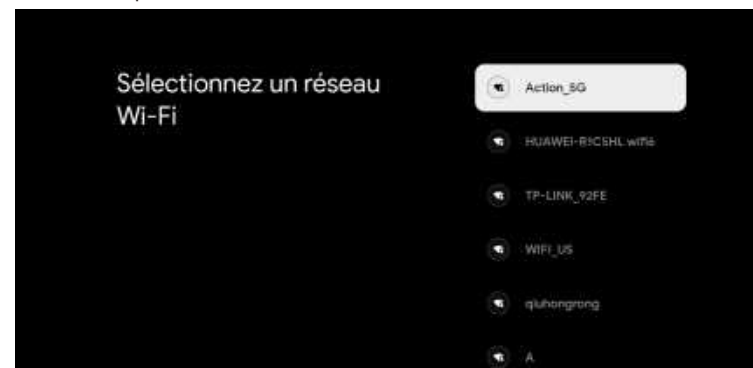
4. Appuyez sur ▲/▼ pour configurer téléviseur Google qui doit se connecter au compte Google pour le service Google, ou TV de base qui n'a pas besoin de se connecter au compte Google



5. Scannez le code de configuration pour télécharger l'application Google home sur votre téléphone pour la configurer ou appuyez sur ▲/▼ pour la configurer sur le téléviseur.



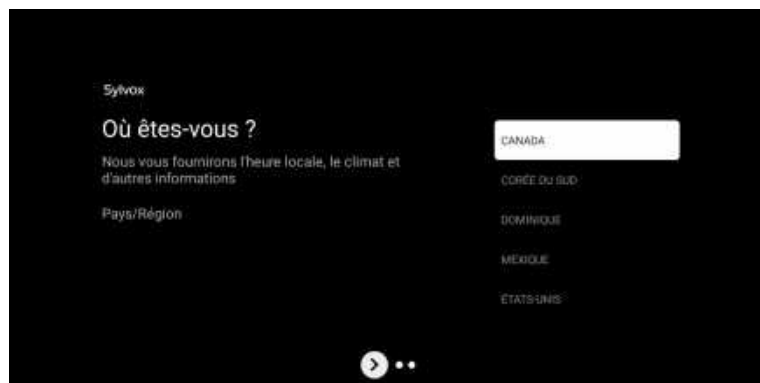
6. Appuyez sur ▲/▼ pour sélectionner le wifi à connecter, appuyez sur OK et entrez le mot de passe pour confirmer que la connexion est réussie.



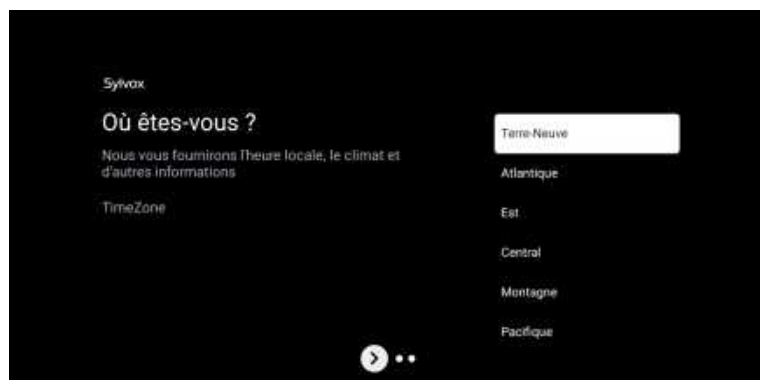
7. En acceptant les conditions d'utilisation de Google pour améliorer l'expérience du produit, sélectionnez "Accept" pour accepter cette condition.



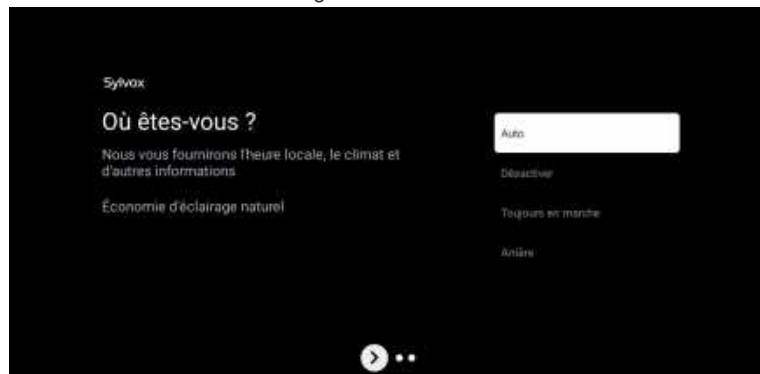
8. Définissez votre emplacement.



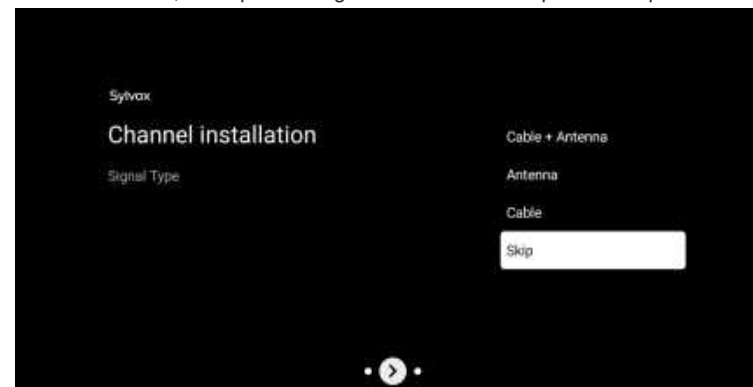
9. Définissez votre Time Zone.



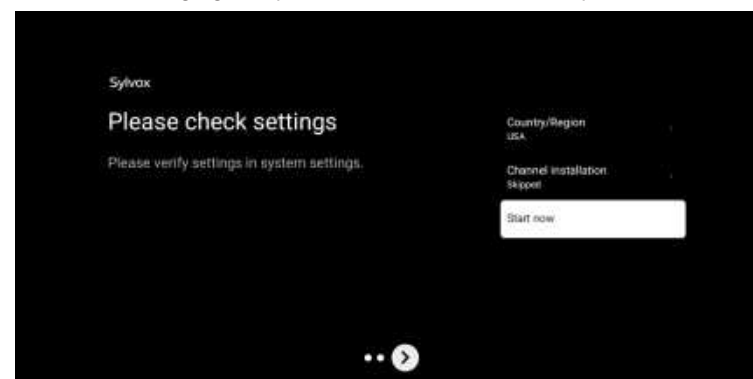
10. Définissez votre Économie d'éclairage naturel.



11. Réglez le mode Tuner, vous pouvez également choisir de passer en premier.



12. Veuillez vérifier vos réglages, Après avoir confirmé OK, vous pouvez l'utiliser.



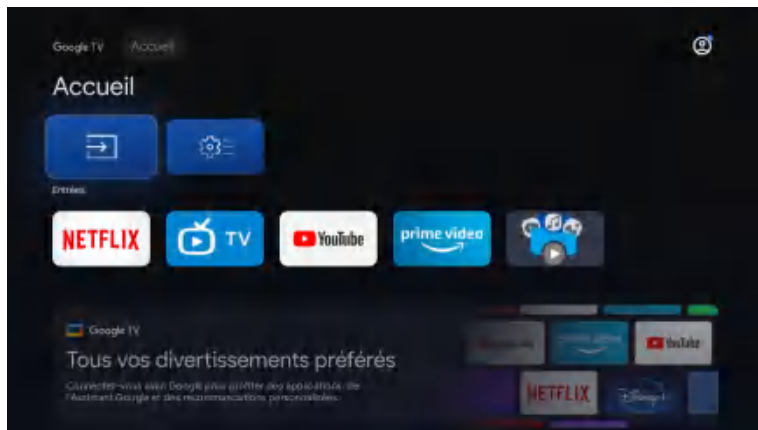
※ Le contenu affiché dans l'image dépend de votre région.

ÉCRAN D'ACCUEIL

Une fois la configuration de l'assistant terminée, vous pouvez afficher le contenu et accéder à l'écran d'accueil.

①

②



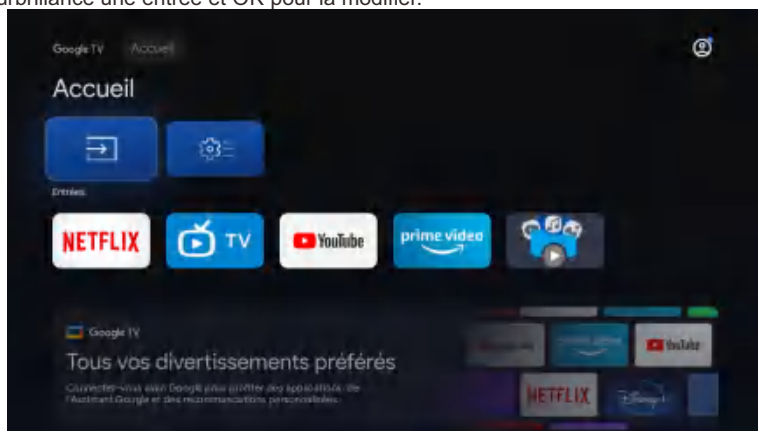
1. Ouvrez l'Assistant Google ou lancez une recherche textuelle.
2. Parmi les applications installées sur votre téléviseur, des icônes avec vos applications préférées seront affichées (les applications peuvent être ajoutées, supprimées ou modifiées dans l'ordre souhaité).

■ Entrées : il sert à sélectionner une source d'entrée.

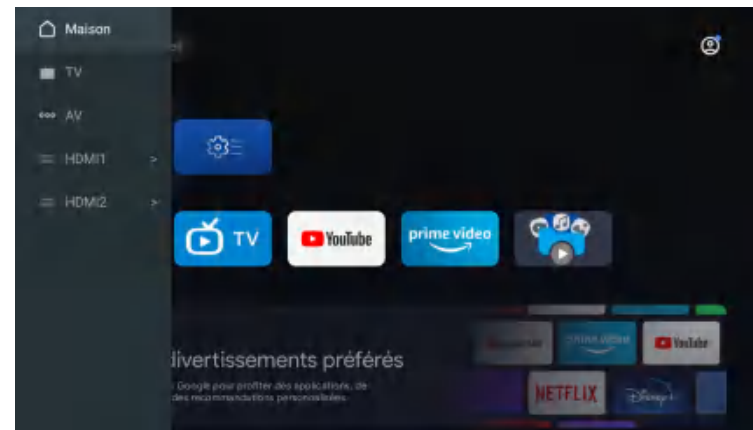
⚙️ Configuration: ici vous pouvez faire différents ajustements. Pour obtenir plus d'informations sur la configuration, consultez l'explication suivante.

SOURCE D'ENTRÉE

Dans l'interface HOME, appuyez sur ▲/▼/◀/▶ pour sélectionner l'icône « Entrées ». Appuyez ensuite sur OK pour ouvrir la liste des sources d'entrée, puis appuyez sur le bouton supérieur pour mettre en surbrillance une entrée et OK pour la modifier.

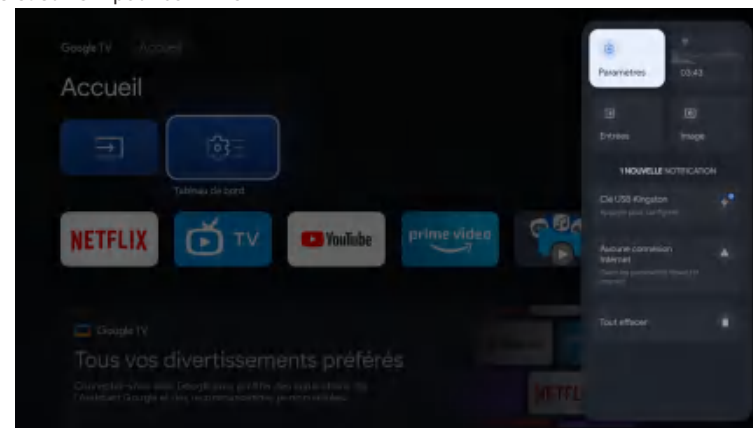


Dans Live TV, appuyez sur le bouton SOURCE pour afficher la liste des sources d'entrée. Ici, vous pouvez sélectionner la source souhaitée.



NAVIGATION DANS LE MENU À L'ÉCRAN

1. Sur l'interface HOME, appuyez sur le bouton ► pour sélectionner l'icône du menu des paramètres circulaires et sur OK pour confirmer.



2. Appuyez sur le bouton ▲/▼ pour sélectionner ce que vous souhaitez définir.
3. Appuyez sur OK pour entrer les paramètres.

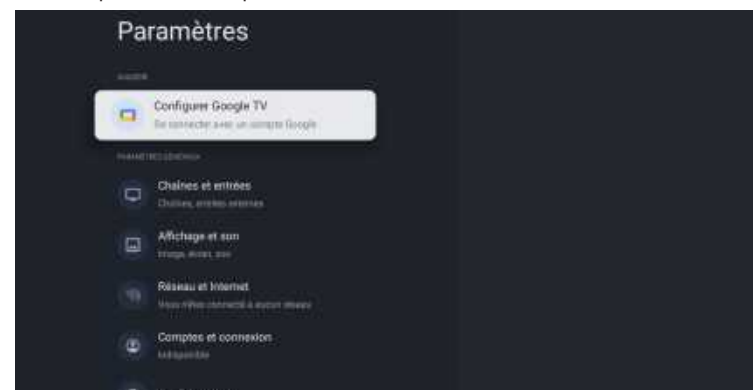


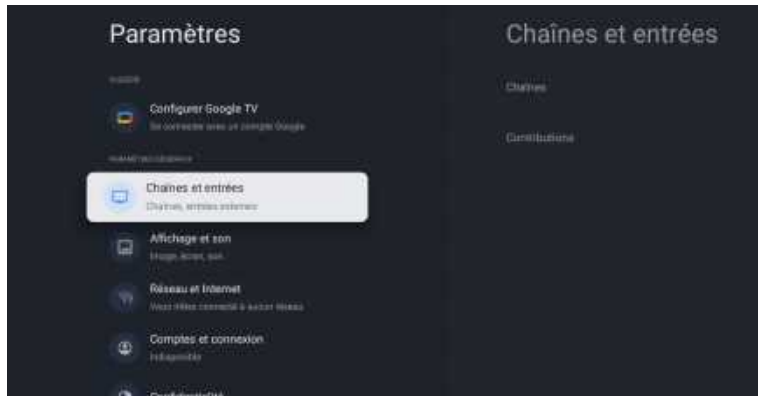
Tableau de bord

Le tableau de bord du téléviseur Google permet aux utilisateurs d'accéder, à partir d'un seul endroit, aux réglages, aux notifications, aux réglages d'image et à bien d'autres choses encore. Pour ouvrir le tableau de bord, appuyez sur DASHBOARD sur votre télécommande à partir de l'écran d'accueil du téléviseur Google.

1. Appuyez **🏠** sur pour afficher le menu Accueil.
2. Depuis l'écran d'accueil du téléviseur Google, appuyez sur **⚙️** pour afficher le Tableau de bord.
3. Utilisez **▲ ▼ ◀ ▶** to sélectionner le menu souhaité et un élément, puis appuyez sur OK.

Chaîne et entrées

Pour régler les chaînes et les entrées



Ajouter des chaînes

Pour ajouter pour la première fois ou des chaînes supplémentaires, veuillez suivre les étapes ci-dessous:

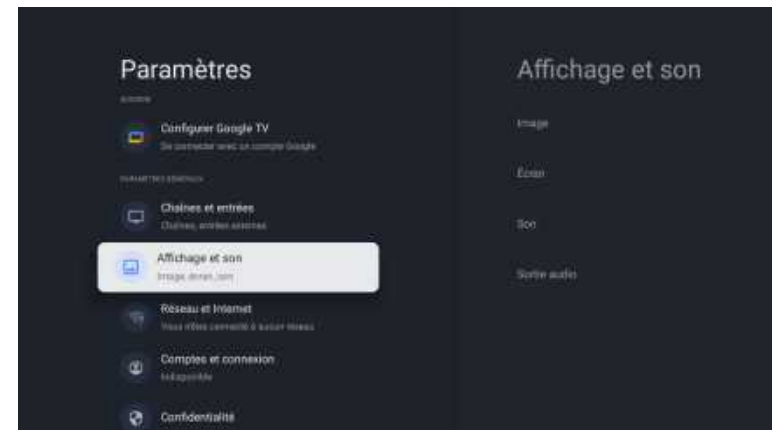
1. Aller dans Réglages > Chaînes et entrées > Chaînes
2. Sélectionnez votre type de signal
3. Sélectionnez Recherche de chaînes pour lancer l'installation des chaînes.

Entrées

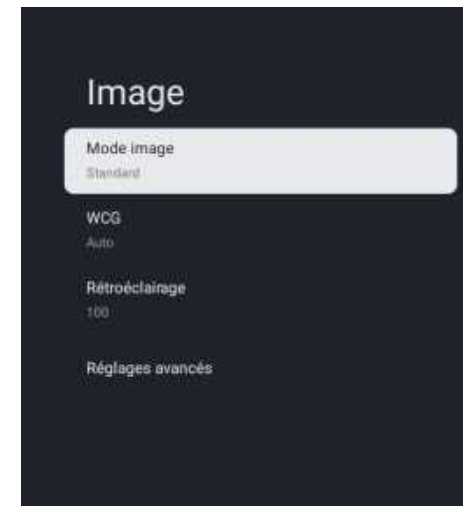
Contrôle électronique des consommateurs (CEC) - Ceci vous permet d'utiliser les fonctions liées entre les appareils de notre marque dotés de la fonction CEC et cet appareil. Nous ne garantissons pas une interopérabilité à 100 % avec d'autres marques d'appareils compatibles CEC.

Affichage et son

Pour régler l'image et le son



Image



Mode d'image

Standard: Pour un visionnage normal de la télévision.

Movie: Réglages d'image profonde pour une expérience cinématographique.

ECO: Réglage Eco TV pour une faible consommation d'énergie.

Vivid: Contraste et netteté de l'image améliorés pour un visionnage dans une pièce bien éclairée.

Sports: Paramètres d'image brillante pour une action intense.

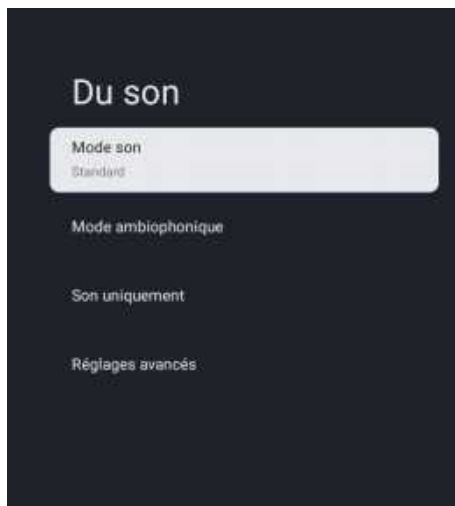
Game: Optimisé pour les PC et les consoles de jeux.

Luminosité de l'écran

Règle la luminosité des LED pour affecter la brillance générale des couleurs.

Réglages avancés

Pour des réglages d'image plus détaillés, allez dans Réglages avancés, où vous trouverez des réglages pour la température de couleur, la réduction du bruit et la réinitialisation de l'image, etc.



Mode Son

Les réglages sonores suivants peuvent être configurés. Selon le format de la diffusion, certains réglages sonores ne sont pas disponibles.

Standard: Pour un visionnage normal de la télévision.

Film: Réglages sonores puissants pour une expérience cinématographique.

Musique: Optimisé pour la lecture de musique.

Actualités: Réglage de la voix du présentateur à un volume confortable.

Personnel: Les réglages personnalisés que vous préférez.

Sortie audio

Dispositif de sortie: TV Speaker/SPDIF/Optical/HDMI-ARC

Sortie numérique: Auto/Bypass/PCM/ Dolby Digital Plus/ Dolby Digital

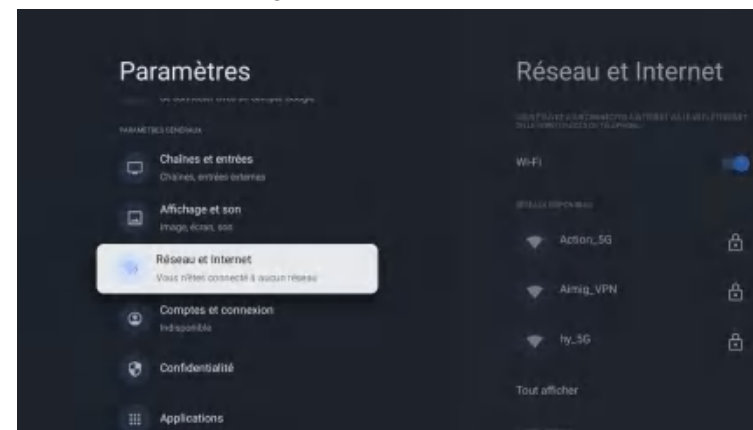
Retard de sortie numérique

L'image à l'écran et le son provenant d'un amplificateur via la prise de sortie audio numérique (SPDIF) sont synchronisés en retardant la sortie de la connexion.

Plus les valeurs sont élevées, plus le retard de sortie de l'audio numérique (SPDIF) est important.

Réseau et Internet

Définir les réglages de connexion au réseau afin d'utiliser les applications ou les fonctions de mise à niveau du réseau. Pour configurer Réseau et Internet.



Réglage Wi-Fi

1. Vérifiez si le Wi-Fi est activé et si vous êtes connecté au bon réseau.
2. Si ce n'est pas le cas, localisez le réseau auquel vous souhaitez vous connecter et sélectionnez-le pour vous connecter. Saisissez le mot de passe si nécessaire.
3. Ouvrez l'une de vos applications.
4. Diffusez à nouveau votre vidéo, votre musique ou votre jeu.

Note(s)

Si le problème persiste, désactivez et réactivez l'option Wi-Fi.

Utiliser le hotspot de votre mobile/tablette

Ajuste automatiquement la qualité vidéo pour utiliser moins de données mobiles.

- L'économiseur de données réduit l'utilisation des données sur les connexions mobiles, ce qui multiplie par trois la durée de visionnage.
- L'utilisation des données et les alertes vous aident à surveiller votre consommation de données lorsque vous regardez la télévision.

Balayage toujours disponible

Laissez le service de localisation de Google et d'autres applications rechercher des réseaux, même lorsque le Wi-Fi est désactivé

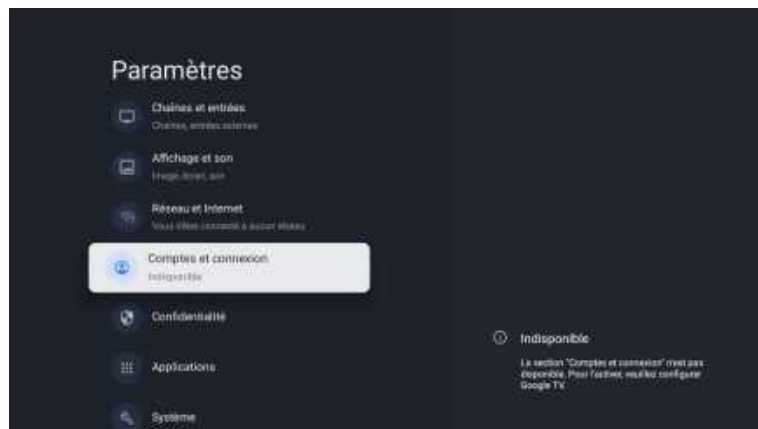
Ethernet

Réglages Proxy: Définissez le proxy manuellement.

Réglages IP: Configurez les réglages IP de votre connexion réseau.

Comptes et connexion

Vous pouvez gérer l'ajout ou la suppression de votre compte Google et de votre compte de profil d'enfant.



Compte Google

Les profils téléviseur Google permettent à chaque membre de votre foyer de bénéficier d'un espace personnalisé avec son compte Google. Avec un profil personnalisé, vous bénéficiez de recommandations d'émissions de télévision et de films spécialement conçues pour vous, d'un accès facile à votre liste de visionnage personnelle et de l'aide de votre assistant Google.

Ajouter un compte Google

Vous pouvez ajouter plusieurs comptes sur votre téléviseur Google afin de pouvoir vous connecter à des services avec plusieurs comptes. Vos médias et vos activités sont synchronisés sur tous les appareils auxquels votre compte Google est connecté.

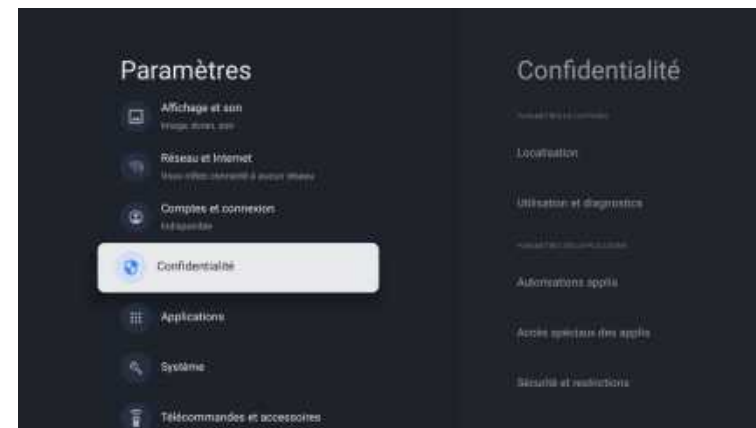
Ajouter un enfant

Configurez un profil d'enfant sur le téléviseur Google pour choisir les applications que vos enfants peuvent utiliser et pour définir des rappels à l'heure du coucher et des limites de temps d'utilisation de l'écran.

* Les profils d'enfants peuvent ne pas être disponibles dans certaines régions ou sur certains appareils.

Confidentialité

Cette section présente les réglages de confidentialité de votre téléviseur, de votre compte Google et de vos applications.



Localisation

- Google peut collecter périodiquement des données de localisation et les utiliser de manière anonyme afin d'améliorer la précision de la localisation et les services basés sur la localisation.

Utilisation et diagnostics

- Envoi automatique d'informations de diagnostic à Google, telles que les rapports de panne et les données d'utilisation de votre appareil, des applications et du Chromecast intégré. Vous pouvez modifier ces autorisations à tout moment dans les réglages de l'appareil. Pour en savoir plus, consultez le site g.co/tv/diagnostics.

Ads

- Gérez vos réglages ads, comme la réinitialisation de votre identifiant publicitaire.

Google Assistant

Vous pouvez poser des questions et effectuer des tâches sur votre téléviseur Google grâce à Google Assistant. Google Assistant est installé sur votre téléviseur Google. Vous pouvez l'activer lors de la configuration initiale de votre appareil ou ultérieurement.

Paiement et achats

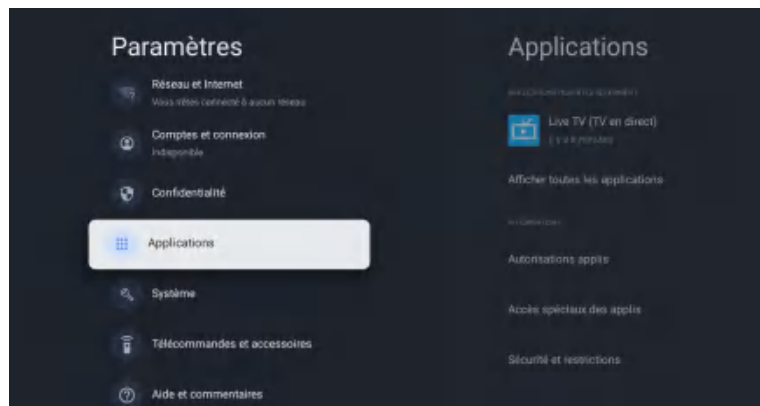
- Gérez votre compte et vos achats via l'application Play Store sur votre appareil mobile ou en suivant ces liens dans un navigateur Web :
 - Méthodes de paiement g.co/ManageWallet
 - Historique des commandes g.co/Play/Order
 - Abonnements g.co/Play/Subscriptions

Sécurité et restrictions

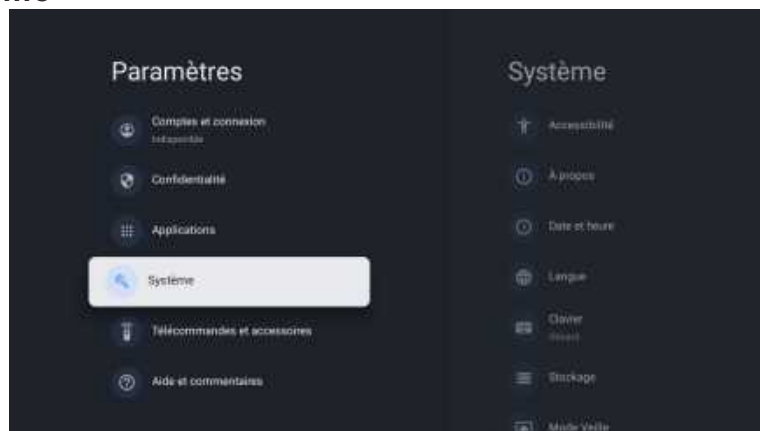
- Votre appareil et vos données personnelles sont plus vulnérables aux attaques d'applications provenant de sources inconnues. Vous acceptez d'être seul responsable de tout dommage causé à votre appareil ou de toute perte de données pouvant résulter de l'utilisation de ces applications.

Applications

Cette section concerne les réglages des applications, tels que la vérification des détails et des autorisations.



Système



Accessibilité

Vous pouvez utiliser un lecteur d'écran, des sous-titres codés, Switch Access, etc. pour rendre votre téléviseur Google plus accessible.

1. Appuyez sur a (ACCUEIL) et utilisez ▲▼◀▶ pour sélectionner Paramètres puis appuyez sur OK.
2. Utilisez ▲▼ pour sélectionner Système, puis appuyez sur OK.
3. Utilisez ▲▼ pour sélectionner Accessibilité, puis appuyez sur OK.
4. Réglez les éléments suivants .

Activer les sous-titres codés

Vos préférences en matière de sous-titres peuvent ne pas s'appliquer à certaines applications.

1. Sur l'écran d'accueil du téléviseur Google, en haut à droite, accédez à l'icône du profil utilisateur et sélectionnez Paramètres.
2. Sélectionnez Système > Accessibilité.
3. Sélectionnez Sous-titres.
4. Activez l'option Afficher pour afficher les sous-titres. Choisissez ensuite vos options.

Vous pouvez choisir la taille, la police, la couleur, l'arrière-plan et d'autres caractéristiques du texte de la légende.

Activer le texte à fort contraste

1. Sur l'écran d'accueil du téléviseur Google, en haut à droite, accédez à l'icône du profil utilisateur et sélectionnez Paramètres.
2. Sélectionnez Système > Accessibilité.
3. Activez l'option Texte à contraste élevé (expérimental).

Synthèse vocale

Réglages de sortie de la synthèse vocale.

Pour activer/désactiver cette fonction, sélectionnez et définissez TalkBack.

Utiliser les raccourcis d'accessibilité

Les raccourcis d'accessibilité sont un moyen rapide d'activer les fonctions d'accessibilité. Pour utiliser les raccourcis d'accessibilité, vous devez d'abord les activer.

Pour activer les raccourcis d'accessibilité:

1. Sur l'écran d'accueil du téléviseur Google, en haut à droite, accédez à l'icône du profil utilisateur et sélectionnez Paramètres.
2. Sélectionnez Système > Accessibilité.
3. Sélectionnez Raccourci d'accessibilité > Activer le raccourci d'accessibilité.
4. Par défaut, le raccourci active TalkBack. Pour modifier ce qui est inclus dans le raccourci, sélectionnez Service de raccourci.
5. Choisissez une option et sélectionnez OK.

Pour utiliser le raccourci: Sur votre télécommande, appuyez simultanément sur la flèche vers l'arrière et sur la touche vers le bas pendant 3 secondes.

TalkBack

TalkBack est le lecteur d'écran de Google inclus dans les appareils Android. TalkBack vous donne des informations vocales afin que vous puissiez utiliser votre appareil sans regarder l'écran.

Modifier les réglages du lecteur d'écran

1. Depuis l'écran d'accueil du téléviseur Google, faites défiler vers le haut jusqu'à la barre de navigation supérieure.
2. Sélectionnez Paramètres du profil > Tableau de bord > Paramètres.
3. Sélectionnez Système > Accessibilité.
4. Sous "Services", sélectionnez TalkBack > Configuration.
5. Modifiez les réglages relatifs au volume de la parole, à la verbosité (comme l'écho du clavier et les conseils d'utilisation) et aux mots de passe parlés.

Note(s)

Pour trouver d'autres options et réglages pour TalkBack, tels que le débit de la parole et l'intonation, dans le menu Accessibilité, sélectionnez Synthèse vocale.

Utiliser un lecteur d'écran

1. Depuis l'écran d'accueil du téléviseur Google, faites défiler vers le haut jusqu'à la barre de navigation supérieure.
2. Sélectionnez Paramètres du profil > Tableau de bord > Réglages.
3. Sélectionnez Système > Accessibilité.
4. Sous "Services", sélectionnez TalkBack > Activer > OK.

Activer l'accès au commutateur

1. Sur l'écran d'accueil du téléviseur Google, en haut à droite, accédez à l'icône du profil utilisateur et sélectionnez Paramètres.
2. Sélectionnez Système > Accessibilité.
3. Sous "Services", sélectionnez Accès commuté > Activer > OK.

A propos de

Vous pouvez vérifier la mise à jour du système et les informations relatives à l'enregistrement du téléviseur.

Réinitialiser

Cette fonction rétablit les réglages par défaut de votre appareil et efface toutes les données, les comptes, les fichiers et les applications téléchargées.

Date et heure

Date et heure automatiques

Utilisez l'heure fournie par le réseau ou désactivé

Si l'option est désactivée, réglez manuellement la date et l'heure.

Définir le fuseau horaire

Sélectionnez votre fuseau horaire Utiliser le format 24 heures

Réglez l'heure pour qu'elle s'affiche au format 12 ou 24 heures.

Langue

Vous pouvez définir la langue d'affichage à l'écran.

1. Utilisez ▲ ▼ pour sélectionner Langue, puis appuyez sur OK.
2. Utilisez ▲ ▼ pour sélectionner English (Canada), English (ETATS-UNIS), Espagnol ou Français, puis appuyez sur OK.

Clavier

Effectue le réglage du clavier.

Stockage

Stockage partagé interne

Stockage amovible

Mode ambiant (cadre photo numérique)

Le téléviseur Google vous permet de configurer votre téléviseur pour qu'il fasse défiler Google Photos lorsque vous ne regardez rien.

Puissance et énergie

Comportement à l'allumage

Sélectionnez l'écran à lancer lors de la mise sous tension du téléviseur.

Diffusion

Diffusion vers le téléviseur Google

Vous pouvez diffuser du contenu à partir de téléphones, de tablettes ou d'ordinateurs portables vers votre téléviseur Google.

Redémarrage

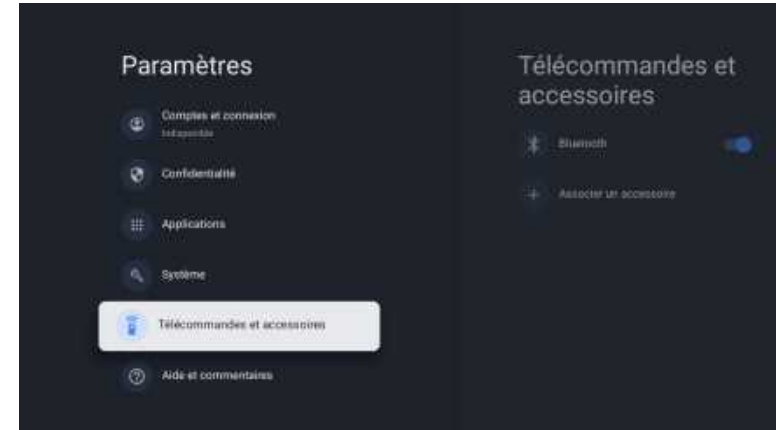
Il s'agit simplement d'éteindre et de rallumer le téléviseur. Tous les réglages sont conservés.

Si vous souhaitez supprimer tous les réglages du téléviseur, procédez à une réinitialisation d'usine. Réglages > Système > À propos de > Réinitialisation > Réinitialisation d'usine

*Cette opération rétablit les réglages par défaut de votre appareil et efface toutes les données, tous les comptes, tous les fichiers et toutes les applications téléchargées.

Télécommandes et accessoires

Vous pouvez connecter plusieurs appareils Bluetooth, comme des écouteurs ou des manettes de jeu, à votre téléviseur Google. Vous ne pouvez connecter qu'un seul périphérique audio à la fois.



Couplage d'un périphérique Bluetooth

1. Sur l'écran d'accueil du téléviseur Google, en haut à droite, accédez à l'image de profil ou à l'initiale et sélectionnez Paramètres > Télécommande et accessoires > Jumeler l'accessoire
2. Assurez-vous que votre appareil est en mode d'appairage ou qu'il est visible par d'autres appareils.
3. Identifiez l'appareil que vous souhaitez appairer dans la liste et sélectionnez-le.
4. Sur l'écran de demande d'appairage Bluetooth, sélectionnez Appairer.

Note(s)

Les accessoires qui ont été appariés à votre appareil apparaissent dans la section Télécommande et accessoires de la rubrique Paramètres. Vous pouvez également renommer ou oublier des appareils.

Reconnecter un appareil apparié

1. Sur l'écran d'accueil du téléviseur Google, en haut à droite, accédez à l'icône de profil et sélectionnez Paramètres > Télécommande et accessoires.
2. Sous "ACCESSOIRES", choisissez votre appareil.
3. Sélectionnez Connecter.

Résoudre les problèmes de connexion des appareils Bluetooth

Si votre périphérique Bluetooth ne se connecte pas, il peut s'agir d'un problème lié au périphérique Bluetooth ou à votre téléviseur.

Résoudre les problèmes de connexion

1. Éteignez votre périphérique Bluetooth, puis rallumez-le. Après la réinitialisation de votre appareil, essayez de le coupler à nouveau.
2. Si plusieurs appareils sont couplés à votre téléviseur, déconnectez ceux que vous n'utilisez pas.
3. Débranchez votre téléviseur pendant 10 secondes, puis rebranchez-le. Lorsque votre téléviseur est allumé, essayez de l'appairer à nouveau.
4. Vérifiez si votre périphérique Bluetooth se connecte à d'autres périphériques, tels qu'un téléphone ou une tablette.

A. Si votre appareil se connecte à d'autres appareils: Réinitialisez les réglages d'usine de votre téléviseur Google.

B. Si votre appareil ne se connecte pas à d'autres appareils: Vérifiez si votre appareil Bluetooth dispose d'un logiciel à jour ou demandez de l'aide au fabricant de l'appareil.

Lisez avant d'utiliser les Apps

(*Termes et conditions des applications)

- En raison des caractéristiques de l'appareil répertoriées dans le magasin d'applications, ainsi que des limitations sur le contenu disponible, certaines applications et services en vedette peuvent ne pas être disponibles sur tous les appareils ou dans tous les territoires. Certaines applications existantes peuvent également nécessiter des frais supplémentaires de périphérique ou d'adhésion. Les services et la disponibilité de ce contenu sont sujets à changement sans préavis.
- Le fabricant n'assume aucune responsabilité légale pour toute interruption due à une raison quelconque dans les services de l'application qui a été causée par le fournisseur de services.
- Une connexion Internet instable peut entraîner des retards ou des interruptions. De plus, les applications peuvent se fermer automatiquement en fonction de l'environnement réseau.
- Les services et la mise à jour des applications peuvent ne pas être disponibles.
- Le contenu de l'application est susceptible d'être modifié sans préavis par le fournisseur de services.
- Les services spécifiques peuvent différer selon la version de l'application installée sur le téléviseur.
- La fonctionnalité d'une application peut changer dans ses versions futures.
- Selon la politique du fournisseur ou des fournisseurs de services tiers, certaines applications peuvent ne pas prendre en charge le multitâche.
- La réponse aux fonctions distantes et les visualisations à l'écran qui en résultent peuvent être retardées pendant le chargement d'une page Web.
- Les opérations de copier-coller ne sont pas prises en charge.
- La vitesse de navigation Web variera en fonction de votre environnement réseau.
- Selon le type de codec vidéo/audio pris en charge, certains fichiers vidéo et audio peuvent ne pas pouvoir être lus pendant la lecture du contenu.
- Le magasin d'applications a certaines limitations. Il contient d'innombrables applications déjà intégrées pour répondre aux différents besoins de l'utilisateur, mais celui-ci n'aura pas la possibilité d'ajouter d'autres applications à partir d'autres médias.

Résolution de Problèmes

Si vous rencontrez des problèmes, vérifiez les contre-mesures pour chaque symptôme répertorié ci-dessous. Les symptômes suivants peuvent avoir été causés par un réglage incorrect plutôt que par un dysfonctionnement réel de l'appareil. Si le problème persiste, veuillez contacter le centre de service à la clientèle.

Symptômes	Solutions possibles
Pas d'alimentation électrique	Vérifiez que le câble d'alimentation et la prise de courant fonctionnent correctement. Débranchez le câble d'alimentation, reconnectez-le après 60 secondes, puis redémarrez votre téléviseur.
Aucune image n'est visible	Vérifiez la connexion de l'antenne. La station peut rencontrer des problèmes, sintonisez une autre station. Veuillez régler les paramètres de contraste et de luminosité.
Bonne image mais pas de son	Veuillez augmenter le volume. Vérifiez que votre téléviseur est en mode silencieux, appuyez sur le bouton MUTE de la télécommande. Vérifiez les paramètres sonores. Si vous utilisez des périphériques externes, vérifiez que vos sélecteurs de volume ne sont pas trop bas ou éteints. Si vous utilisez des entrées AVI ou des composants, assurez-vous que les câbles sont correctement connectés et non desserrés. Si vous utilisez un câble DVI vers HDMI, vous aurez également besoin d'un câble audio. Assurez-vous qu'aucun connecteur pour casque n'est connecté.
Bon son mais couleur anormale sans image	Vérifiez la connexion et l'état de l'antenne. Si vous utilisez l'entrée de composant, vérifiez l'état de vos connexions. Une connexion incorrecte ou lâche peut causer des problèmes de couleur ou rendre l'écran blanc.
Aucune réponse à la télécommande	Les batteries de la télécommande peuvent être épuisées. Si nécessaire, remplacez-les par de nouveaux. Nettoyez l'objectif de la télécommande. La distance entre le téléviseur LED et la télécommande doit être inférieure à 8 m, le champ d'action doit être dans l'angle de fonctionnement recommandé et le chemin doit être exempt d'obstacles.
Des points colorés peuvent être présents à l'écran	Bien que les écrans LED soient fabriqués à partir d'une technologie de haute précision et que 99,99% des pixels s'avèrent efficaces, des points noirs ou des points lumineux brillants (rouges, bleus ou verts) peuvent apparaître régulièrement sur les écrans. Il s'agit d'une propriété structurelle des écrans LED et ne constitue donc pas un réel problème de fonctionnement.
L'image est altérée	Gardez le téléviseur à l'écart des sources de bruit électromagnétique telles que les voitures, les sèche-cheveux, les soudeurs et tout autre type d'équipement en option. Les interférences électromagnétiques atmosphériques, telles que les orages locaux ou lointains, peuvent modifier l'image. Lorsque vous installez des équipements optionnels, laissez un peu d'espace entre l'équipement optionnel et le téléviseur. Vérifiez l'antenne et les connexions. Gardez l'antenne à l'écart de tout câble d'alimentation ou d'entrée/sortie.

Symptômes

Solutions possibles

Après avoir effectué le réglage automatique, seuls quelques canaux sont disponibles	Vérifiez que votre zone est couverte par des flux vidéo numériques. Essayez de régler ou d'ajuster manuellement les canaux manquants. Vérifiez que vous utilisez le bon type d'antenne.
Impossible de sélectionner les canaux	Vérifiez que les canaux n'ont pas été bloqués dans les paramètres du menu principal.
Ne joue pas via USB	Vérifiez que le câble de connexion USB et l'alimentation sont connectés. Le disque dur n'a pas été formaté. Assurez-vous que le disque USB est compatible et que les formats de données multimédias sont également pris en charge. Le disque USB est uniquement compatible avec le format FAT32.
L'image semble déformée, grande ou petite en damier, pointillée, pixélisée, etc.	La compression du contenu vidéo peut provoquer des distorsions, en particulier dans les images en mouvement rapide, comme p. ex. sportives et d'action.
Bruit dans les haut-parleurs	Vérifiez les connexions sur les câbles, assurez-vous que les câbles vidéo ne sont pas connectés aux entrées audio. Un faible niveau de signal peut provoquer des distorsions dans le son.
Le téléviseur s'éteint automatiquement	Vérifiez que la minuterie d'arrêt est activée dans le menu des paramètres. La minuterie d'arrêt peut être activée. Si le téléviseur ne reçoit pas de signal via une entrée pendant 10 minutes, il s'éteindra.
Le téléviseur s'allume automatiquement	Vérifiez que la minuterie d'alimentation est activée dans le menu de configuration.
L'image ne s'affiche pas en plein écran	Lors de l'affichage du contenu SD (4:3), les canaux HD afficheront des bandes noires de chaque côté. Films avec différents rapports d'aspect que votre téléviseur afficheront des bandes noires en haut et en bas. Réglez l'option de taille d'image sur votre appareil externe ou votre téléviseur en plein écran.

AVERTISSEMENT

Ne placez jamais le téléviseur dans un endroit instable. Le téléviseur peut tomber, causant des blessures corporelles graves ou même la mort. De nombreuses blessures, en particulier chez les enfants, peuvent être évitées en prenant des précautions simples telles que:

- utiliser des armoires ou des supports recommandés par le fabricant du téléviseur.
- utiliser uniquement des meubles qui peuvent supporter le téléviseur en toute sécurité.
- s'assurer que le téléviseur ne dépasse pas du bord de l'armoire de support.
- ne pas placer le téléviseur sur des meubles hauts (comme p.ej. dans des armoires ou des étagères) sans ancrer à la fois les meubles et le téléviseur sur un support approprié.
- ne pas placer le téléviseur sur des tissus ou d'autres matériaux qui peuvent être situés entre le téléviseur et l'armoire de support.
- éduquer les enfants sur les dangers de monter sur les meubles pour atteindre le téléviseur ou ses commandes. Si votre téléviseur est sauvegardé ou déplacé, les mêmes considérations que ci-dessus devraient s'appliquer.

Le coupleur de la fiche ou l'appareil doit être utilisé comme dispositif de déconnexion, le dispositif de déconnexion doit rester facilement utilisable.

Avertissement FCC

L'équipement est conforme à la partie 15 des règles de la FCC. Le fonctionnement doit satisfaire aux deux conditions suivantes: (1) l'équipement ne peut causer de brouillage nocif et (2) l'équipement doit accepter toute interférence reçue, y compris toute interférence qui pourrait causer un fonctionnement indésirable.

Des modifications ou des modifications qui ne sont pas expressément approuvées par la partie responsable de la conformité peuvent empêcher l'utilisateur d'utiliser l'équipement.

Note: cet équipement a été testé conformément à la partie 15 des règles de la FCC pour se conformer aux limites des appareils numériques de catégorie B. Ces restrictions visent à assurer une protection raisonnable contre les interférences nuisibles dans les installations résidentielles. L'équipement produit de l'énergie RF utilisable et rayonnante qui, si elle n'est pas installée et utilisée conformément aux instructions, peut causer des interférences nocives aux communications radio. Cependant, il n'y a aucune garantie qu'il n'y aura pas d'interférence dans une installation particulière. Si l'appareil cause effectivement un brouillage préjudiciable à la réception de la radio ou de la télévision, il peut être déterminé en éteignant et en allumant l'appareil et il est recommandé à l'utilisateur d'essayer de corriger le brouillage par une ou plusieurs des mesures suivantes:

Rediriger ou repositionner l'antenne réceptrice.

Augmenter la distance entre l'appareil et le récepteur.

Connectez l'appareil à un

Le récepteur est connecté.

Consultez votre revendeur ou un technicien de radio / télévision expérimenté pour obtenir de l'aide.

Déclaration d'exposition aux rayonnements

L'équipement est conforme aux limites d'exposition aux rayonnements établies par fac pour les environnements non contrôlés. Lors de l'installation et du fonctionnement de l'équipement, la distance entre le radiateur et le corps doit être d'au moins 20 cm.

Garantie

Merci d'avoir acheté ce produit Sylvox. Nous sommes heureux de vous offrir 12 mois de garantie gratuite.

Si vous avez des questions, n'hésitez pas à nous contacter par le biais de notre e-mail ou de notre site Internet pour obtenir de l'aide.

Courriel du service après-vente:

Pré-vente: support@sylvoxtv.com

Service après-vente: service@sylvoxtv.com

commercialisation: marketing@sylvoxtv.com

Website: www.sylvoxtv.com

Ligne d'assistance téléphonique:

+1(833)379-5869 (du lundi au vendredi, de 9 h à 17h, heure de Paris)

Politique de garantie

(1) Lorsque vous retournez un article, veuillez noter ce qui suit:

1. Seuls les articles achetés directement sur le site www.sylvoxtv.com et auprès de revendeurs agréés peuvent être retournés, tels que Amazon, Walmart, Newegg, Wayfair, Aljexpress, etc.
2. Nous n'accepterons aucune demande de retour pour des produits achetés auprès de fournisseurs tiers non autorisés.
3. Le client doit contacter le vendeur original avec votre ID de commande ou la preuve d'achat et le détail du problème du produit à service@sylvoxtv.com pour demander un retum/refund/repair/replace avant de retourner les produits. Sylvox vous fournira l'étiquette d'expédition par courrier.
4. Sylvox est responsable de tous les frais de retour pour les problèmes de qualité.
5. S'il n'y a aucune raison de retourner le produit après installation et utilisation, Sylvox aura le droit de facturer des frais de réapprovisionnement de 20% de la valeur du produit. (Seules les demandes de retour sans raison sont acceptées dans les 7 jours suivant l'arrivée, et les frais de transport sont à la charge du client).
6. Assurez-vous que le(s) article(s) que vous retournez est(sont) reconditionné(s) dans son(leur) état d'origine avec toute la documentation et les accessoires qui l'accompagnent.
7. Si le produit retourné n'est pas dans son emballage d'origine, si des dommages artificiels affectent la deuxième vente, tels que l'apparence endommagée, le manque d'accessoires, etc. nous déduirons les frais correspondants en fonction de la situation.
8. Nous traiterons votre demande dès réception de l'article retourné.

(2) Comment renvoyer un produit pour un remboursement (garantie de remboursement de 30 jours)? Pour retourner un article à Sylvox, veuillez contacter l'équipe Sylvox à service@sylvoxtv.com pour soumettre une demande de remboursement, nous vous fournirons l'étiquette d'expédition par courrier. Veuillez inclure votre numéro de commande original ou votre preuve de commande dans le courriel et assurez-vous que l'article est retourné dans les 30 jours. Aucun remboursement ne sera effectué avant la réception de l'article dans son emballage d'origine (avec sa documentation et ses accessoires).

(3) Remboursements

Une fois que nous avons reçu et vérifié l'état de votre produit, un remboursement est initié. La manière dont votre remboursement est traité dépend de votre mode de paiement initial. Pour les cartes de crédit ou de débit, les remboursements seront renvoyés à la banque émettrice de la carte dans les 7 à 10 jours ouvrables suivant la réception de l'article retourné. Veuillez contacter la banque émettrice de la carte si vous avez des questions sur la date à laquelle le crédit sera porté à votre compte.

(4) Qu'est-ce qui n'est pas couvert par la garantie?

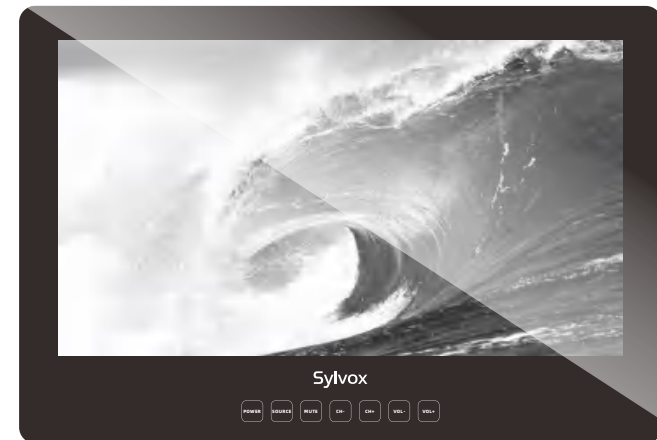
- (a) Le mauvais mode d'utilisation et la réparation incorrecte par l'utilisateur ont causé la panne ou le dommage.
- (b) La défaillance ou les dommages causés par le transport, le déplacement et la chute après l'achat.
- (c) D'autres facteurs externes inévitables sont à l'origine de la panne ou du dommage.
- (d) Utilisation incorrecte de l'équipement causée par l'eau ou d'autres solutions de dommages.
- (e) Défaillance causée par la foudre ou d'autres raisons liées au système électrique
- (f) Dommages causés par l'utilisation d'une alimentation électrique autre que la tension spécifiée.

Période de garantie:

- * Sylvox répare gratuitement le téléviseur sous condition d'une utilisation normale du manuel d'instruction dans les 12 mois.
- * Sylvox garantit que ce produit est conforme aux spécifications du fabricant et qu'il sera exempt de défauts de matériaux et de fabrication si un défaut se produit.
- * Sylvox réparera le défaut sous réserve des conditions suivantes:
 - (a) Tout défaut causé ou toute réparation nécessaire résultant d'un fonctionnement abusif, d'une négligence, d'un accident, de dommages liés à l'expédition, d'une livraison et d'une installation incorrectes, d'une application et d'une utilisation pour lesquelles ce produit n'était pas prévu, comme indiqué dans le manuel de l'utilisateur ou toute autre documentation applicable au produit.
 - (b) Tout défaut causé ou toute réparation nécessaire résultant d'un produit qui a été altéré, modifié, ajusté ou réparé par toute personne autre que Sylvox, un fournisseur de service autorisé par Sylvox ou un centre de service autorisé par Sylvox ou un revendeur.
 - (c) Tout remplacement d'accessoires, de verrerie, d'articles consommables ou périphériques requis par l'utilisation normale du produit, y compris, mais sans s'y limiter, les écouteurs, les télécommandes, les piles, etc.
 - (d) Tout dommage cosmétique à la surface ou à l'extérieur du Produit, y compris, mais sans s'y limiter, les dommages causés par l'usure normale, l'expédition et la manipulation incorrectes, ou l'utilisation de produits de nettoyage chimiques.
 - (e) Tout défaut causé ou toute réparation requise à la suite d'un dommage causé par des conditions externes ou environnementales, y compris, mais sans s'y limiter, l'utilisation d'une tension incorrecte, des fluctuations ou des surtensions de la ligne de transmission/de la ligne électrique, un déversement de liquide ou des actes de nature ou de Dieu.
 - (f) Les réclamations au titre de la garantie pour les produits retournés avec le modèle, le numéro de série de l'usine et les marquages UL altérés, illisibles ou manquants.
 - (g) Tout produit utilisé à des fins de location, d'affaires ou commerciales.
 - (h) Tous les frais d'installation, d'instruction du consommateur, de livraison, de configuration, de réglage et/ou de programmation.
 - (i) Un produit qui n'est pas installé conformément aux instructions d'installation fournies avec le produit.
 - (j) Tout problème de réception du signal (y compris les problèmes liés à l'antenne), les images qui brûlent à l'écran, le bruit ou l'écho du signal, les interférences ou autres problèmes de transmission ou de livraison du signal, la disponibilité de services ou de contenus fournis par des tiers (y compris, sans limitation, les contenus image, audio ou vidéo).
Aucune autre entité autre que Sylvox n'est autorisée à étendre, élargir ou transférer cette garantie au nom de Sylvox.
Les garanties expresses de cette garantie limitée sont, à la place de et, sauf dans la mesure interdite par la loi applicable, Sylvox décline toutes les autres garanties et conditions, expresses ou implicites, qu'elles découlent de la loi, du statut, du cours des affaires, ou de l'usage du commerce, y compris, sans limitation, les garanties ou conditions implicites de toutes les réclamations, qu'elles soient basées sur le contrat, la négligence, la responsabilité stricte ou autre. Certains États n'autorisent pas l'exclusion ou la limitation des dommages accessoires ou indirects, de sorte que la limitation ou l'exclusion ci-dessus peut ne pas s'appliquer à vous.
Pour toute question, n'hésitez pas à nous contacter via service@sylvoxtv.com à tout moment!

Sylvox

TV de Cuarto de baño



Nota: orificio reservado para la instalación (màs detalles están en la página 86)

Nota: El producto y las ilustraciones de este manual del usuario son solo para fines explicativos y pueden variar según el modelo.

Información General

Por favor, siga las siguientes instrucciones de seguridad durante la configuración y uso de este aparato con el fin de evitar daños.

Limpieza del televisor	Antes de limpiar el televisor, por favor desconéctelo. Use únicamente un paño suave y húmedo o un producto de limpieza especial para pantallas planas.
Pantalla LED	Una presión excesiva sobre la pantalla puede llegar a dañar el televisor.
Calor/condensación /humedad	No debe exponer el televisor a temperaturas elevadas (la acción directa de la luz del sol, radiadores, llamas) ni a la humedad. No debe utilizarse el televisor en zonas con un elevado nivel de humedad.
Condensación	Si mueve el televisor de un zona fría a una con una temperatura más elevada, debe dejar el televisor durante al menos una hora antes de enchufarlo. Un cambio rápido de temperatura puede llegar a conducir a la formación de condensación en el propio televisor. Esto puede llegar a provocar daños si el televisor se encuentra en uso.
Circulación de aire	Para evitar el sobrecalentamiento del televisor, las ranuras de ventilación de la parte trasera deben siempre estar libres de obstáculos.
Objetos pequeños	Es importante asegurarse de que no entren objetos pequeños o líquidos en el televisor, ya que estos pueden llegar a causar daños o incluso incendios.
Aplastamientos	Tenga especial cuidado de evitar pillarse los dedos o pinzar y aplastar otros objetos al girar el televisor en cualquier dirección.
Suministro Eléctrico	Utilice el televisor única y exclusivamente con el nivel de tensión indicado en las especificaciones. Asegúrese de que haya un fácil acceso al enchufe y que el televisor siempre pueda desconectarse del suministro de electricidad. No desconecte el televisor tirando del cable de alimentación. Agárrelo siempre del enchufe. El cable de alimentación no debe torcerse ni colocarse sobre bordes afilados.
Traslado del televisor	Cuando mueva el televisor, sostenga únicamente la carcasa.
Reparación/Accesorios	La reparación y el mantenimiento del televisor deben ser realizados única y exclusivamente por personal autorizado y capacitado.
Reciclado	Las baterías siempre deben desecharse única y exclusivamente en contenedores y recipientes dispuestos a tal efecto de acuerdo con la Normativa Vigente.



En cas de conditions météorologiques extrêmes (orages, foudre) et de longues périodes d'inactivité (départ en vacances), débranchez le téléviseur du secteur. La fiche d'alimentation sert à débrancher le téléviseur du secteur et doit donc rester facilement utilisable. Si le téléviseur n'est pas déconnecté électriquement du secteur, l'appareil continuera à consommer du courant dans toutes les situations, même si le téléviseur est en mode veille ou éteint.

IMPORTANTE - Por favor, lea detenidamente estas instrucciones antes de instalar y poner en marcha el aparato. ADVERTENCIA: no permita nunca que personas (incluido niños) con capacidades físicas, sensoriales o mentales reducidas o con una falta de experiencia y/o conocimiento utilicen dispositivos eléctricos sin recibir supervisión.

- Por motivos de ventilación, deje al menos 5 cm de espacio libre alrededor del televisor.
- La ventilación no debe verse obstaculizada cubriendo o bloqueando las aberturas de ventilación con objetos tales como periódicos, manteles, cortinas, etc.
- El enchufe del cable de alimentación debe ser de fácil acceso. No coloque el televisor, los muebles, etc. sobre el cable de alimentación. Un cable de alimentación/enchufe dañado puede causar un incendio o incluso una descarga eléctrica.
- Agarre el cable de alimentación del enchufe, no desenchufe nunca el televisor tirando del cable. No toque nunca el cable de alimentación/enchufe con las manos mojadas, ya que esto podría llegar a causar un cortocircuito o una descarga eléctrica. No haga nunca nudos en el cable de alimentación ni lo ate con otros cables. En caso de avería, éste debe ser sustituido única y exclusivamente por personal debidamente cualificado.
- No coloque nunca llamas abiertas, tales como velas encendidas, en la parte superior o cerca del televisor.
- No coloque ninguna fuente de calor como p. ej. calentadores eléctricos, radiadores, etc. cerca del televisor.
- No coloque nunca el televisor sobre el suelo o sobre superficies inclinadas.
- Mantenga las bolsas de plástico fuera del alcance de bebés, niños y mascotas con el fin de evitar el riesgo de asfixia.
- No tire las baterías al fuego o sobre materiales peligrosos o inflamables.
Advertencia: las baterías no deben ser expuestas a fuentes de calor excesivo tales como la acción directa de la luz del sol, el fuego, etc.
- Busque atención médica de inmediato si sospecha que las baterías hayan podido ser tragadas o colocadas dentro de cualquier parte del cuerpo.

ADVERTENCIAS ACERCA DE LA INSTALACIÓN EN PAREDES

Por favor, lea detenidamente las instrucciones antes de instalar el televisor. No instale nunca el televisor en una pared que esté inclinada. Utilice tornillos de montaje en pared especificados y otros accesorios. Apriete firmemente los tornillos de montaje para evitar que el televisor se caiga.

Por favor, no apriete los tornillos en exceso.

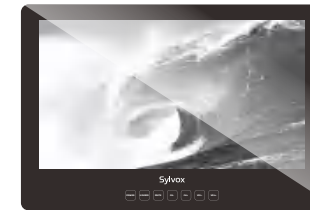
Un televisor puede llegar a caerse, causando lesiones personales graves o incluso la muerte. Muchas lesiones, particularmente en niños, pueden ser evitadas tomando sencillas precauciones tales como, educándoles acerca de los peligros involucrados al trepar por muebles para llegar al televisor o alcanzar sus controles.

Accesorios

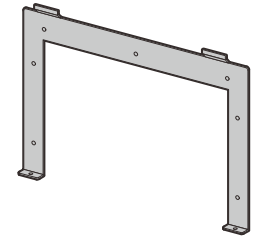
Asegúrese de que los siguientes elementos estén incluidos con su televisor. Si falta algún artículo, contáctenos.



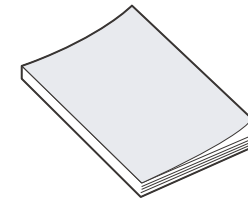
Control Remoto Destornillador



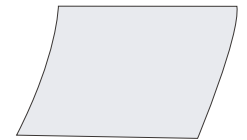
Televisor



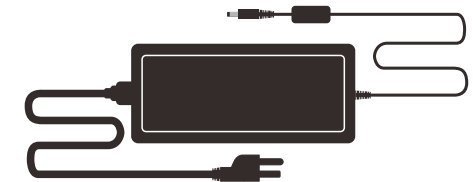
Soporte de pared



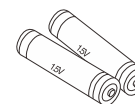
Manual de usuario



Tarjeta de garantía



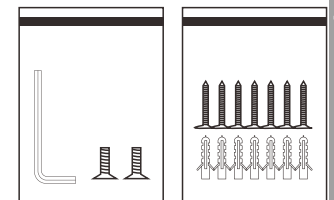
Adaptador



Baterías (AAA x 2)



Base de Control Remoto



Accesorios fijos

Contenido

ESPECIFICACIONES	81
INFORMACIÓN GENERAL	82-83
SEÑALES SOPORTADAS	84
INSTALACIÓN	85-89
DESCRIPCIÓN GENERAL	90
UNIDAD DE CONTROL REMOTO	91
CONFIGURACIÓN INICIAL	92-107
PANTALLA DE INICIO	96
FUENTE DE ENTRADA	96-97
PANEL	98
CHANALES & ENTRADAS	98
PANTALLA & SONIDO	99-100
RED & INTERNET	101
CUENTAS & INICIO DE SESIÓN	102
PRIVACIDAD	103
APLICACIONES	104
SISTEMA	105-106
REMOTOS & ACCESORIOS	107
LEA ANTES DE UTILIZAR LAS APPS	108
RESOLUCIÓN DE PROBLEMAS	109-111
POLÍTICA DE GARANTÍA	112-113

Especificación

Modelo	BT24A1KGGB	BT32A1KGGB
Tamaño de Pantalla	24"	32"
Tipo de Pantalla	LED	
Adaptador de Corriente	DC 12V $\overline{\text{---}}$ 4A	DC 12V $\overline{\text{---}}$ 6A
Resolución Máxima	1920 X 1080	
Consumo de energía (máx.)	30W	58W
Salida de sonido (máx.)	2 x 5W	
Control de imagen	Control numérico fino	
Tipo de pantalla	Pantalla LED de matriz activa de color	
Sistema de TV	NTSC System, ATSC System	
Rango de frecuencia	Antena: 2 ~ 69; Cable: 1 ~ 135 (analógico: 1 - ~ 125, Número: 1 ~ 135)	
Formatos de entrada de vídeo	NTSC3.58	
Impedancia de entrada de la antena	75 Ω (Desequilibrada)	
Dimensiones del aparato	23.50 x 16.00 x 1.65 inch	31.04 x 19.90 x 2.00 inch
Temperatura de funcionamiento	0°C-40°C	

Note:

Design and specification modification maybe made at any time without prior notice, all data and dimensions are approximations.

Información General



POWER: Presione este botón para encender o apagar el televisor.

SOURCE: Pulse para abrir la lista de fuentes de entrada.

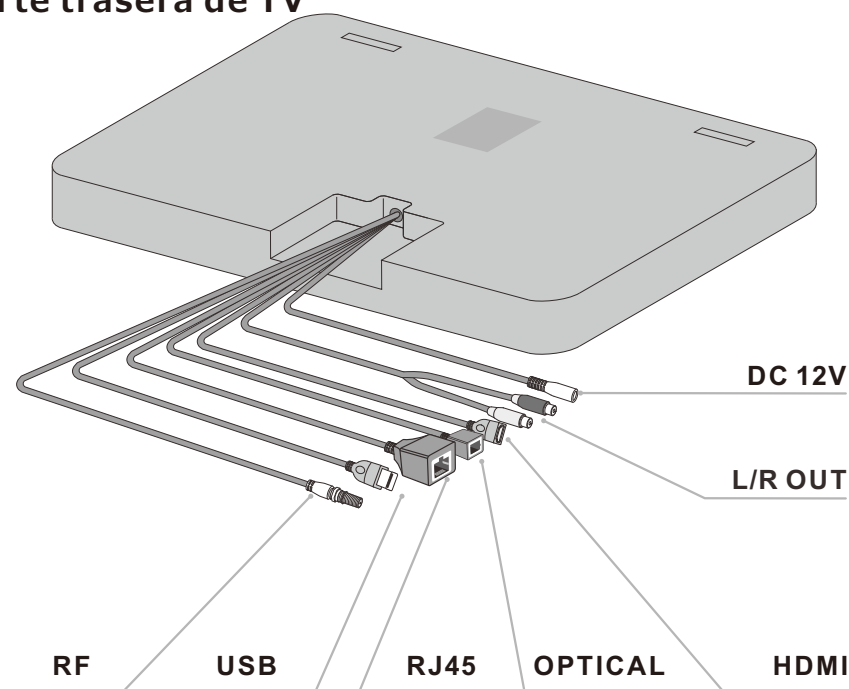
MUTE: Presione este botón para cortar el sonido del televisor temporalmente, presione nuevamente para reanudar.

CH-/+: Pulse para cambiar de canal.
En el menú en pantalla, use los botones CH +/- como botones de flecha arriba/abajo.

VOL-/+: Presione para aumentar o disminuir el volumen.
En el menú en pantalla, use los botones VOL +/- como botones de flecha izquierda/derecha.

Información General

Parte trasera de TV



- 1. RF**
Conectado a una antena externa para recibir el programa ATV/DTV en modo ATV/DTV.
- 2. USB**
Entrada USB.
- 3. RJ45**
Conexión Ethernet.
- 4. OPTICAL OUT**
Salida de audio digital.
- 5. HDMI**
Conexión para señal HDMI.
- 6. L/R OUT**
Conéctelo a las tomas de salida de audio de su amplificador/cine en casa.
- 7. DC 12V**
Entrada de DC.

Señales Soportadas

MODO PREESTABLECIDO (HDMI)

	Resolución	Frecuencia Vertical (Hz)	Frecuencia Horizontal (kHz)
1	640x480	59.94	31.469
2	720x480	59.94	31.469
3	720x576p	50	31.25
4	800x600	60	37.9
5	1280x720p	60	45
6	1920x1080i	60	33.75
7	1920x1080p	60	67.5

Instalación

Precauciones durante la instalación



Instale el host de TV después de instalar el bus de la unidad. Sin embargo, si la pared es difícil de procesar después de la instalación, procésela antes de la instalación.

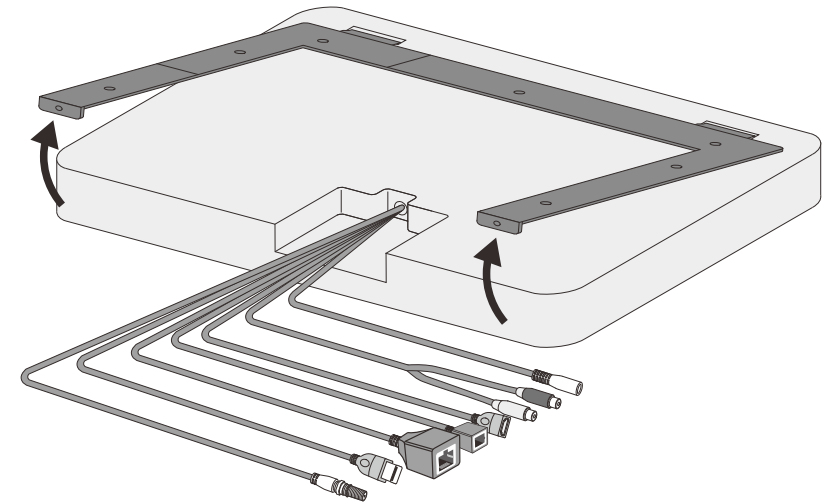
Confirme la posición de instalación del cuerpo principal del televisor para no interferir con el cableado o el grifo del control remoto para el suministro de agua caliente.

Si hay nervaduras en la parte posterior de la pared, evite las nervaduras y ajuste la posición de los orificios de montaje.

Cuando utilice el soporte de montaje, tenga cuidado de no lastimarse con la cara del extremo.

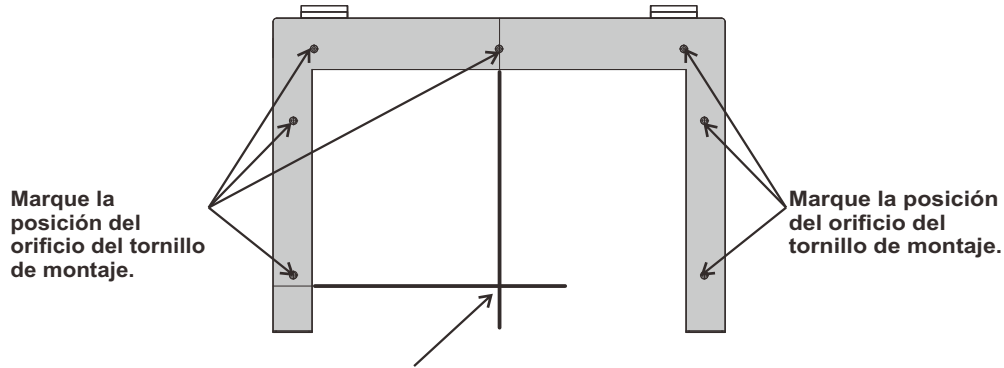
Asuntos que requieren atención al desempacar

El soporte de montaje sale de fábrica montado en el cuerpo principal del televisor. Al desmontar, levante la parte inferior y luego extraiga la garra superior.



Marque las posiciones de los orificios para cableado y los orificios para tornillo

1. Coloque los accesorios de instalación en la posición de instalación predeterminada de la pared del baño.
 - ✘. Preste atención a la diferencia de tamaño entre el soporte de montaje y el cuerpo principal del televisor.
El cuerpo principal del televisor es mejor que los accesorios de montaje, 40 mm a la izquierda y a la derecha.
 - ✘. Asegúrese de que la pared en el lugar de instalación programado sea plana.
2. Dibuje una retícula en la pared del baño de acuerdo con las líneas grabadas en el soporte de montaje.
3. Marque la posición del orificio de montaje 7 del soporte de montaje.



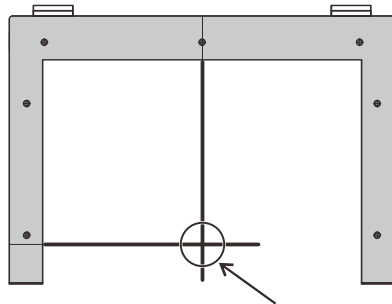
Dibuje una cruz según la línea de referencia.



Al adherirse al soporte de montaje, preste atención a si es horizontal.

Taladre agujeros para cableado en la pared del baño.

Con el punto de intersección de la retícula dibujada en la pared del baño en el paso 1 como el centro, perforo $\Phi 30 \text{ mm} \sim \Phi 60 \text{ mm}$.



Agujero de cableado $\Phi 30 \sim 60 \text{ mm}$

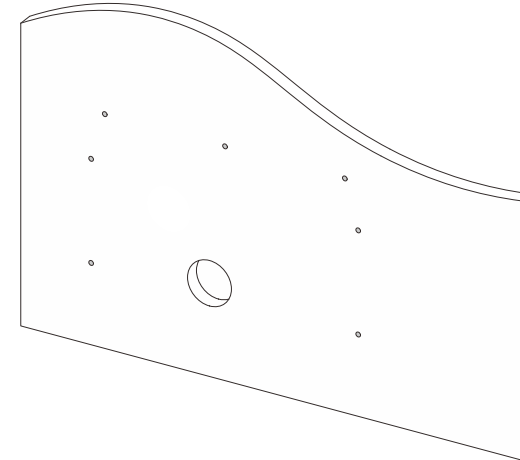
Instalación de soporte

Haga un agujero en el fondo en el lugar donde se introduce el tornillo.

Utilice tornillos o fijadores en la instalación de piezas metálicas según el material, espesor y estado de la pared del baño instalada.

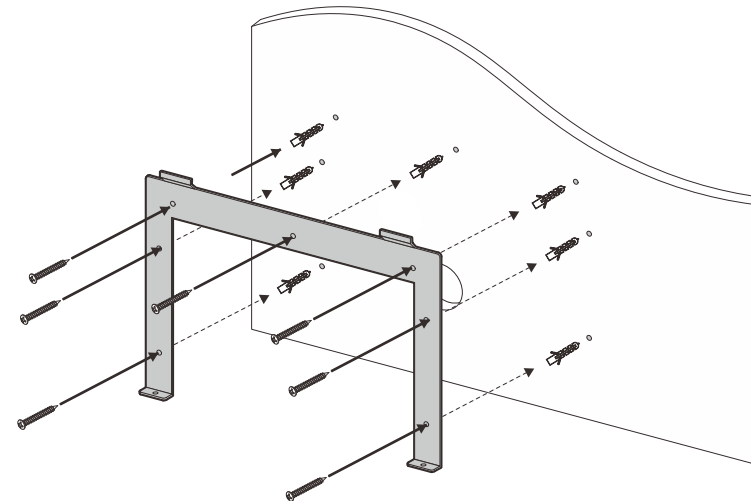
Haz agujeros en las posiciones marcadas en el paso 1.

Cuando use los tornillos adjuntos, haga un orificio pretaladrado basado en $\phi \Phi 3.0 \text{ mm}$



Haga un agujero en el fondo en el lugar donde se introduce el tornillo.

Introduzca el manguito roscado actual en el orificio y fíjelo con el soporte de montaje con tornillos.



Tenga cuidado de no dejar que los tornillos dañen las tuberías de la pared.

Puente de cables

Saque el cable del orificio de cableado.

El cable sale del orificio de cableado unos 200~300 mm.

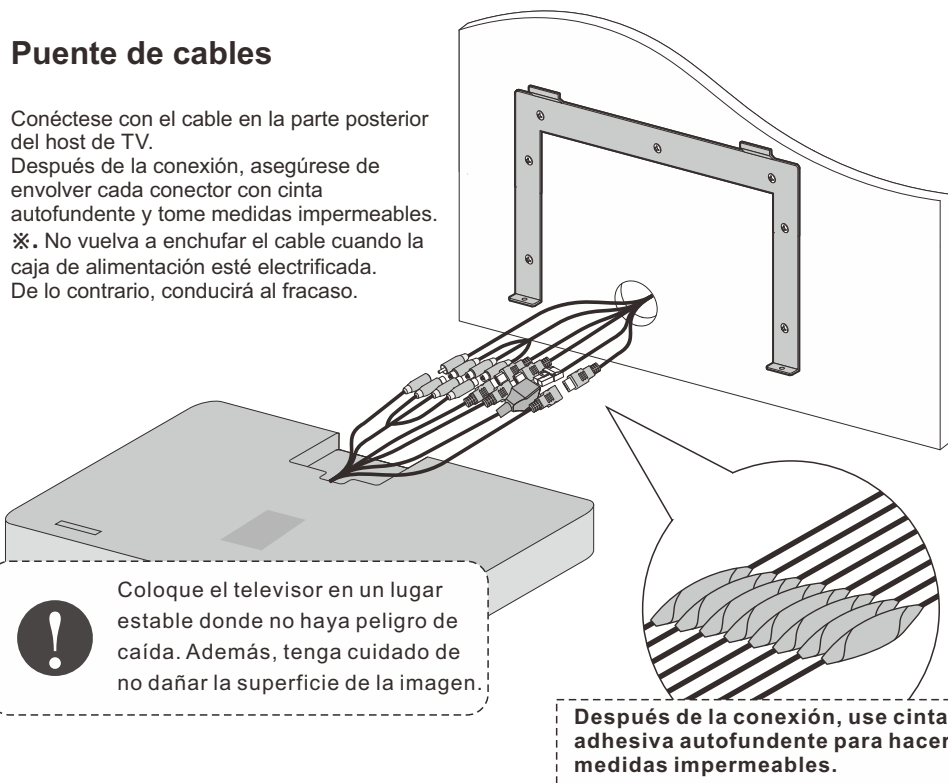
※. No tire del cable con fuerza. De lo contrario, conducirá a la desconexión.

Puente de cables

Conéctese con el cable en la parte posterior del host de TV.

Después de la conexión, asegúrese de envolver cada conector con cinta autofundente y tome medidas impermeables.

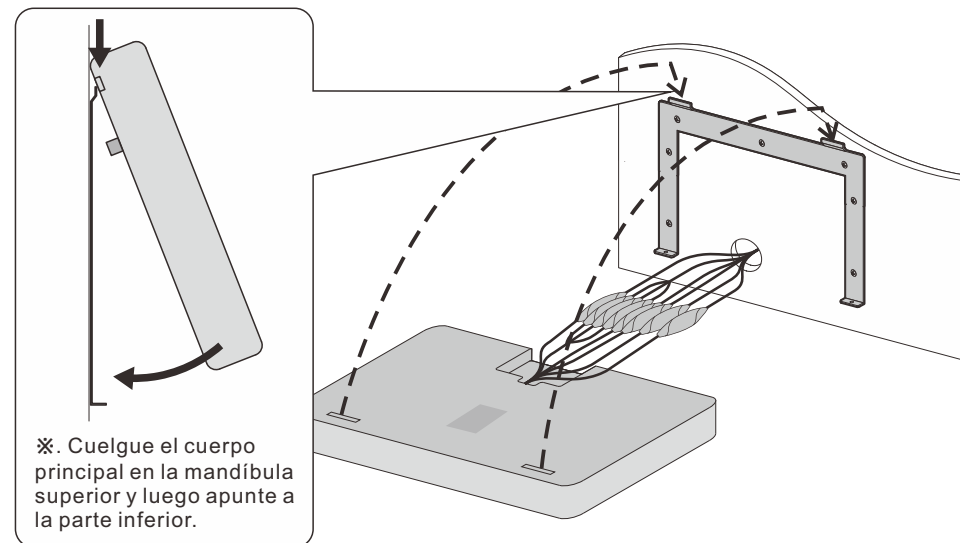
※. No vuelva a enchufar el cable cuando la caja de alimentación esté electrificada. De lo contrario, conducirá al fracaso.



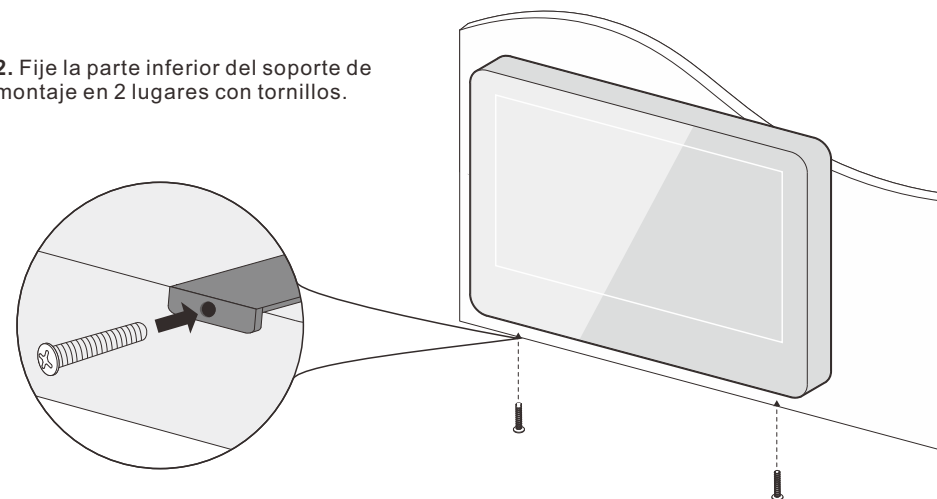
Configure temporalmente el cuerpo principal del televisor. Realice la configuración inicial y la confirmación de la acción.

Instale el cuerpo principal del televisor en el accesorio de instalación.

1. Alinee la ranura del cuerpo principal del televisor con dos garras en la parte superior del soporte de montaje para la instalación.



2. Fije la parte inferior del soporte de montaje en 2 lugares con tornillos.

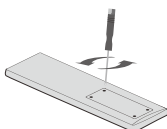


Descripción General

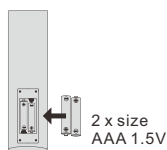
Retire la tapa de las pilas e inserte las pilas proporcionadas. Luego vuelva a colocar la tapa de la batería.

Instalando Batería

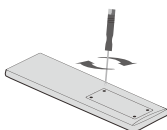
1 Use el destornillador accesorio para quitar los cuatro tornillos de la tapa de la batería del control remoto y abra la tapa de la batería.



2 Inserte dos pilas tamaño AAA de 1,5 V con la polaridad correcta. No mezcle baterías viejas o usadas con nuevas



3 Bloquee los cuatro tornillos en la tapa de la caja de la batería del control remoto con un destornillador. Guarde el destornillador.



† Dirija el mando a distancia hacia el sensor del televisor inalámbrico y úselo dentro de un rango de 7 metros.

† Coloque las baterías utilizadas en un contenedor de reciclaje, ya que pueden llegar a afectar negativamente al medio ambiente.

NOTAS:

- En condiciones de uso normal, una carga debe durar al menos un año.
- Retire las baterías para evitar daños debido a posibles fugas en las mismas, si no tiene la intención de utilizar el mando a distancia durante un largo periodo de tiempo.
- Las baterías (paquete de baterías o baterías instalados) no deben exponerse a calor excesivo como p. ej. la acción directa de la luz del sol, el fuego o fuentes de calor similares.

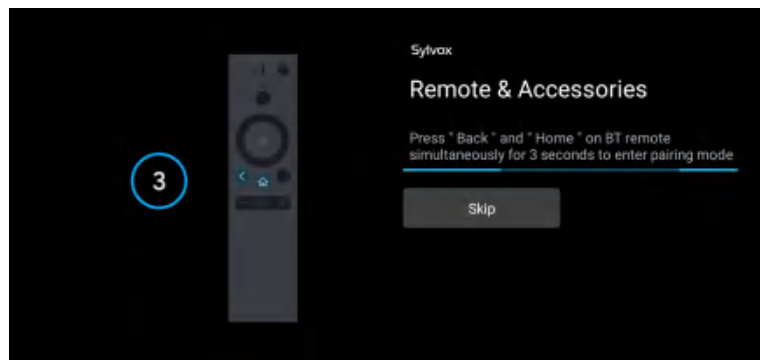
Unidad de Control Remoto



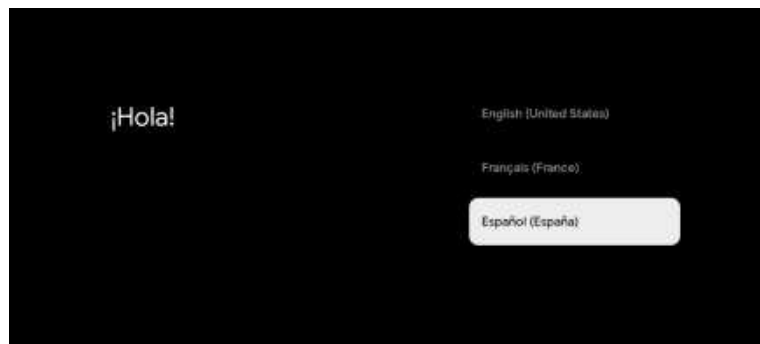
1. **POWER:** enciende y apaga el televisor
2. **MUTE:** Presione este botón para cortar el sonido del televisor temporalmente, presione nuevamente para reanudar.
3. **Digital Buttons(0-9, -):** Selecciona directamente el canal con los botones digitales.
4. **INPUT:** Pulse para abrir la lista de fuentes de entrada.
5. **NETFLIX:** Si la red se conecta, presione esta tecla para ver NETFLIX directamente.
6. **YouTube:** Si la red se conecta, presione esta tecla para ver YouTube.
7. **Disney+:** Si la red se conecta, presione esta tecla para ver Disney+.
8. **Prime Video:** Si la red se conecta, presione esta tecla para ver Prime Video.
9. **Profile:** Cambia de perfil.
10. **Google Assistant:** Abra el Asistente de Google.
11. **Settings:** Accès aux réglages (directement ou via le tableau de bord dans GTV) depuis n'importe quel endroit du système.
12. **Arrow buttons**▲▼◀▶: Se utilizan para seleccionar elementos del menú en pantalla y cambiar los valores del menú.
13. **OK:** Onfirma la selección.
14. **BACK:** Vuelve al menú anterior.
15. **Guide:** Abra EPG de TV en vivo.
16. **HOME:** Muestra la página de INICIO.
17. **VOL +/-:** Pulse estos botones para ajustar el volumen.
18. **CHA/V:** Pulse estos botones para cambiar de canal hacia arriba o hacia abajo.
19. **INFO:** Presione para mostrar la lista de aplicaciones.
20. **●:** En modo DTV, presione el botón ● para grabar el programa de TV.
21. **APPS:** Presione para mostrar la lista de aplicaciones.
22. **LIST:** Pulse para mostrar la lista de canales.
23. **CC:** Muestra el menú de función CC en el modo TV/AV de.
24. **Button:** Presiónelo para abrir el teclado virtual en la fuente DTV.
25. **MTS/AUDIO:** En el modo USB, presione este botón para cambiar la pista de audio cuando se reproduce una película. En modo TV, presione este botón para cambiar MTS o idioma de audio.
26. **DIGITAL MEDIA PLAYER CONTROL BUTTON:** Incluye retroceso, avance, reproducción/pausa, parada en modo USB.
27. **COLOR BUTTONS:** Se utiliza en las APPS.

Configuración inicial

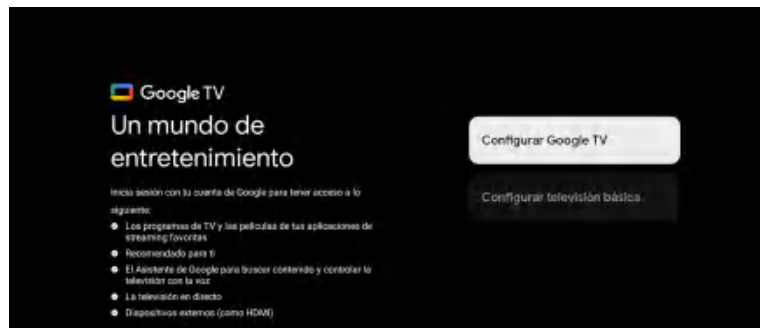
1. Conecte el televisor a la fuente de alimentación y la luz indicadora se iluminará en rojo después de encenderlo. Presione el botón (encendido) en el control remoto o en el televisor para encender el televisor.
2. Primero debe emparejar el control remoto con el televisor. Después de que el código sea exitoso, puede usar el control remoto Bluetooth del televisor.



3. Presione ▲/▼ para seleccionar el idioma del sistema y presione OK para confirmar el idioma.



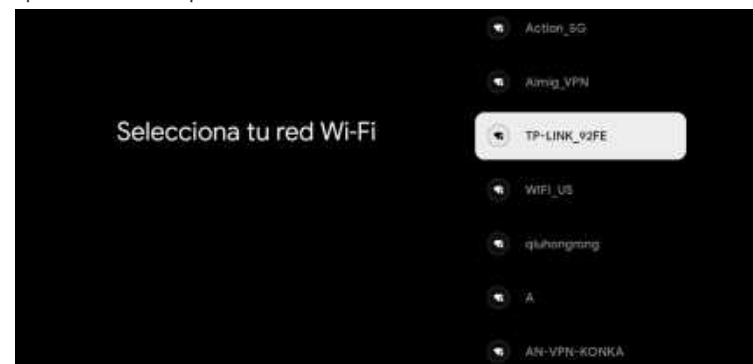
4. Presione ▲/▼ para configurar Google TV, que necesita iniciar sesión en la cuenta de Google para el servicio de Google, o TV básica que no necesita iniciar sesión en la cuenta de Google.



5. Escanee el código de configuración para descargar la aplicación Google Home en su teléfono para configurar o presione ▲/▼ para configurar en la TV.



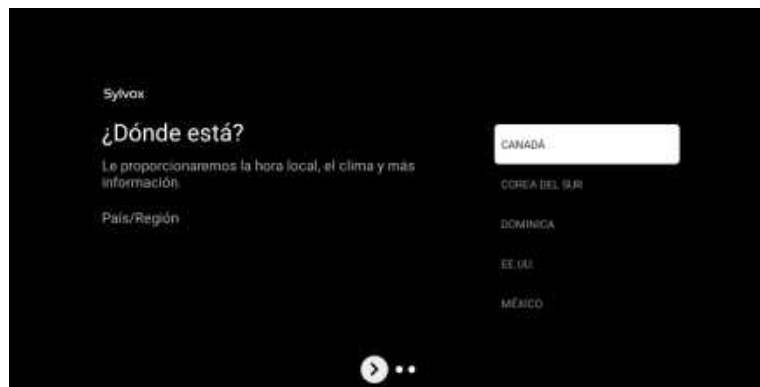
6. Presione ▲/▼ para seleccionar el wifi para conectarse, presione OK e ingrese la contraseña para confirmar que la conexión es exitosa.



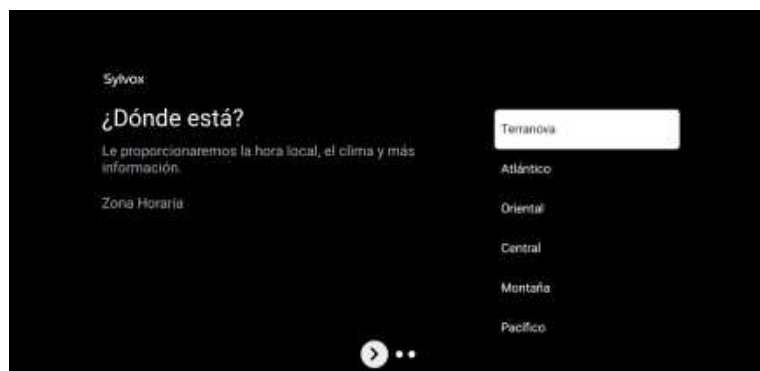
7. Al aceptar los Términos de servicio de Google para mejorar la experiencia del producto, seleccione "Aceptar" para aceptar esta condición.



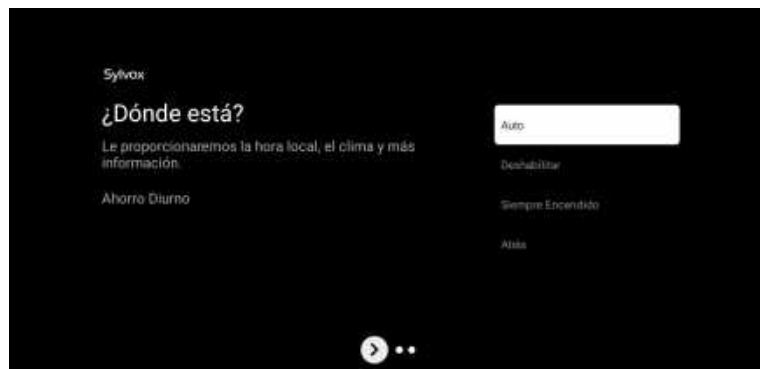
8. Establezca su ubicación.



9. Establezca su Zona Horaria.



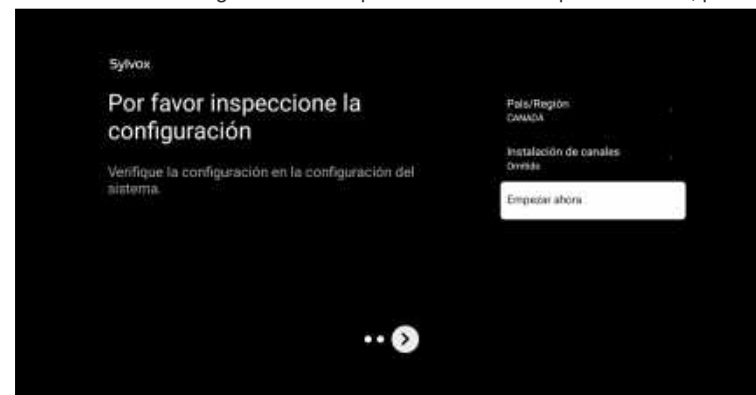
10. Establezca su Ahorro Diurno.



9. Establezca el modo Tuner. También puede optar por omitir primero.



10. Vuelva a verificar su configuración. Después de confirmar que está bien, puede usarla.

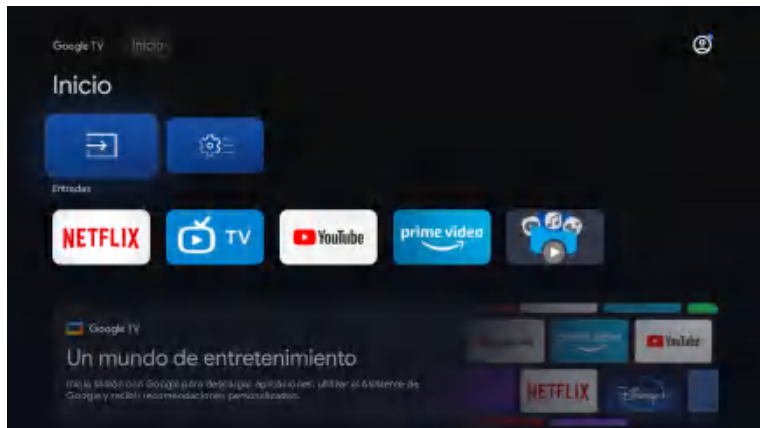


※ El contenido que se muestra en la imagen depende de su región.

PANTALLA DE INICIO

Tras completar la configuración del asistente, podrá visualizar contenido e ir a la pantalla de inicio.


①



②

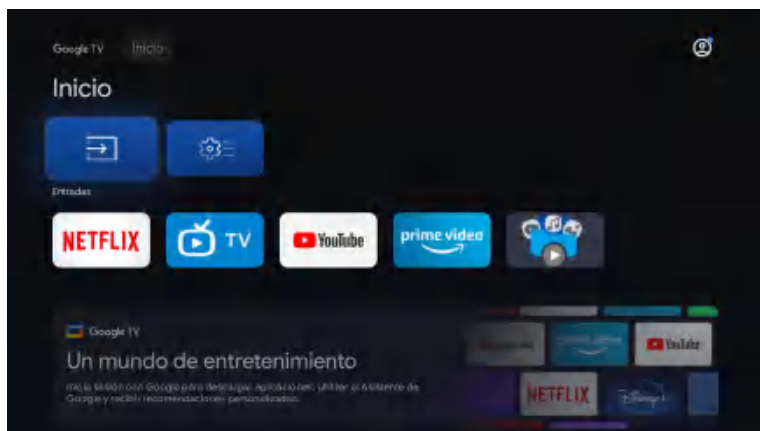
1. Abra el Asistente de Google o inicie una búsqueda de texto.
2. Entre las aplicaciones instaladas en su televisor, se mostrarán iconos con sus aplicaciones favoritas (las aplicaciones podrán ser añadidas, eliminadas o alteradas en el orden que usted desee).

 Entradas: sirve para seleccionar una fuente de entrada.

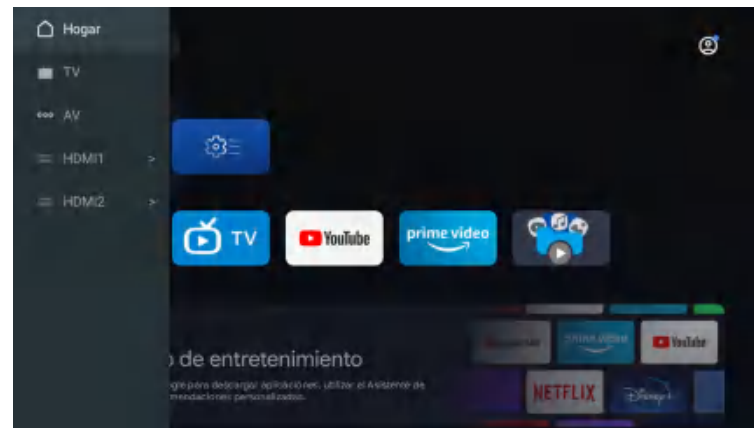
 Configuración: aquí podrá realizar diferentes ajustes. Para obtener más información acerca de la configuración, consulte con la explicación siguiente.

FUENTE DE ENTRADA

En la interfaz HOME, pulse ▲/▼/◀/▶ para poder seleccionar el icono de “Entradas”. Pulse posteriormente OK para abrir la lista de fuentes de entrada y, a continuación, pulse arriba para resaltar una entrada y OK para cambiarla.

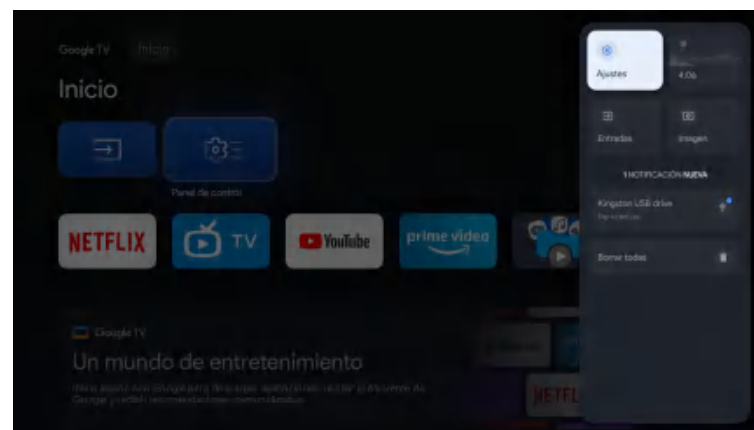


En TV en vivo, pulse el botón SOURCE para mostrar la lista con las fuentes de entrada. Aquí podrá seleccionar la fuente deseada.



NAVEGANDO POR EL MENÚ EN PANTALLA

1. En la interfaz HOME, pulse el botón ► para seleccionar el icono del menú de configuración circular y OK para confirmar.



2. Pulse el botón ▲/▼ para seleccionar lo que desea establecer.
3. Pulse OK para introducir la configuración.



Panel

El panel de control de Google TV proporciona una ubicación única para que los usuarios accedan, configuraciones, notificaciones, configuraciones de imágenes y más. Para abrir el panel, presione DASHBOARD en su control remoto desde la pantalla de inicio de Google TV.

1. Presione **🏠** para mostrar el menú Inicio.
2. Desde la pantalla de inicio de Google TV, presione **⚙️** para mostrar el TABLERO.
3. Use **▲▼◀▶** para seleccionar el menú deseado y un elemento, luego presione OK.

Chanales & Entradas

Para establecer canales y entradas



Agregar canales

Para agregar por primera vez o canales adicionales, siga los pasos a continuación:

1. Vaya a Configuración > Canales y entradas > Canales
2. Seleccione su tipo de señal
3. Seleccione Exploración de canales para iniciar la instalación de canales.

Entradas

Control electrónico del consumidor (CEC): esto le permite operar las funciones vinculadas entre los dispositivos de nuestra marca con función CEC y esta unidad. No garantizamos el 100 % de interoperabilidad con otras marcas de dispositivos compatibles con CEC.

Pantalla & sonido

Para configurar la imagen y el sonido



Imagen



Modo de imagen

Estándar: para ver la televisión normalmente.

Película: configuración de imagen profunda para una experiencia cinematográfica.

ECO: Ajustes Eco TV para bajo consumo de energía.

Vívido: contraste y nitidez de imagen mejorados para ver en una habitación bien iluminada.

Deportes: Ajustes de imagen brillantes para mucha acción.

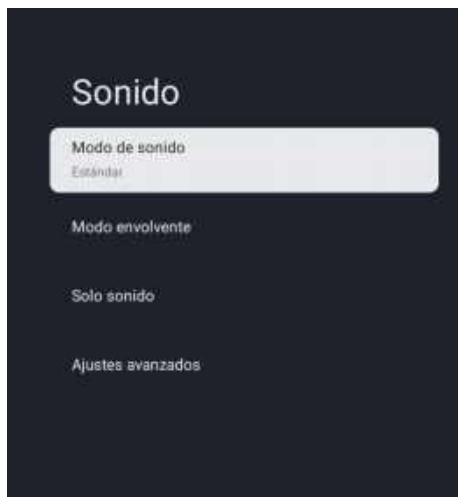
Juego: Optimizado para PC y videoconsolas.

Brillo de la pantalla

Ajusta el brillo del LED para afectar el color brillante general.

Ajustes avanzados

Para configuraciones de imagen más detalladas, vaya a Configuración avanzada, donde encontrará configuraciones para Temperatura de color, Reducción de ruido y Restablecimiento de imagen, etc.



Sound Mode

Se pueden configurar los siguientes ajustes de sonido. Según el formato de la transmisión, algunos ajustes de sonido no están disponibles.

Estándar: para ver la televisión normalmente.

Película: Ajustes de sonido potentes para una experiencia cinematográfica.

Música: optimizado para la reproducción de música.

Noticias: Configure la voz del presentador a un volumen cómodo.

Personal: la configuración personalizada que prefiera.

Salida de audio

Dispositivo de salida: altavoz de TV/SPDIF/óptico/HDMI-ARC

Salida digital: Auto/Bypass/PCM/Dolby Digital Plus/Dolby Digital

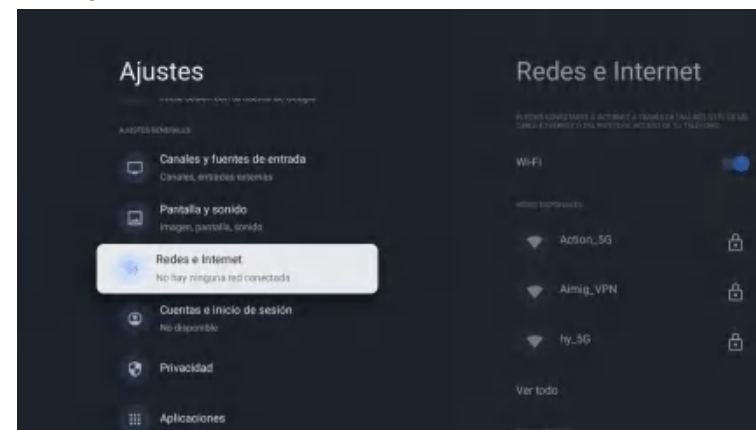
Retardo de salida digital

La imagen en pantalla y el sonido de un amplificador a través del conector de salida de audio digital (SPDIF) se sincronizan retrasando la salida de la conexión.

Los valores más altos aumentarán el retardo de salida de audio digital (SPDIF).

Red & Internet

Configure los ajustes de conexión de red para usar aplicaciones o funciones de actualización de red. Para configurar Red e Internet.



Configuración wifi

1. Confirme que Wi-Fi esté encendido y que esté conectado a la red correcta.
2. De lo contrario, busque la red a la que desea conectarse y selecciónela para conectarse. Introduzca la contraseña si es necesario.
3. Abra una de sus aplicaciones.
4. Vuelva a reproducir su video, música o juego.

Nota(s)

Si aún tiene problemas, desactive y vuelva a activar la opción Wi-Fi.

Use su punto de acceso móvil/tableta

Ajusta automáticamente la calidad del video para usar menos datos móviles.

- Ahorro de datos reduce el uso de datos en conexiones móviles, lo que aumenta el tiempo de visualización hasta 3 veces.
- El uso de datos y las alertas lo ayudan a monitorear su uso de datos mientras mira televisión.

Escaneo siempre disponible

Permita que el servicio de ubicación de Google y otras aplicaciones busquen redes, incluso cuando el Wi-Fi esté apagado.

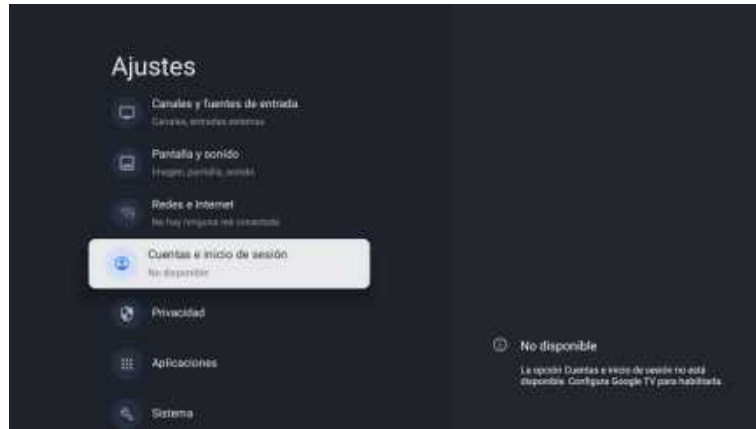
Ethernet

Configuración de proxy: configure el proxy manualmente.

Configuración de IP: configure la configuración de IP para su conexión de red.

Cuentas & inicio de sesión

Puede administrar agregar o eliminar su cuenta de Google y su cuenta de perfil para niños



Cuenta Google

Los perfiles de Google TV permiten que todos en tu hogar disfruten de su propio espacio personalizado con su cuenta de Google. Con un perfil personalizado, obtendrás recomendaciones de películas y programas de TV solo para ti, acceso fácil a tu lista de observación personal y ayuda de tu Asistente de Google

Agregar cuenta de Google

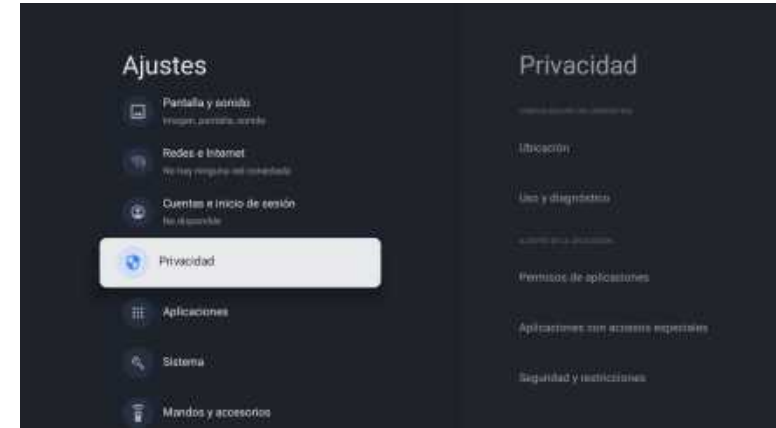
Puede agregar más de una cuenta en su Google TV para poder iniciar sesión en los servicios con varias cuentas. Tus medios y tu actividad se sincronizan en todos los dispositivos en los que hayas iniciado sesión en tu cuenta de Google.

Agregar un niño

Configure un perfil para niños en Google TV para elegir qué aplicaciones pueden usar sus hijos y para configurar recordatorios para acostarse y límites de tiempo frente a la pantalla. * Es posible que los perfiles de niños no estén disponibles en algunas regiones o en algunos dispositivos.

Privacidad

Esta sección es la configuración de privacidad de su televisor, cuenta de Google y aplicaciones.



Ubicación

- Google puede recopilar datos de ubicación periódicamente y utilizar estos datos de forma anónima para mejorar la precisión de la ubicación y los servicios basados en la ubicación.

Uso y diagnóstico

- Envíe automáticamente información de diagnóstico a Google, como informes de fallas y datos de uso de su dispositivo, aplicaciones y Chromecast integrado. puede ajustar estos permisos en cualquier momento desde la configuración del dispositivo. Obtenga más información en g.co/tv/diagnostics o tv/diagnostics.

Anuncios

- Administre su configuración de afs, como restablecer su ID de publicidad.

Asistente de Google

Puede hacer preguntas y completar tareas en su Google TV con el Asistente de Google. El Asistente de Google viene instalado en su dispositivo Google TV. Puede activarlo cuando configura su dispositivo por primera vez, o puede activarlo más tarde.

Pago & compras

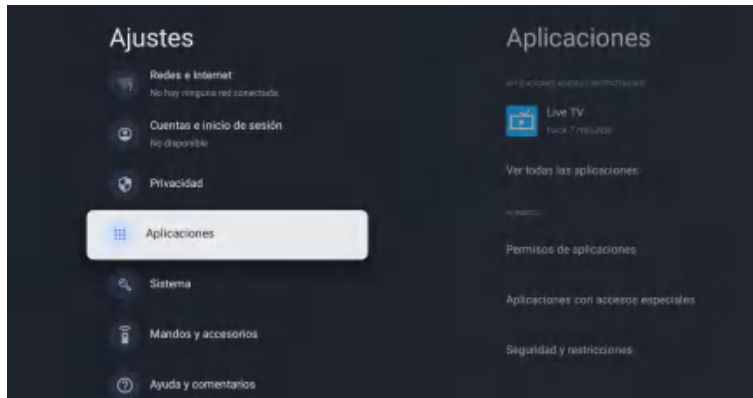
- Administre su cuenta y compras a través de la aplicación Play Store en su dispositivo móvil, o siguiendo estos enlaces en un navegador web:
 - Métodos de pago g.co/ManageWallet
 - Historial de pedidos g.co/Play/Order
 - Suscripciones g.co/Play/Subscriptions

Seguridad & Restricciones

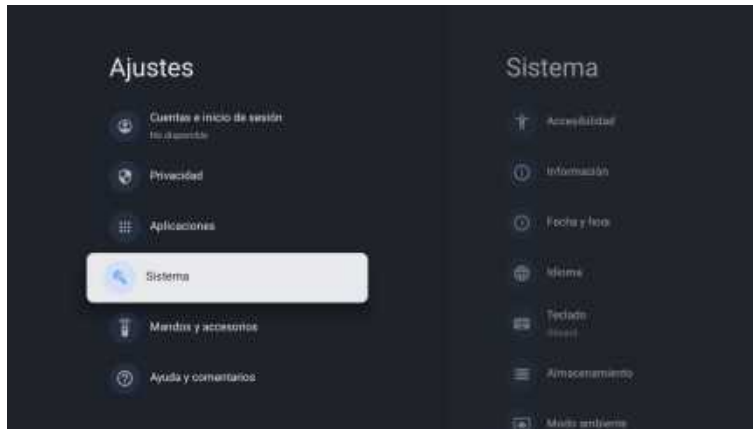
- Su dispositivo y sus datos personales son más vulnerables a los ataques de aplicaciones de fuentes desconocidas. Usted acepta que es el único responsable de cualquier daño a su dispositivo o pérdida de datos que pueda resultar del uso de estas aplicaciones.

Aplicaciones

Esta sección es la configuración de las aplicaciones, como la verificación de detalles y permisos.



Sistema



Accesibilidad

Puede usar un lector de pantalla, subtítulos, acceso mediante interruptores y más para hacer que su dispositivo Google TV sea más accesible.

1. Presione a (INICIO) y use ▲▼◀▶ para seleccionar Configuración y luego presione OK..
2. Use ▲▼ para seleccionar Sistema, luego presione OK..
3. Use ▲▼ para seleccionar Accesibilidad, luego presione OK
4. Ajuste los siguientes elementos.

Turn on closed captions

Es posible que sus preferencias de subtítulos no se apliquen a ciertas aplicaciones.

1. Desde la pantalla de inicio de Google TV, en la parte superior derecha, ve al icono de perfil de usuario y selecciona Configuración.
2. Selecciona Sistema > Accesibilidad.
3. Selecciona Subtítulos.
4. Encienda Mostrar para mostrar subtítulos. Luego elige tus opciones.

Puede elegir el tamaño, la fuente, el color, el fondo y otras características del texto de los subtítulos.

Activar texto de alto contraste

1. Desde la pantalla de inicio de Google TV, en la parte superior derecha, ve al icono de perfil de usuario y selecciona Configuración.
2. Selecciona Sistema > Accesibilidad.
3. Active Texto de alto contraste (Experimental).

Texto a voz

Ajustes de salida de texto a voz.

Para activar/desactivar esta función, seleccione y configure TalkBack.

Usar atajos de accesibilidad

Los accesos directos de accesibilidad son una forma rápida de activar las funciones de accesibilidad. Para usar los accesos directos de accesibilidad, primero debe activarlos

Para activar los atajos de accesibilidad:

1. Desde la pantalla de inicio de Google TV, en la parte superior derecha, ve al icono de perfil de usuario y selecciona Configuración.
2. Selecciona Sistema > Accesibilidad.
3. Selecciona Acceso directo de accesibilidad > Habilitar acceso directo de accesibilidad.
4. De forma predeterminada, el acceso directo activa TalkBack. Para cambiar lo que se incluye en el acceso directo, elija Servicio de acceso directo.
5. Elija una opción y seleccione OK.

Para usar el acceso directo: en su control remoto, mantenga presionados los botones de flecha hacia atrás y hacia abajo al mismo tiempo durante 3 segundos.

Replicar

TalkBack es el lector de pantalla de Google incluido en los dispositivos Android. TalkBack le brinda comentarios de voz para que pueda usar su dispositivo sin mirar la pantalla.

Cambiar la configuración del lector de pantalla

1. Desde la pantalla de inicio de Google TV, desplácese hacia arriba hasta la barra de navegación superior.
2. Selecciona Configuración de perfil > Tablero > Configuración.
3. Selecciona Sistema > Accesibilidad.
4. En "Servicios", seleccione TalkBack > Configuración.
5. Cambie la configuración del volumen de voz, la verbosidad (como el eco del teclado y las sugerencias de uso) y las contraseñas habladas.

Nota(s)

Para encontrar más opciones y configuraciones para TalkBack, como la velocidad del habla y la entonación, en el menú Accesibilidad, seleccione Texto a voz.

Usa un lector de pantalla.

1. Desde la pantalla de inicio de Google TV, desplácese hacia arriba hasta la barra de navegación superior.
2. Selecciona Configuración de perfil > Tablero > Configuración.
3. Selecciona Sistema > Accesibilidad.
4. En "Servicios", seleccione TalkBack > Habilitar > OK

Activa la accesibilidad mediante interruptores

1. Desde la pantalla de inicio de Google TV, en la parte superior derecha, ve al icono de perfil de usuario y selecciona Configuración.
2. Selecciona Sistema > Accesibilidad.
3. En "Servicios", selecciona Accesibilidad mediante interruptores > Habilitar > OK

Acerca de

Puede comprobar la actualización del sistema y la información de registro de TV.

Reiniciar

Esto restaurará su dispositivo a la configuración predeterminada y borrará todos los datos, cuentas, archivos y aplicaciones descargadas

Fecha & hora

Fecha & hora automáticas

Use el tiempo proporcionado por la red o desactívelo

Si está desactivado, configure manualmente la fecha y la hora. Establecer zona horaria

Seleccione su zona horaria Utilice el formato de 24 horas

Configure la hora para que se muestre en un formato de 12 o 24 horas.

Idioma

Puede configurar el idioma para la visualización en pantalla..

1. Use ▲ ▼ para seleccionar Idioma, luego presione OK.

2. Use ▲ ▼ para seleccionar English (Canadá), English (Estados Unidos), Español o Français y luego presione OK.

Teclado

Realice la configuración del teclado.

Almacenamiento

Almacenamiento compartido interno

Almacenamiento extraíble

Modo ambiente (marco de fotos digital)

Google TV te permite configurar tu televisor para que se desplace por Google Photos cuando no estés viendo nada.

Energía eléctrica

Comportamiento de encendido

Seleccione la pantalla para comenzar cuando encienda el televisor.

Elenco

Transmitir a Google TV

Puede transmitir contenido desde teléfonos, tabletas o computadoras portátiles a su Google TV.

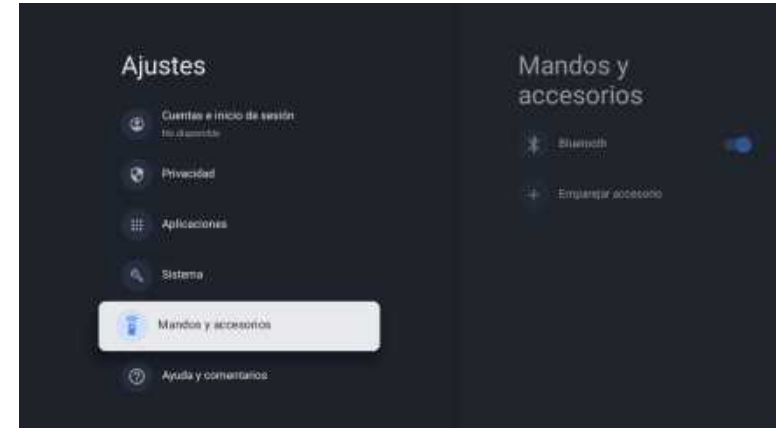
Reiniciar

Simplemente hace que la TV se apague y se vuelva a encender. Se mantendrán todos sus ajustes. Si desea eliminar todas las configuraciones del televisor, restablezca los valores de fábrica. Configuración > Sistema > Acerca de > Restablecer > Restablecimiento de fábrica

*Esto restaurará su dispositivo a la configuración predeterminada y borrará todos los datos, cuentas, archivos y aplicaciones descargadas.

Remotos & Accesorios

Puede conectar varios dispositivos Bluetooth, como auriculares o controladores de juegos, a su Google TV. Solo puede conectar un dispositivo de audio a la vez.



Emparejar un dispositivo Bluetooth

1. Desde la pantalla de inicio de Google TV, en la parte superior derecha, ve a la imagen de perfil o inicial y selecciona Configuración > Control remoto y accesorios > Vincular accesorio.
2. Asegúrese de que su dispositivo esté en modo de emparejamiento o sea visible para otros dispositivos.
3. Identifique el dispositivo que desea emparejar de la lista y selecciónelo.
4. En la pantalla de solicitud de emparejamiento de Bluetooth, seleccione Emparejar.

Nota(s)

Los accesorios que se han emparejado con su dispositivo aparecen en la sección Control remoto y accesorios de Configuración. También puede cambiar el nombre u olvidar los dispositivos.

Reconectar un dispositivo emparejado

1. Desde la pantalla de inicio de Google TV, en la parte superior derecha, ve al ícono de perfil y selecciona Configuración > Control remoto y accesorios.
2. En "ACCESORIOS", elija su dispositivo.
3. Seleccione Conectar.

Solucionar problemas con la conexión de dispositivos Bluetooth

Si su dispositivo Bluetooth no se conecta, podría ser un problema con el dispositivo Bluetooth o su televisor.

Solucionar problemas de conexión

1. Apague su dispositivo Bluetooth y luego vuelva a encenderlo. Después de reiniciar su dispositivo, intente vincularlo nuevamente.
2. Si tiene varios dispositivos emparejados con su televisor, desconecte los que no esté usando.
3. Desenchufe su televisor durante 10 segundos y luego vuelva a enchufarlo. Cuando su televisor esté encendido, intente emparejarlo nuevamente.
4. Compruebe si su dispositivo Bluetooth se conecta a otros dispositivos, como un teléfono o una tableta.

A. Si su dispositivo se conecta a otros dispositivos: Restablezca su dispositivo Google TV a la configuración de fábrica.

B. Si su dispositivo no se conecta a otros dispositivos: Verifique que su dispositivo Bluetooth tenga el software actualizado u obtenga ayuda del fabricante del dispositivo.

Lea antes de utilizar las Apps

(*Términos y condiciones de las aplicaciones)

- Debido a las características del aparato que se indican en la tienda de las aplicaciones, así como a las limitaciones en el contenido disponible, es posible que ciertas aplicaciones y servicios destacados no se encuentren disponibles en todos los dispositivos o en todos los territorios. Algunas aplicaciones existentes también pueden llegar a requerir tarifas adicionales de dispositivo periférico o membresía. Los servicios y la disponibilidad de dicho contenido se encuentran sujetos a cambios sin previo aviso.
- El fabricante no asume responsabilidad legal alguna por cualquier interrupción debida a cualquier motivo en los servicios de la aplicación que haya sido causada por el proveedor de servicios.
- Una conexión a Internet inestable puede llegar a causar retrasos o interrupciones. Además, las aplicaciones pueden llegar a cerrarse de forma automática dependiendo del entorno de red.
- Es posible que los servicios y la actualización de las aplicaciones no se encuentren disponibles.
- El contenido de la aplicación está sujeto a cambios sin previo aviso por parte del proveedor de servicios.
- Los servicios específicos pueden llegar a diferir con la versión de la aplicación instalada en el televisor.
- La funcionalidad de una aplicación puede llegar a cambiar en sus versiones futuras.
- Dependiendo de la política del proveedor o proveedores de servicios a terceros, es posible que ciertas aplicaciones no admitan multitarea.
- La respuesta a las funciones remotas y las visualizaciones resultantes en pantalla pueden llegar a retrasarse mientras se carga una página web.
- Las operaciones de copiado y pegado no son admitidas.
- La velocidad de navegación web diferirá con el entorno de red.
- Dependiendo del tipo de códec de vídeo/audio admitido, es posible que no sea posible reproducir ciertos archivos de vídeo y audio mientras se reproduce contenido.
- La tienda de aplicaciones tiene ciertas limitaciones. Contiene infinidad de aplicaciones ya incorporadas para resolver las diferentes necesidades del usuario, pero éste no tiene la capacidad de añadir otras aplicaciones de otros medios.

Resolución de Problemas

Si tiene algún problema, verifique las contramedidas para cada síntoma que se enumeran a continuación. Los siguientes síntomas pueden haber sido causados por un ajuste inadecuado en lugar de un mal funcionamiento real del aparato. Si el problema persiste, por favor póngase en contacto con el centro del servicio de atención al cliente.

Síntomas	Posibles soluciones
No hay alimentación	Compruebe que el cable de alimentación y la toma de corriente funcionen correctamente. Desconecte el cable de alimentación, transcurridos 60 segundos vuelva a conectarlo y, a continuación, reinicie su televisor.
No se ve ninguna imagen	Compruebe la conexión de la antena. La estación puede llegar a experimentar problemas, sintonice otra estación. Por favor, ajuste la configuración de contraste y brillo.
Buena imagen pero sin sonido	Por favor, aumente el volumen. Compruebe que su televisor se encuentre en modo silencioso, pulse el botón MUTE del mando a distancia. Compruebe la configuración de sonido. Si utiliza dispositivos externos, compruebe que sus selectores de volumen no estén demasiado bajos o apagados. Si utiliza entradas AVI o por componente, asegúrese de que los cables se encuentren debidamente conectados y que no estén sueltos. Si utiliza un cable de DVI a HDMI, necesitará adicionalmente un cable de audio. Asegúrese de que ningún conector para auriculares se encuentre conectado.
Buen sonido pero color anormal sin imagen	Compruebe la conexión y el estado de la antena. Si utiliza la entrada por componentes, compruebe el estado de sus conexiones. Una conexión incorrecta o floja pueden llegar a causar problemas en los colores o hacer que la pantalla se vuelva blanca.
Sin respuesta al mando a distancia	Puede que las baterías del mando a distancia se encuentren agotadas. En caso necesario, sustitúyalas por unas nuevas. Limpie la lente del mando a distancia. La distancia entre el televisor LED y el mando a distancia debe ser inferior a 8 m, el campo de acción debe encontrarse dentro del ángulo de funcionamiento recomendado y la trayectoria debe estar libre de obstáculos.
Los puntos de colores pueden estar presentes en la pantalla	Aunque las pantallas LED están hechas a partir de una tecnología de alta precisión y el 99.99% de los píxeles resultan ser efectivos, pueden llegar a aparecer puntos negros o puntos de luz brillantes (rojos, azules o verdes) de forma constante en las pantallas. Esta es una propiedad estructural de las pantallas LED y, por tanto, no constituyen un problema real de funcionamiento.
La imagen se ve alterada	Mantenga el televisor alejado de fuentes de ruido electromagnético tales como automóviles, secadores de pelo, soldadores y cualquier otro tipo de equipo opcional. Las interferencias electromagnéticas atmosféricas, tales como tormentas eléctricas locales o distantes pueden llegar a hacer que la imagen se vea alterada. Al instalar equipos opcionales, deje algo de espacio entre el equipo opcional y el televisor. Compruebe la antena y las conexiones. Mantenga la antena alejada de cualquier cable de alimentación o de entrada/salida.

Síntomas	Posibles soluciones
Tras realizar el ajuste automático, solo algunos canales se encuentran disponibles	Verifique que su zona esté cubierta por transmisiones de video digital. Intente resintonizar o ajustar manualmente los canales que faltan. Compruebe que esté utilizando el tipo de antena correcto.
No se pueden seleccionar los canales	Compruebe que los canales no hayan sido bloqueados en la configuración del menú principal.
No se reproduce a través de USB	Compruebe que el cable de conexión USB y la fuente de alimentación se encuentren conectados. El disco duro no ha sido formateado. Asegúrese de que el disco USB sea compatible y que los formatos de los datos multimedia también sean compatibles. El disco USB solo es compatible con el formato FAT32.
La imagen se ve distorsionada, a cuadros grandes o pequeños, punteada, pixelada, etc.	La compresión de contenidos de video puede llegar a causar distorsiones, especialmente en imágenes con movimiento rápido, como p. ej. deportivas y de acción.
Ruido en los altavoces	Compruebe las conexiones en los cables, asegúrese de que los cables de vídeo no estén conectados a las entradas de audio. Un bajo nivel de señal puede llegar a causar distorsiones en el sonido.
El televisor se apaga automáticamente	Compruebe que el temporizador de apagado se encuentre activado en el menú de configuración. Es posible que el temporizador de apagado se encuentre habilitado. Si el televisor no recibe señal a través de una entrada durante 10 minutos se apagará.
El televisor se enciende automáticamente	Compruebe que el temporizador de encendido se encuentre activado en el menú de configuración.
La imagen no se muestra en pantalla completa	Los canales en HD mostrarán franjas negras en cada lado cuando muestren contenido SD (4:3). Las películas con diferentes relaciones de aspecto que su televisor mostrarán franjas negras en la parte superior e inferior. Ajuste la opción de tamaño de imagen en su dispositivo externo o televisor a pantalla completa.

ADVERTENCIA

No coloque nunca el televisor en un lugar que sea inestable. El televisor puede llegar a caerse, causando lesiones personales graves o incluso la muerte. Muchas lesiones, particularmente en niños, pueden llegar a evitarse tomando precauciones simples tales como:

- utilizar armarios o soportes recomendados por el fabricante del televisor. - utilizar únicamente muebles que puedan soportar con seguridad el televisor.
- asegurar que el televisor no sobresalga del borde del mueble soporte.
- no colocar el televisor sobre muebles altos (como p. ej. en armarios o estanterías) sin anclar tanto el mobiliario como el televisor a un soporte adecuado.
- no colocar el televisor sobre telas u otros materiales que puedan estar ubicados entre el televisor y el mueble soporte.
- educar a niños sobre los peligros de subirse a muebles para alcanzar el televisor o sus controles.

Si su televisor está siendo guardado o reubicado, deben aplicarse las mismas consideraciones que las anteriores.

El acoplador del enchufe o el aparato debe utilizarse como dispositivo de desconexión, el dispositivo de desconexión debe permanecer fácilmente operable.

Advertencia FCC

El dispositivo cumple con la parte 15 de las normas FCC. El funcionamiento debe cumplir las dos condiciones siguientes: 1) El equipo no puede causar interferencias perjudiciales, y 2) El equipo debe aceptar cualquier interferencia recibida, incluidas las que puedan dar lugar a operaciones no deseadas.

Los cambios o modificaciones que no hayan sido expresamente aprobados por la parte responsable del cumplimiento pueden dar derecho al usuario a operar el equipo.

Nota: de conformidad con la parte 15 de las normas FCC, este equipo ha sido probado para cumplir los límites de los dispositivos digitales de clase B. Estas restricciones tienen por objeto proporcionar una protección razonable contra las perturbaciones perjudiciales en las instalaciones residenciales. El equipo genera energía de radiofrecuencia utilizable y irradiable que, si no se instala y utiliza de conformidad con las instrucciones, puede causar interferencias perjudiciales en las comunicaciones por radio. Sin embargo, no hay garantía de que no haya interferencia en una instalación en particular. Si el dispositivo causa una interferencia perjudicial en la recepción de radio o televisión, puede determinarse apagando y encendiendo el dispositivo y se recomienda que el usuario intente corregir la interferencia mediante una o más de las siguientes medidas:

- Reorientar o reubicar la antena receptora.
- Aumenta la distancia entre el dispositivo y el receptor.
- Conectar dispositivos a diferentes
- El receptor está conectado.
- Consulte a su distribuidor o a un técnico de radio / televisión experimentado para obtener asistencia.

Declaración de exposición a la radiación

El equipo cumple los límites de exposición a la radiación establecidos por la FCC para entornos no controlados. La distancia entre el radiador y el cuerpo debe ser de al menos 20 cm al instalar y operar el equipo.

Garantía

Gracias por comprar este producto Sylvox. Nos complace ofrecer 12 meses de garantía gratuita para usted. Si tiene alguna pregunta, por favor, póngase en contacto con nosotros a través de nuestro correo electrónico postventa o sitio web para obtener ayuda.

Correo electrónico postventa:

Preventa: support@sylvoxtv.com

Servicio post-venta: service@sylvoxtv.com

Comercialización: marketing@sylvoxtv.com

Website: www.sylvoxtv.com

Línea directa: +1(833)379-5869 (du lundi au vendredi, de 9 h à 17h, heure de Paris)

Política de garantía

- (1) Al devolver un artículo, tenga en cuenta lo siguiente:
 1. Solo podrán ser devueltos artículos comprados directamente a www.sylvoxtv.com y a revendedores autorizados, como Amazon, Walmart, Newegg, Wayfair, Aliexpress, etc.
 2. No aceptaremos ninguna solicitud de devolución de productos comprados a proveedores externos no autorizados.
 3. El cliente debe ponerse en contacto con el proveedor original con su ID de pedido o comprobante de compra y el detalle del problema del producto a través de service@sylvoxtv.com solicitar una devolución/reembolso/reparación/reemplazo antes de devolver los productos. Sylvox le proporcionará la etiqueta de envío por correo.
 4. Sylvox es responsable de todos los gastos de envío de devolución por problemas de calidad.
 5. Si no hay razón para devolver el producto después de la instalación y el uso, Sylvox tendrá derecho a cobrar tarifas de reposición del 20% del valor del producto, (solo aceptará solicitudes sin motivo de devolución dentro de los 7 días posteriores a la llegada, y los costes del flete serán responsabilidad del cliente).
 6. Asegúrese de que los artículos que esté devolviendo se vuelvan a empaquetar en las condiciones originales con toda la documentación y los accesorios que vengan con él.
 7. Si el producto devuelto no se encuentra en su embalaje original: cualquier daño que afecte a una segunda venta, como p. ej. una daño en su aspecto, la falta de accesorios, etc., descontaremos los correspondientes gastos según la situación.
 8. Manejaremos su solicitud una vez que recibamos su artículo devuelto.
- (2) ¿Cómo devolver un producto para su reembolso? (30 días de garantía de devolución del dinero)
Para devolver un artículo a Sylvox, por favor póngase en contacto con el equipo de Sylvox en service@sylvoxtv.com para enviar una solicitud postventa. Le proporcionaremos la etiqueta de envío por correo. Incluya su número de pedido original o prueba de pedido en el correo electrónico y asegúrese de que el artículo se devuelva en 30 días. No se emitirán reembolsos hasta que el artículo sea recibido en su embalaje original (con su documentación y accesorios).
- (3) Reembolsos
Una vez que recibamos y verifiquemos el estado de su producto, se iniciará el proceso de reembolso. La forma en que se procese su reembolso dependerá de su forma de pago original. Para las tarjetas de crédito o débito, los reembolsos se devolverán al banco emisor de la tarjeta dentro de los 7-10 días hábiles posteriores a la recepción del artículo devuelto. Por favor, póngase en contacto con el banco emisor de la tarjeta si tiene preguntas sobre cuándo se registrará el crédito en su cuenta.
- (4) ¿Qué no cubre la garantía?
 - (a) Un uso incorrecto y una reparación inadecuada por parte del usuario que causan el fallo o daño del aparato.
Fallo o daño causado por el transporte, la mudanza y la caída del producto después de la compra. Otros factores externos inevitables que producen fallos y daños.
Uso inadecuado del equipo causado por agua u otra solución de daño.
Fallo causado por un rayo u otras razones del sistema eléctrico
Daños causados por el uso de una fuente de alimentación que no sea del voltaje especificado.

Período de Garantía:

- * Sylvox repara el televisor de forma gratuita bajo la condición del uso normal del manual de instrucciones en 12 meses.
- * Sylvox garantiza que este producto cumple con las especificaciones del fabricante y que esta libre de defectos en materiales y mano de obra en caso de que ocurra algún defecto.
- * Sylvox corregirá el defecto de acuerdo con las siguientes condiciones:
 - (a) Cualquier defecto causado o reparaciones requeridas como resultado de la operación abusiva, negligente o accidental, daños en el envío, entrega e instalación inadecuadas, aplicación y uso para los cuales este producto no fue diseñado como se establece en el manual del usuario u otra documentación del producto aplicable.
 - (b) Cualquier defecto causado o reparaciones requeridas como resultado de cualquier producto que haya sido manipulado, modificado, ajustado o reparado por cualquier persona que no sea Sylvox, un proveedor de servicios autorizado de Sylvox o un centro de servicio o distribuidor autorizado de Sylvox.
 - (c) Cualquier reemplazo de accesorios, cristalería, consumible o artículo periférico requerido a través del uso normal del producto, incluidos, entre otros, auriculares, mando a distancia, baterías, etc.
 - (d) Any aesthetic damage to the surface or exterior of the product, including but not limited to damage caused by deformations or caused by normal wear, improper shipping and handling, or the use of chemical cleaning agents.
 - (e) Cualquier defecto causado o reparaciones requeridas como resultado de daños causados por cualquier condición externa o medioambiental, incluidos, entre otros, el uso de un voltaje incorrecto, fluctuaciones o sobretensiones en el voltaje de la línea de transmisión/línea eléctrica, derrame de líquidos o actos de la naturaleza o Dios.
 - (f) Reclamaciones de garantía acerca de productos devueltos con el modelo alterado, ilegible o equivocado, el número de serie de fábrica y las marcas UL.
 - (g) Cualquier producto utilizado para alquiler, negocio o comercio.
 - (h) Cualquier instalación, instrucción al consumidor, entrega, configuración, ajuste y/o cargos de programación.
 - (i) Un producto que no se instala siguiendo las instrucciones de instalación se incluye con el producto.
 - (j) Cualquier problema de recepción de señal (incluidos problemas relacionados con la antena), imágenes "quemadas" en la pantalla, ruido o eco de la señal, interferencia u otros problemas de transmisión o entrega de señal, disponibilidad de servicios o contenido proporcionados por terceros (incluidos, entre otros, contenido de imagen, audio o video).

Ninguna otra entidad que no sea Sylvox está autorizada a extender, ampliar o transferir esta garantía en nombre de Sylvox.

Las garantías expresas en esta garantía limitada son, en lugar de y, excepto en la medida en que lo prohíba la ley aplicable, Sylvox renuncia a todas las demás garantías y condiciones, expresas o implícitas, ya sea que surjan por ley, estatuto, por curso de negociación o uso del comercio, incluidas, entre otras, las garantías o condiciones implícitas de todas las reclamaciones, ya sea que se basen en un contrato, negligencia, responsabilidad estricta o de otro tipo. Algunos estados no permiten la exclusión o limitación de daños incidentales o consecuentes, por lo que la limitación o exclusión anterior puede que no se le aplique.
Para cualquier pregunta, ¡por favor no dude en ponerse en contacto con nosotros a través de service@sylvoxtv.com en cualquier momento!