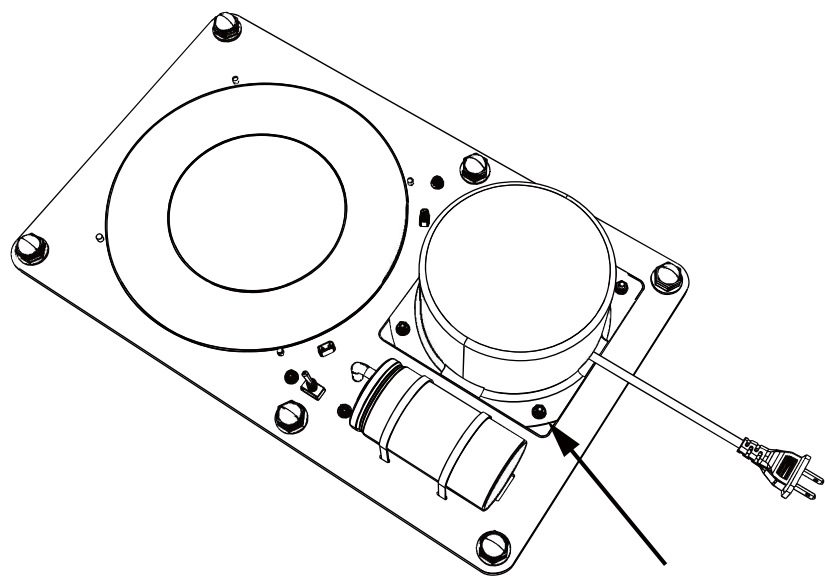


特斯拉的哥伦布蛋

安装指南



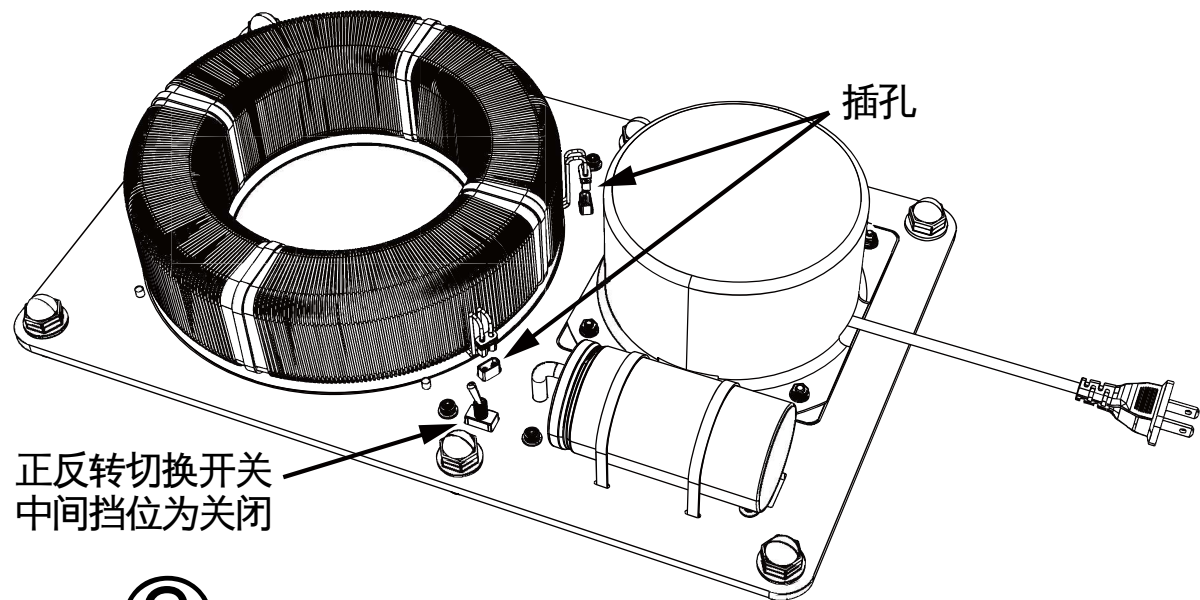
安装螺母(四个角)

蓝线

红线

预留孔

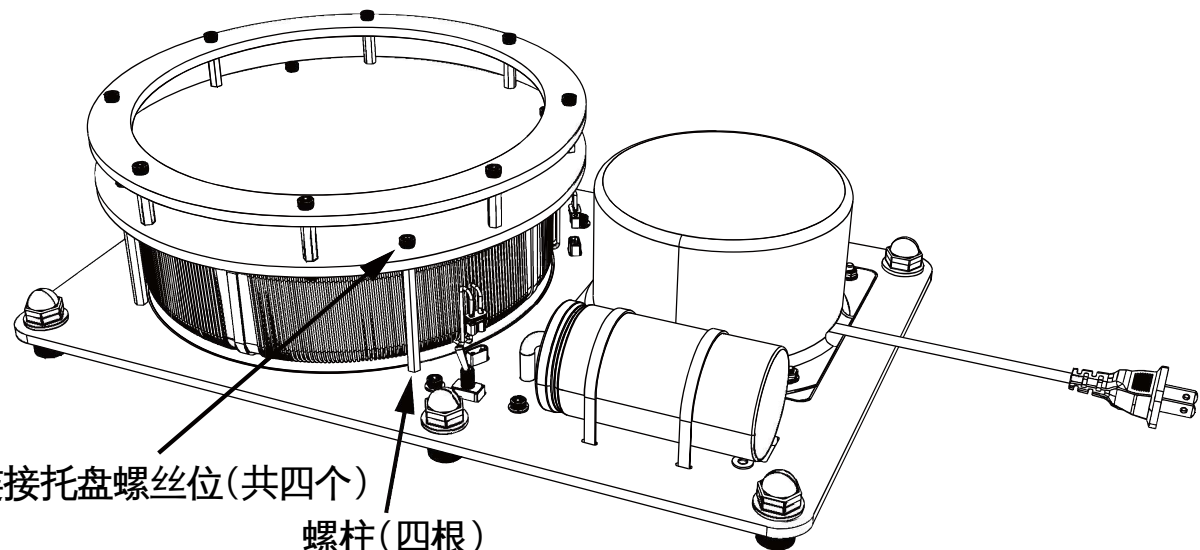
- ① 将变压器的线从底板的预留孔中穿过，装上螺母。然后将接头插入对应的插孔中。



正反转切换开关
中间挡位为关闭

插孔

- ② 将磁环放在标记区域，将接头插入对应插孔。



连接托盘螺丝位(共四个)

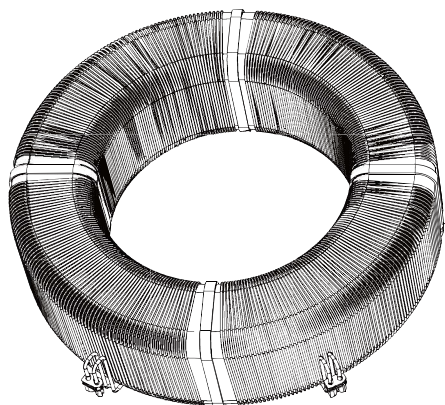
螺柱(四根)

- ③ 安装托盘，先将螺柱安装在底板上，然后安装托盘。

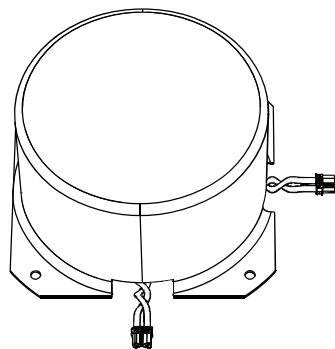
- ④ 安装完成后即可插入电源插座。接入电源后请勿触碰底板！

特斯拉的哥伦布蛋

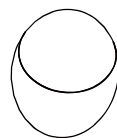
产品清单



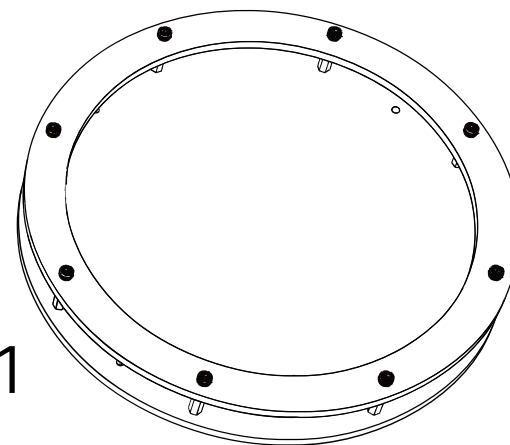
磁环 x1



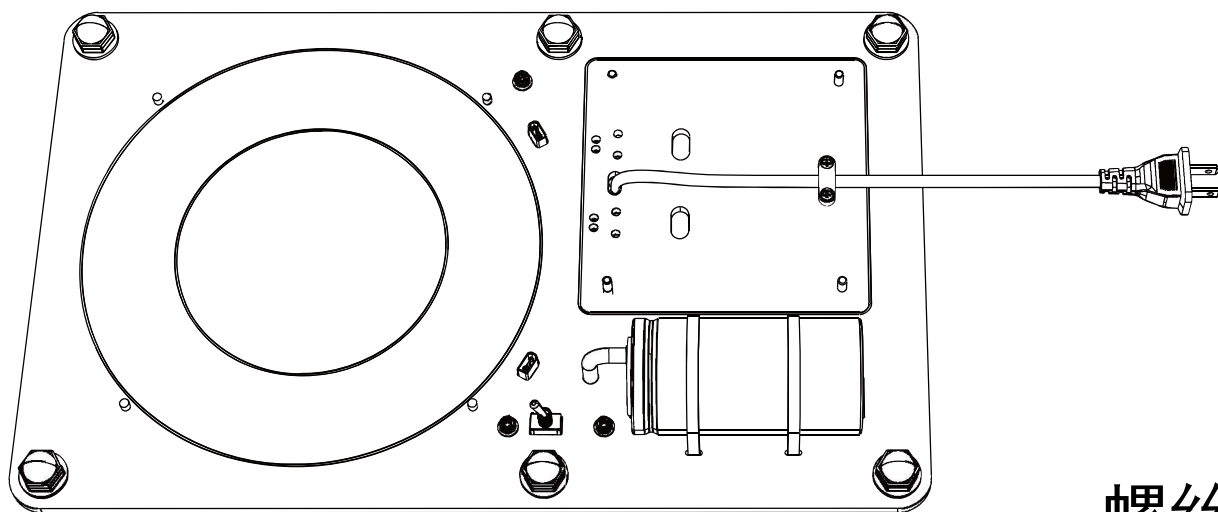
变压器 x1



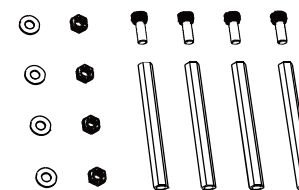
金属蛋 x1



亚克力托盘 x1



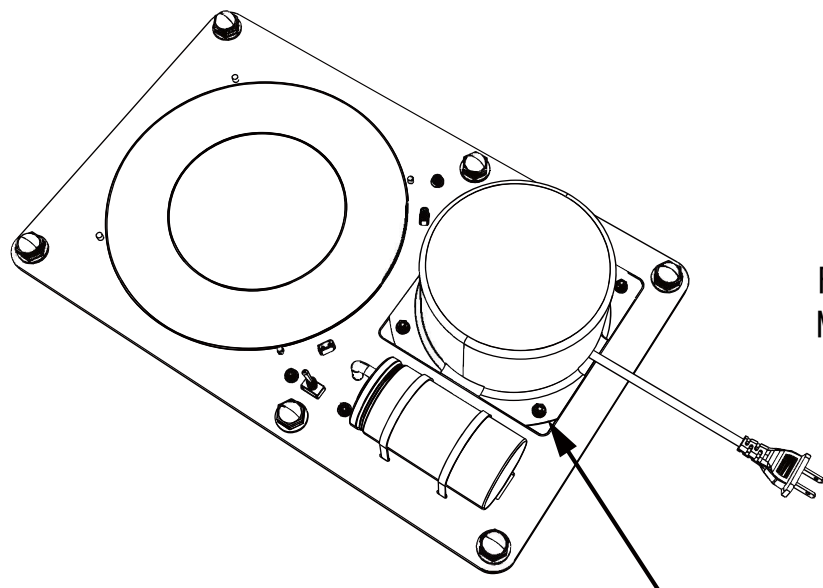
底板 x1



螺丝/螺母/垫片/螺柱 x4

Tesla's Egg

Installation Guide



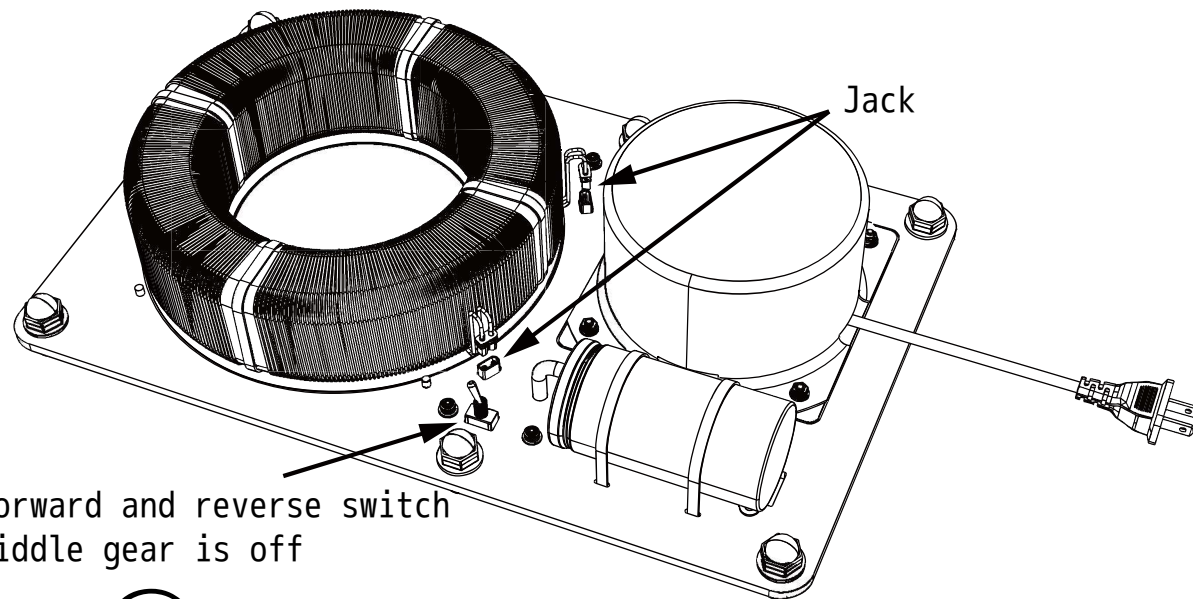
Mounting nuts (four corners)

Blue Line

Red Line

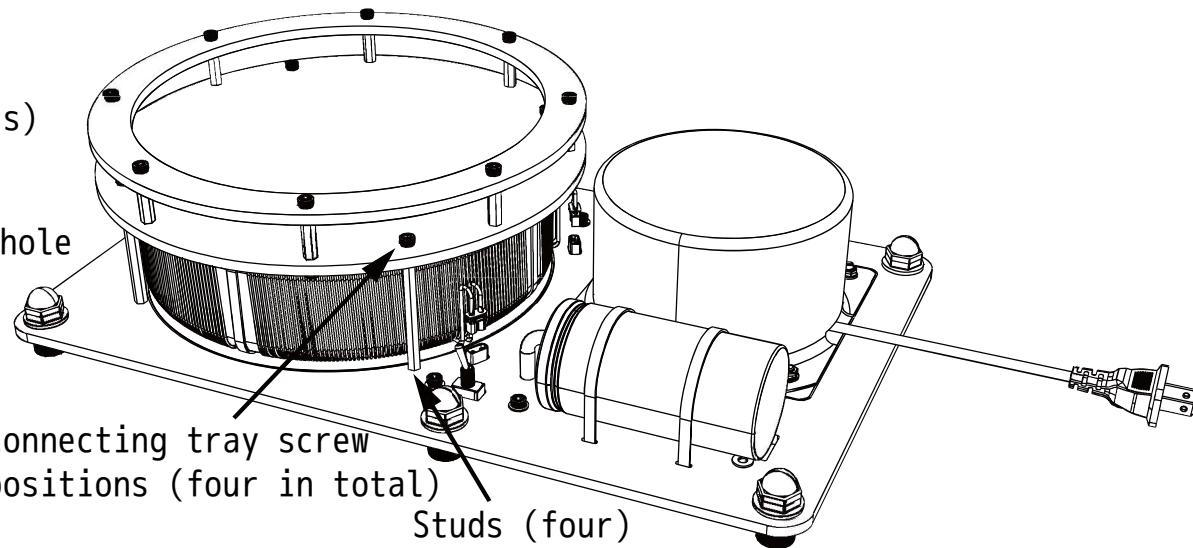
Reserved hole

- ① Pass the transformer wires through the reserved holes in the base plate and install the nuts. Then insert the connector into the corresponding jack.



Forward and reverse switch
Middle gear is off

- ② Place the magnetic ring in the marked area and insert the connector into the corresponding jack.



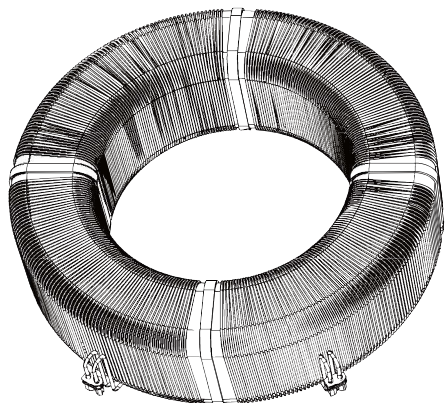
Connecting tray screw positions (four in total)

Studs (four)

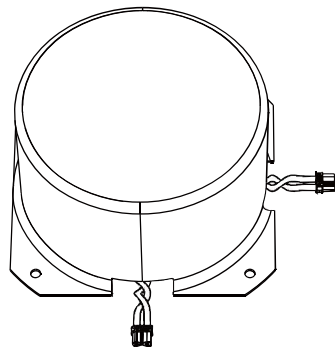
- ③ To install the pallet, install the stud on the base plate first, then install the pallet.
- ④ Once the installation is complete, you can plug into the power outlet. Do not touch the base plate after plugging in the power supply!

Tesla's Egg

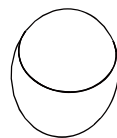
Product List



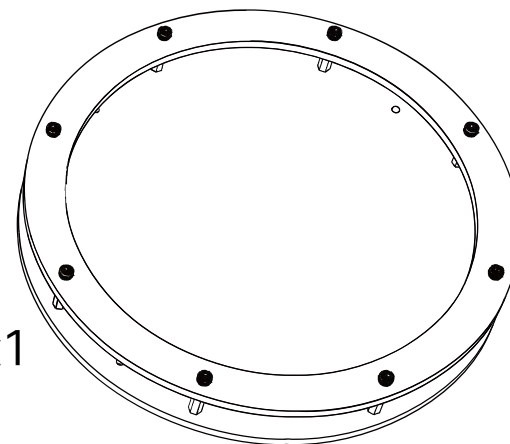
Magnetic Rings x1



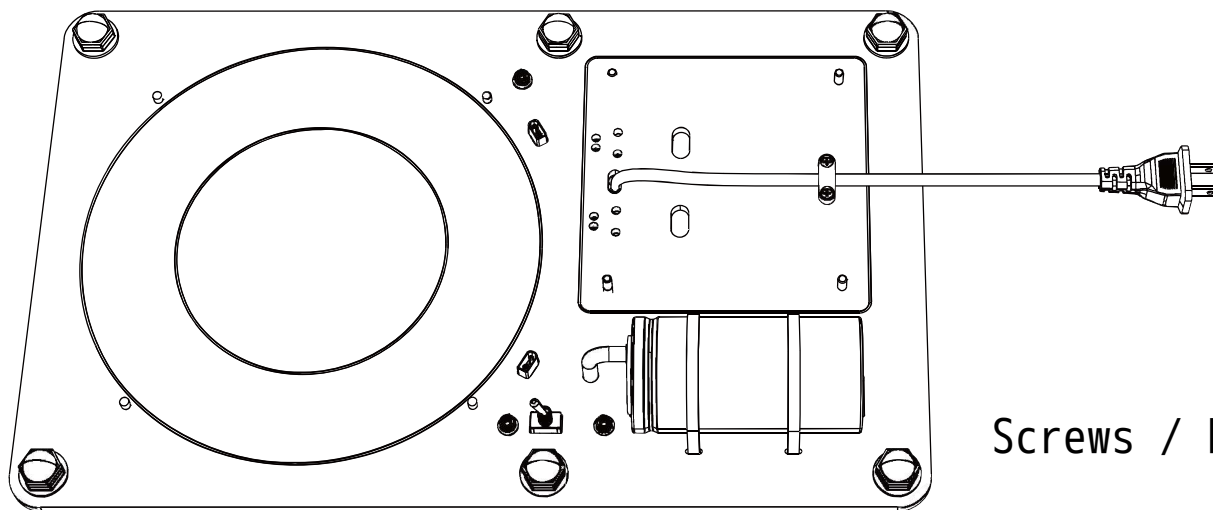
Transformer x1



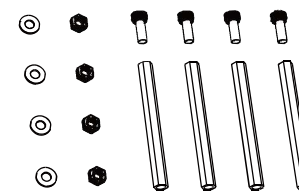
Metal egg x1



Acrylic tray x1



Base plate x1



Screws / Nuts / Spacers / Studs x4