

Sensor high level low level converter PLC signal PNP to NPN proximity photoelectric switch NPN to PNP



The parameters

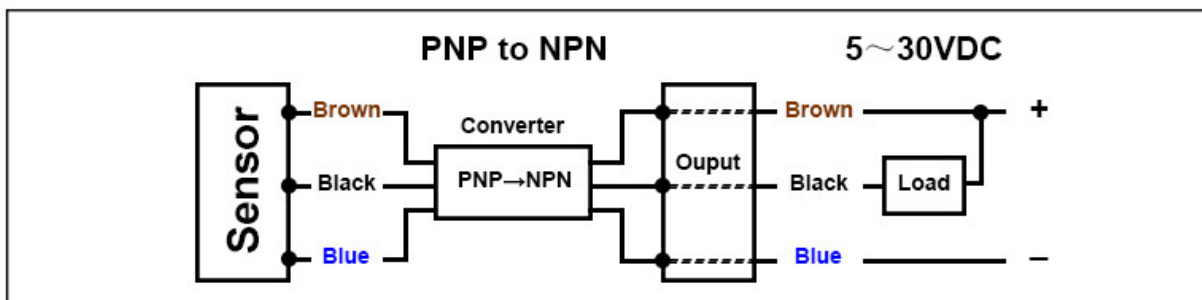
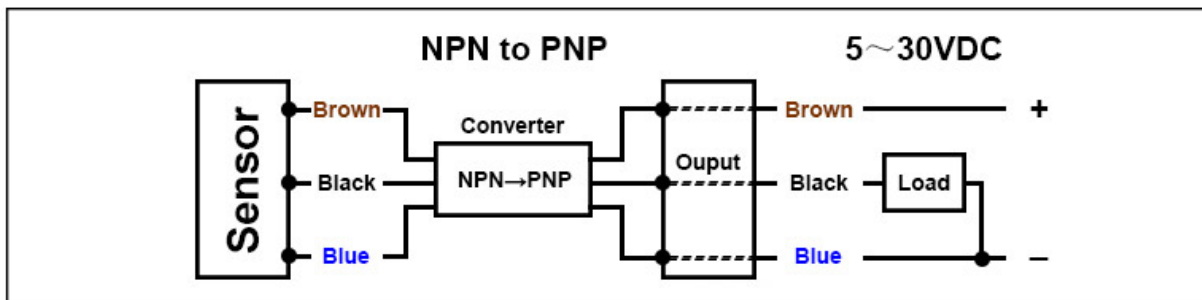
параметр

- ★ Support the number change of sensor signals output by various npn/npn
- ★ Support PLC high-low level conversion
- ★ Support control board level conversion

- ◆ The input or output side can supply power
- ◆ If the input and output are connected reversely, there will be no signal output (just re connect correctly)



Specifications	NPN to PNP	PNP to NPN
Action indicator	Power: Green LED Ouput: Red LED	
Voltage	5-30VDC	
Circuit protection	Polarity protection, surge protection, overcurrent protection, reverse connection protection	
Load current	300mA max	
Response time	1μs	
Operating temperature	-25℃~75℃	
Protection grade	IP67	
Connection type	3 Wire (Brown、 Blue、 Black) at both ends of the wire length 35cm	
Shell material	Stainless steel	





PNP to NPN

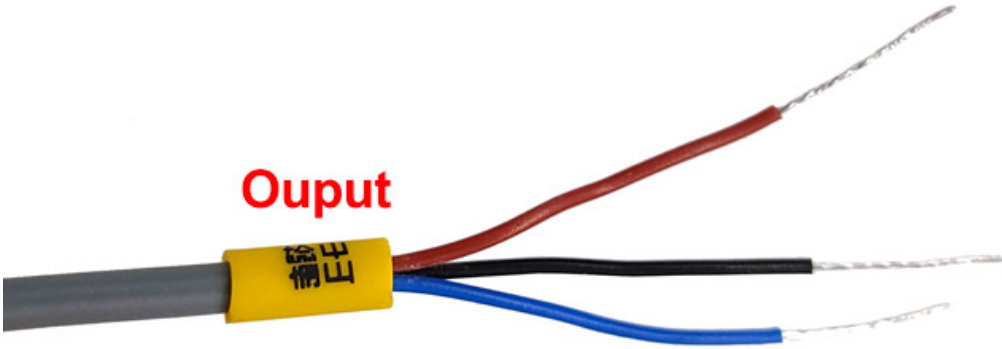


NPN to PNP

Input



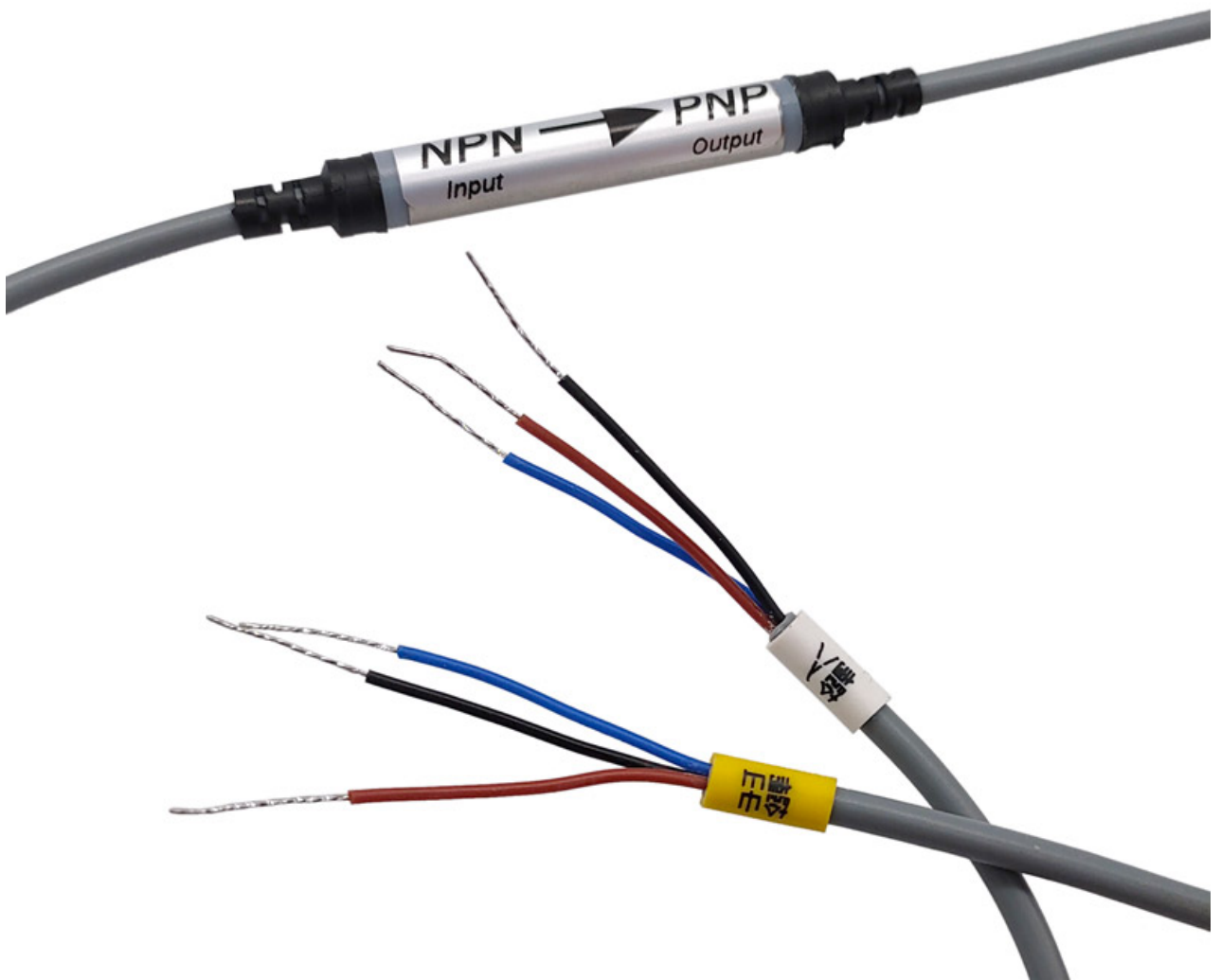
Output

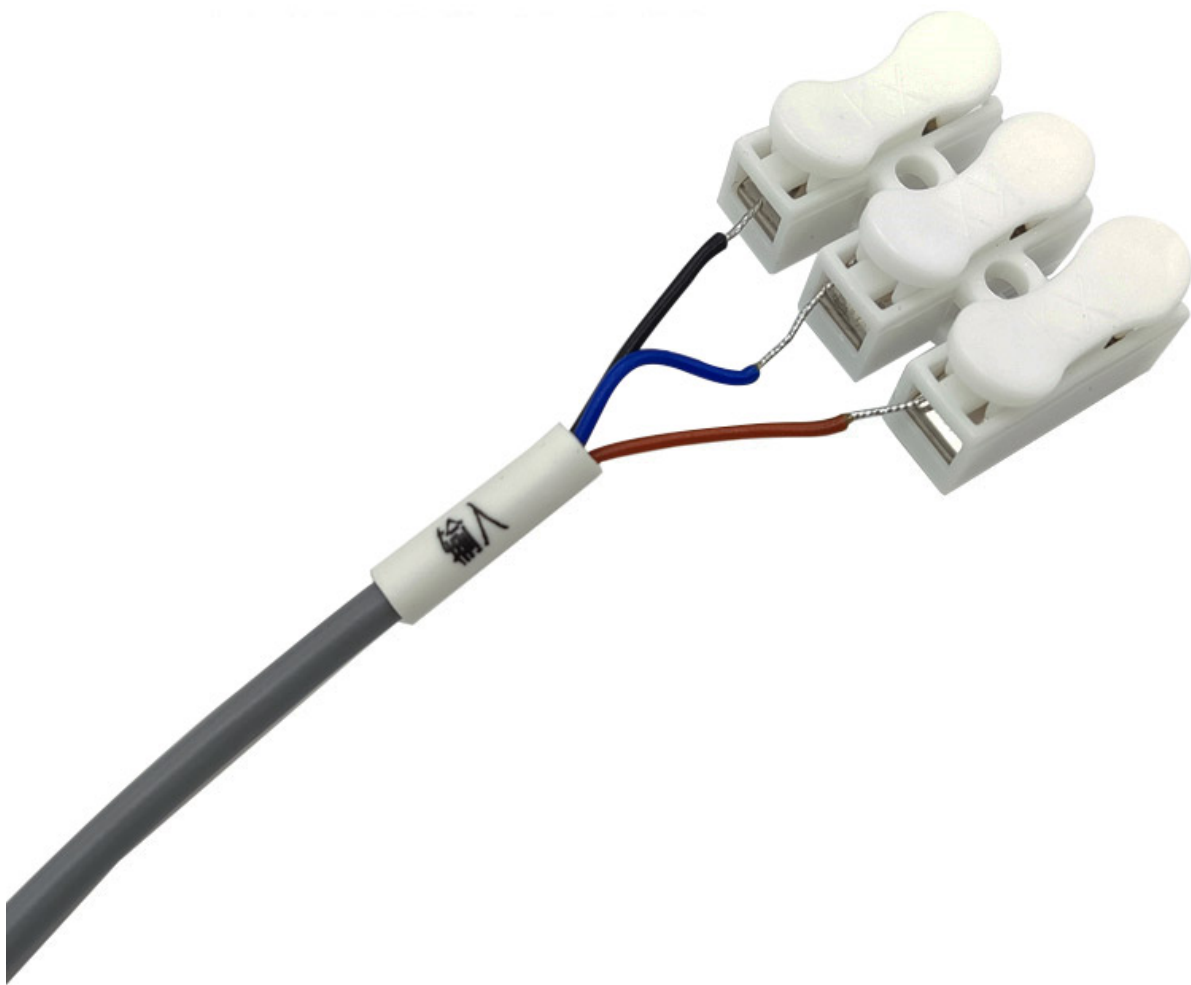


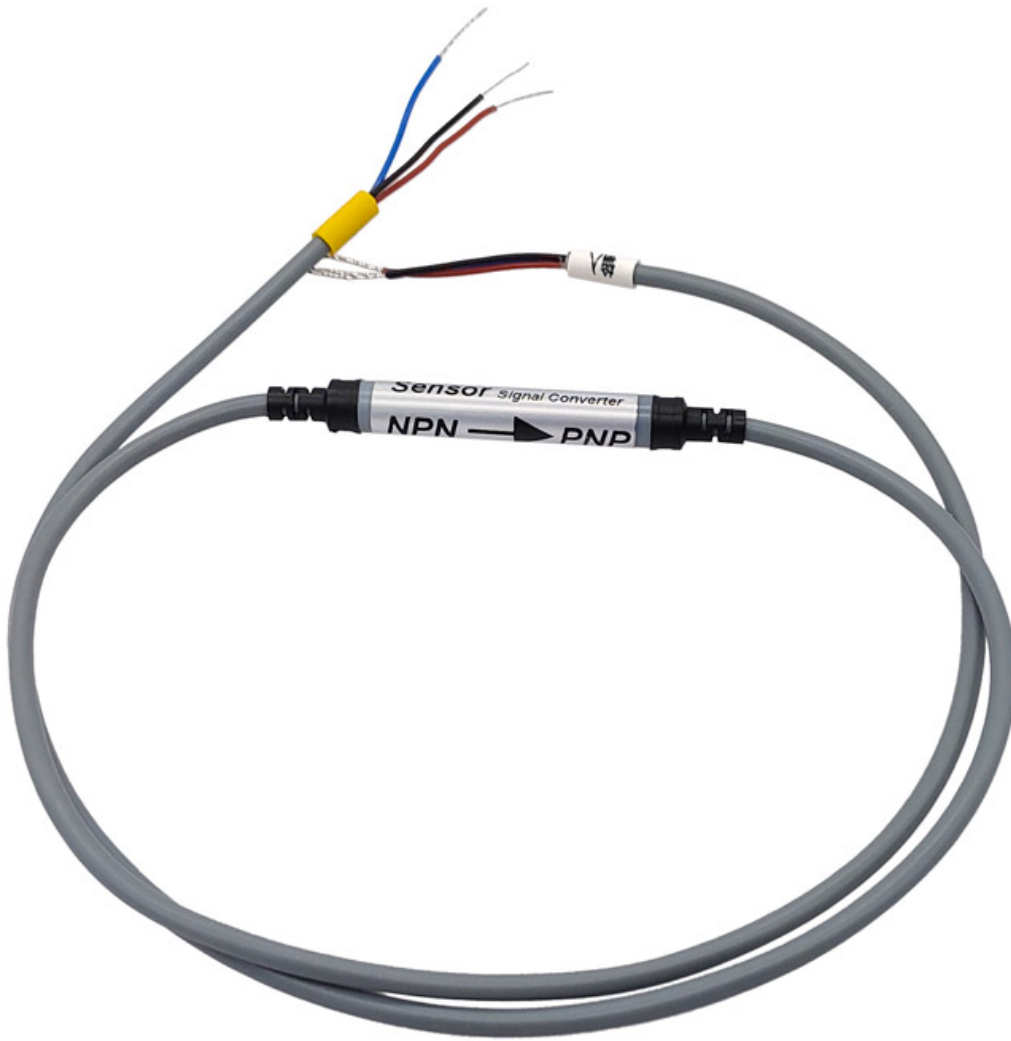


 **The Description** описание









Buyer tips

покупатель советы