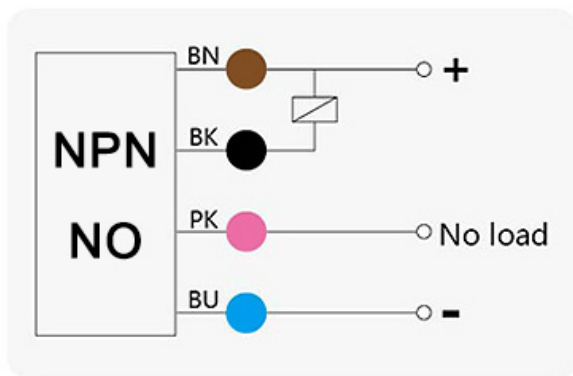


# Photoelectric Switch U-type Sensor Switch With 1m Cable EE-SX672-WR/671/670A/3/SX674P-WR Proximity Switch NPN PNP

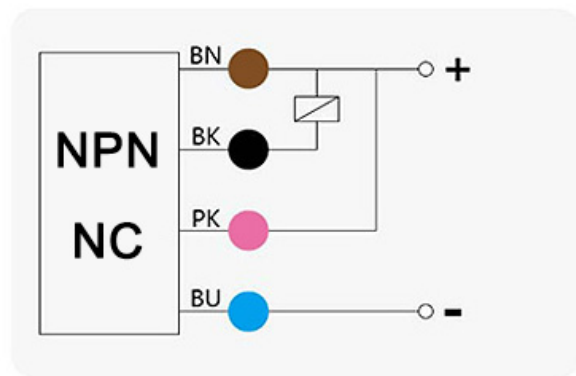
---

The default is a one meter line

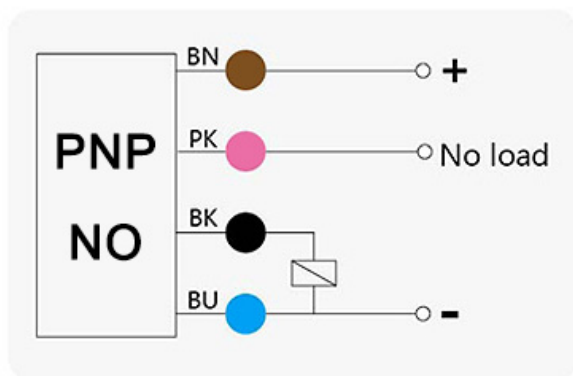
Pink line is normally closed line, and you can choose not to connect it  
If you want to use normally closed, connect pink line and brown line together



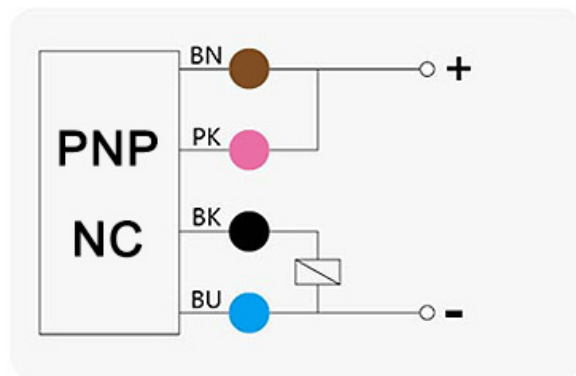
DC 5~24V  
Max: 35mA



DC 5~24V  
Max: 35mA



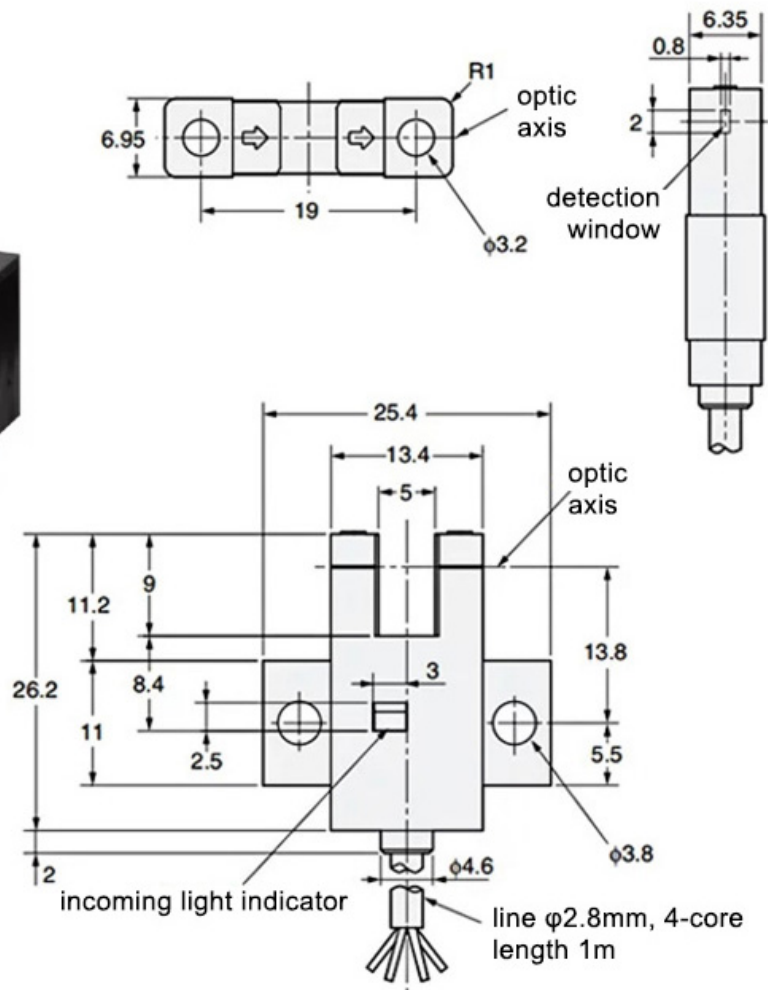
DC 5~24V  
Max: 30mA



DC 5~24V  
Max: 30mA

# EE-SX670-WR

NPN output  
Detection distance 5mm  
Light up when power is on  
Light off when items are detected  
Line length 1m  
NO and NC switchable



# EE-SX671-WR

NPN output

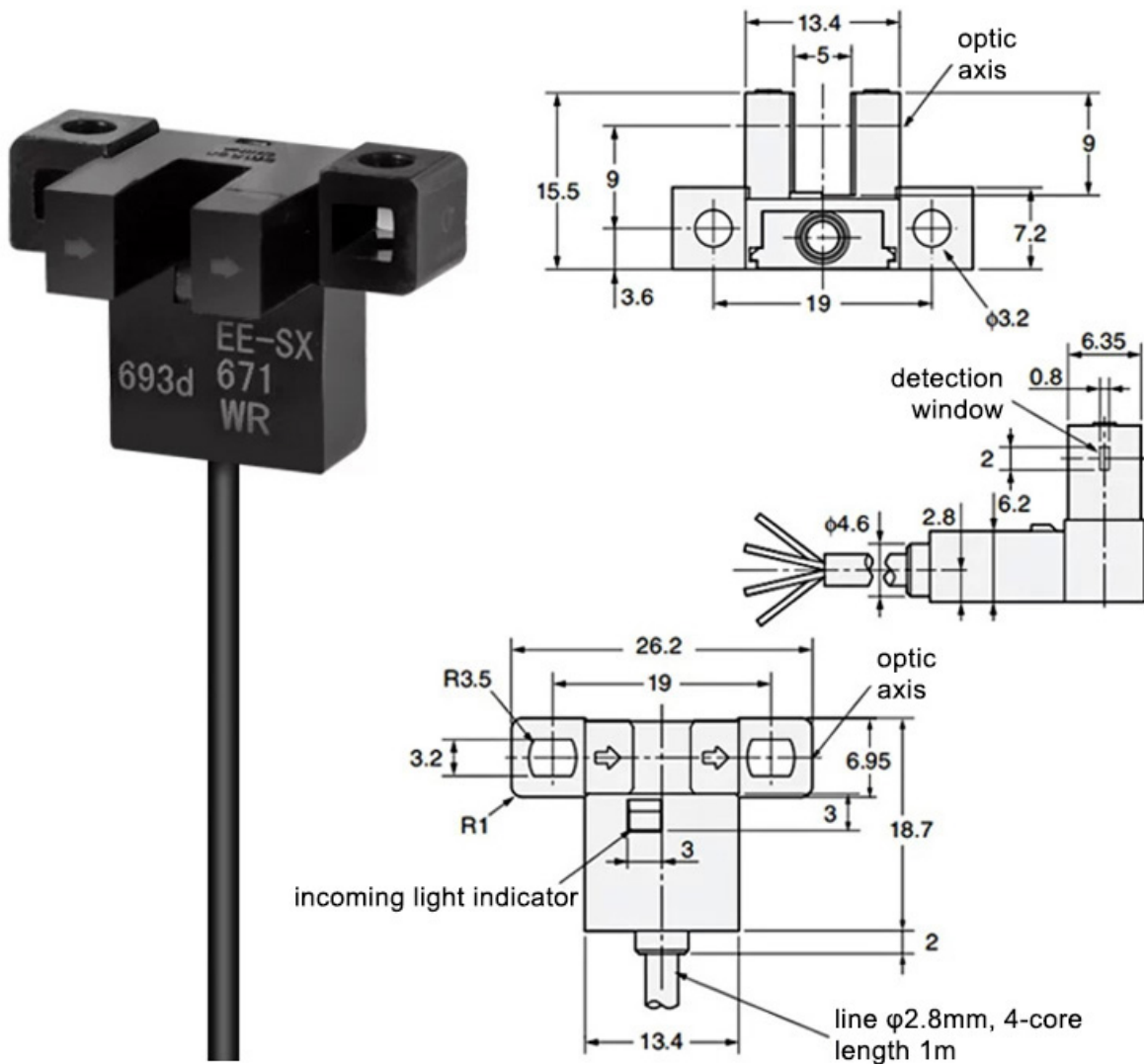
Detection distance 5mm

Light up when power is on

Light off when items are detected

Line length 1m

NO and NC switchable



# EE-SX672-WR

NPN output

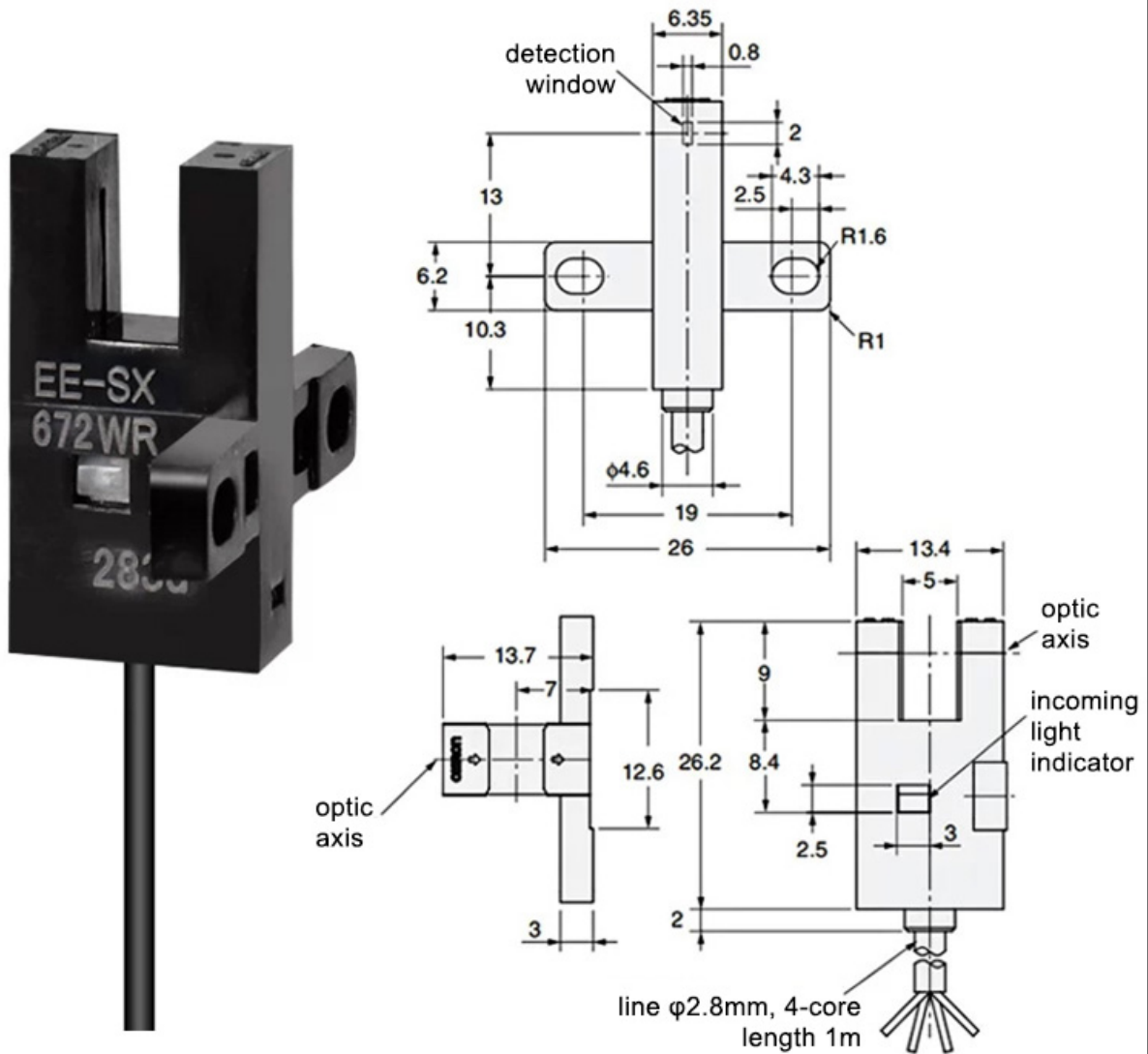
Detection distance 5mm

Light up when power is on

Light off when items are detected

Line length 1m

NO and NC switchable



# EE-SX673-WR

NPN output

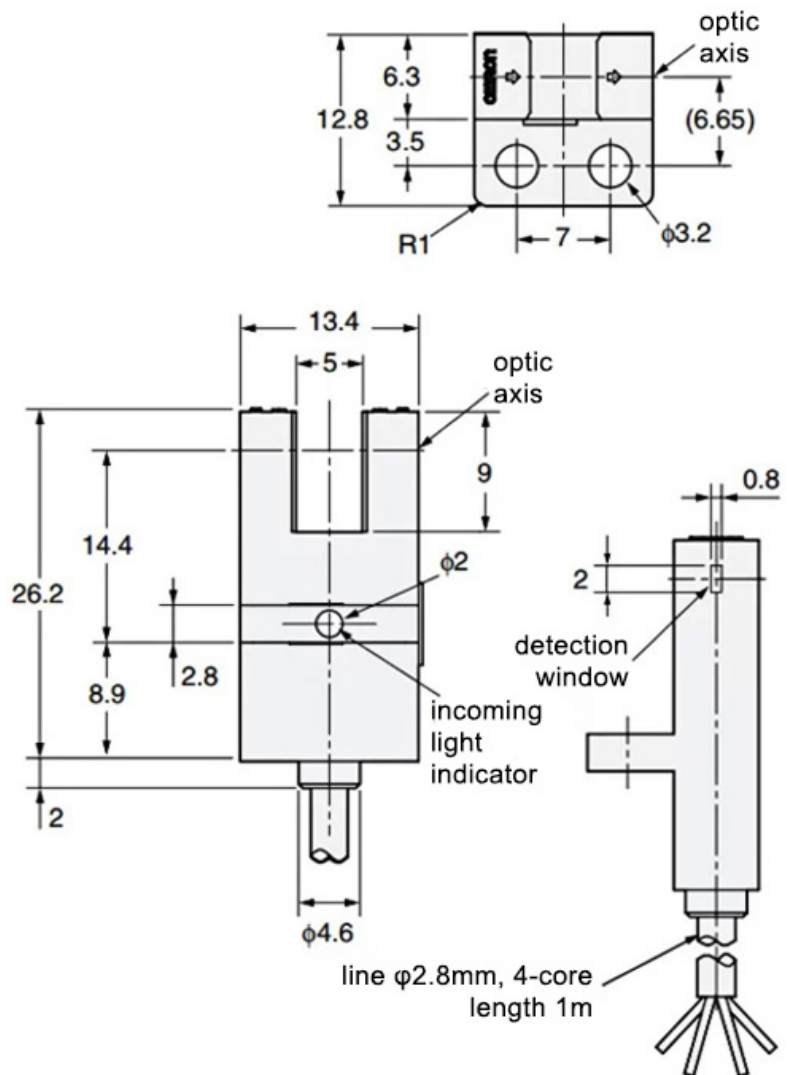
Detection distance 5mm

Light up when power is on

Light off when items are detected

Line length 1m

NO and NC switchable



# EE-SX674-WR

NPN output

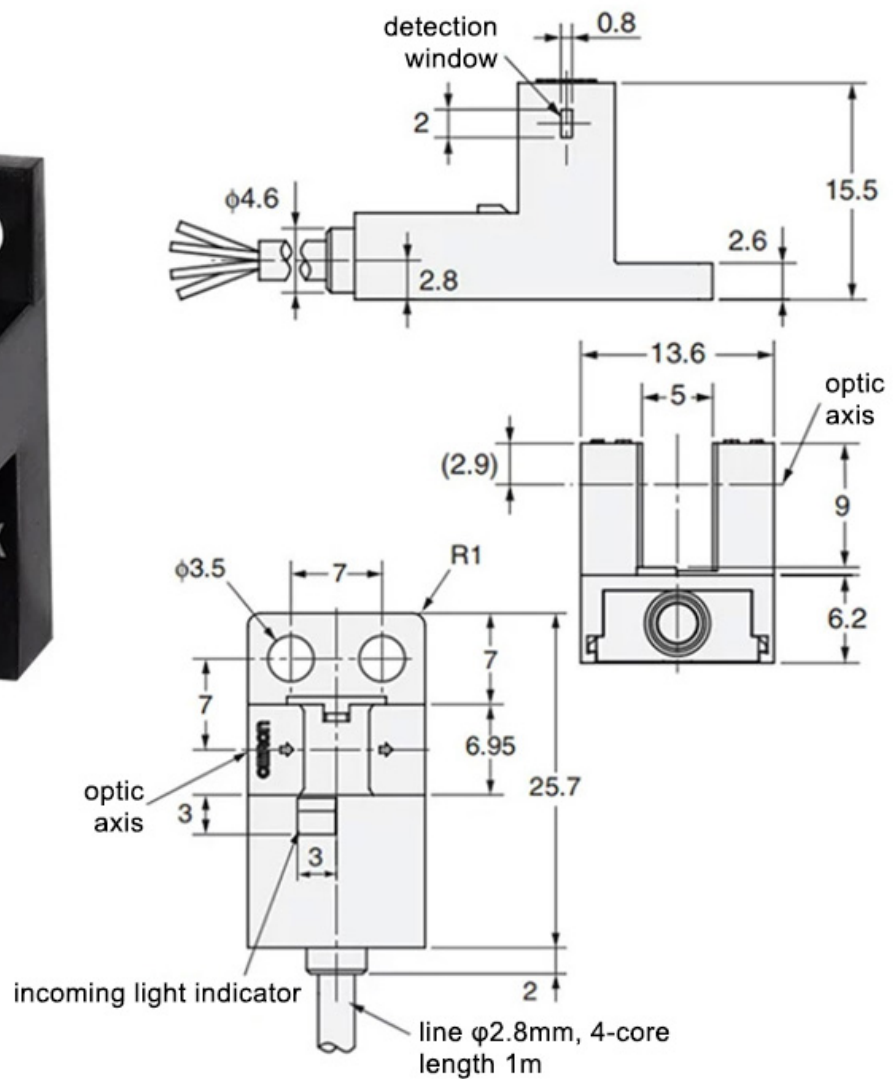
Detection distance 5mm

Light up when power is on

Light off when items are detected

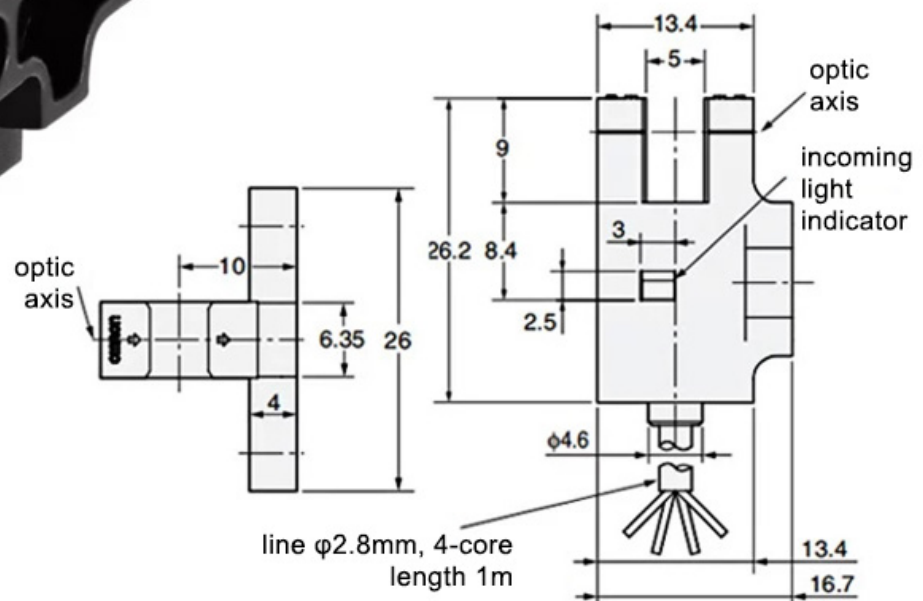
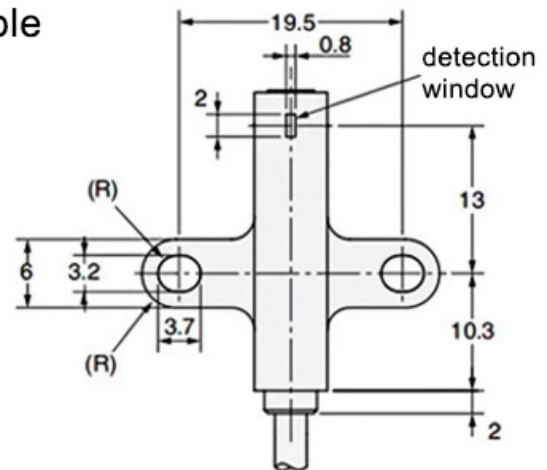
Line length 1m

NO and NC switchable



# EE-SX675-WR

NPN output  
Detection distance 5mm  
Light up when power is on  
Light off when items are detected  
Line length 1m  
NO and NC switchable



# EE-SX676-WR

NPN output

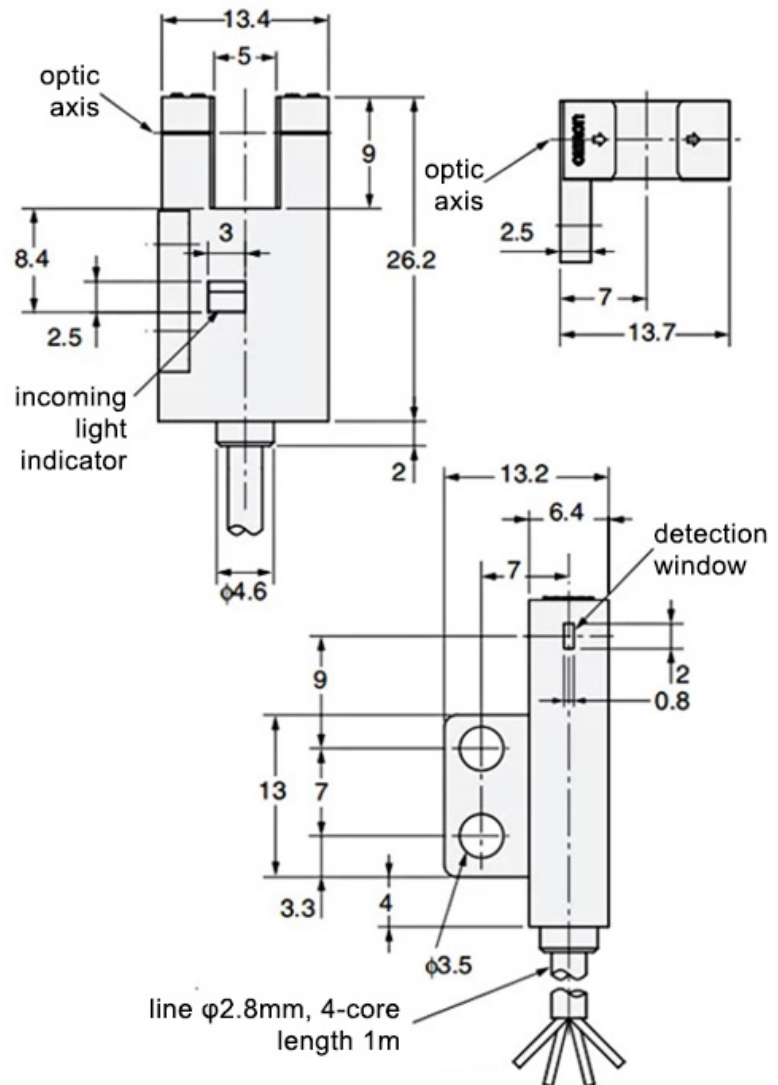
Detection distance 5mm

Light up when power is on

Light off when items are detected

Line length 1m

NO and NC switchable





# EE-SX677-WR

NPN output

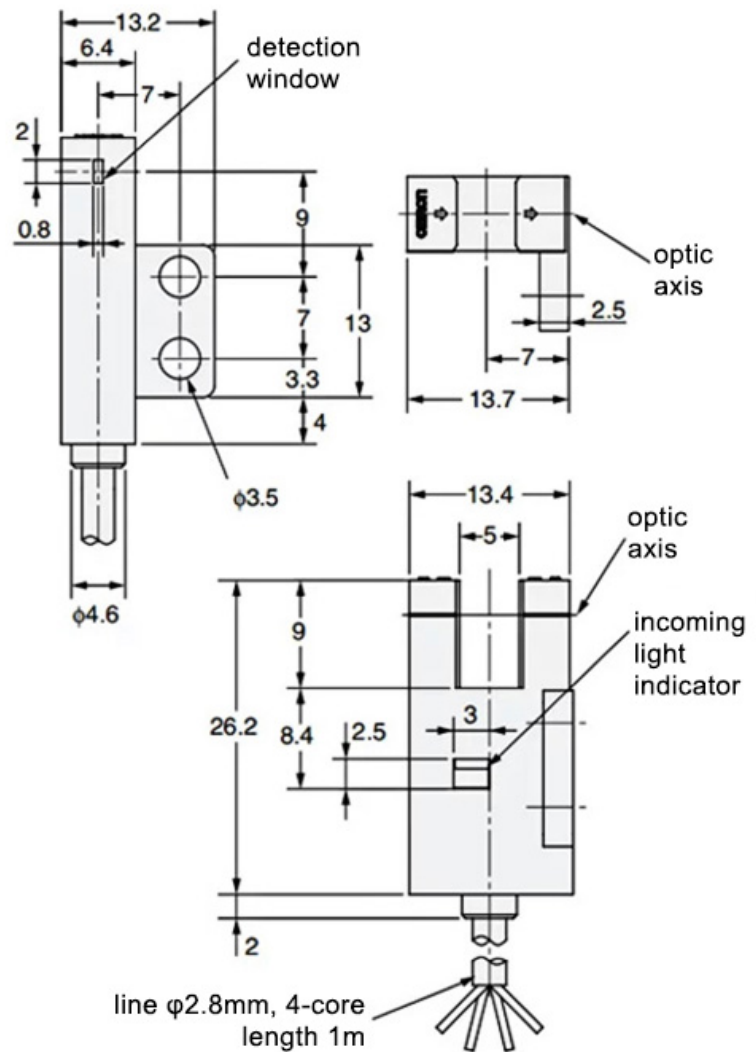
Detection distance 5mm

Light up when power is on

Light off when items are detected

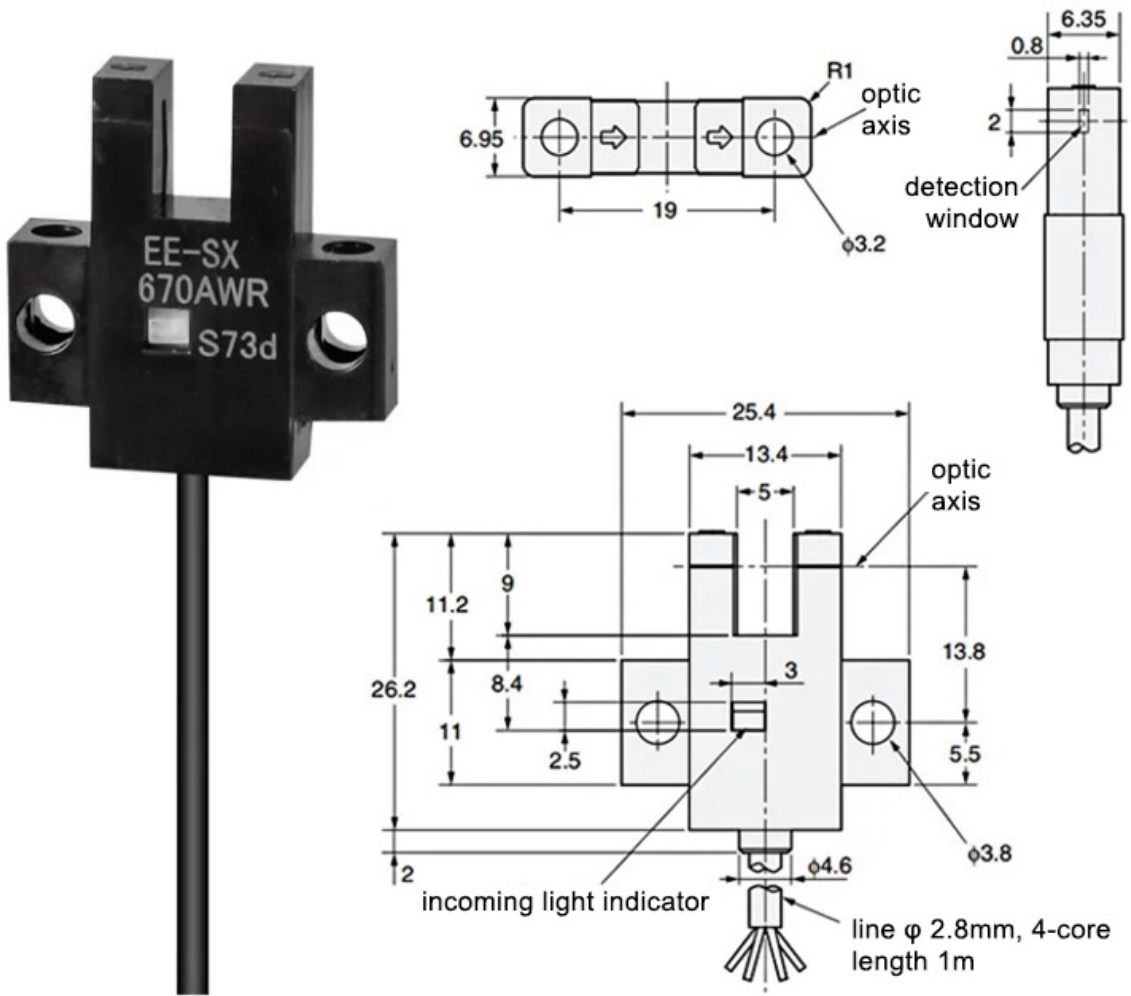
Line length 1m

NO and NC switchable



# EE-SX670A-WR

NPN output  
Detection distance 5mm  
Light off when power is on  
Light up when items are detected  
Line length 1m  
NO and NC switchable



# EE-SX671A-WR

NPN output

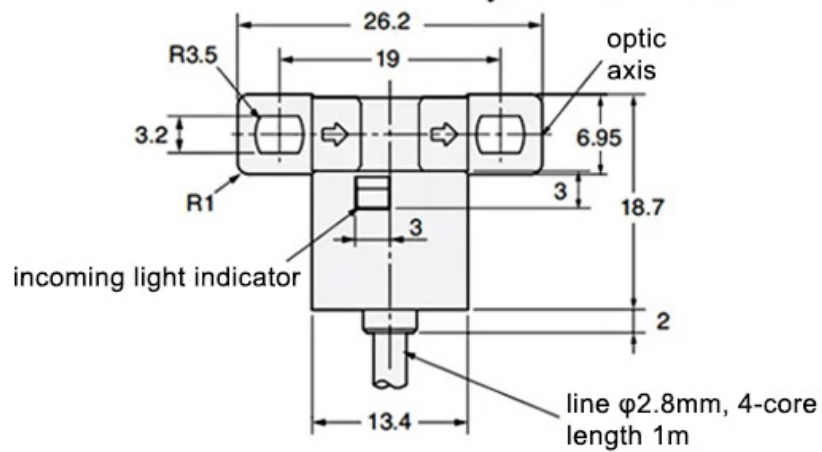
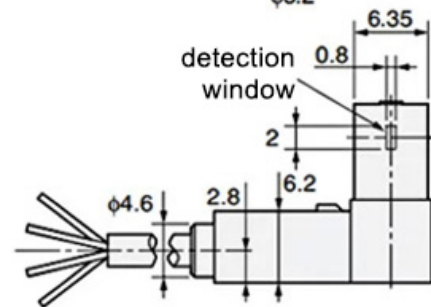
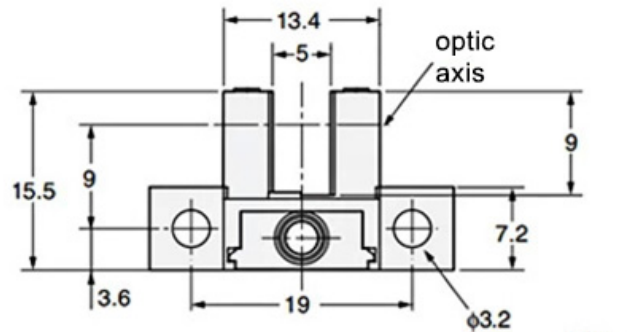
Detection distance 5mm

Light off when power is on

Light up when items are detected

Line length 1m

NO and NC switchable



# EE-SX672A-WR

NPN output

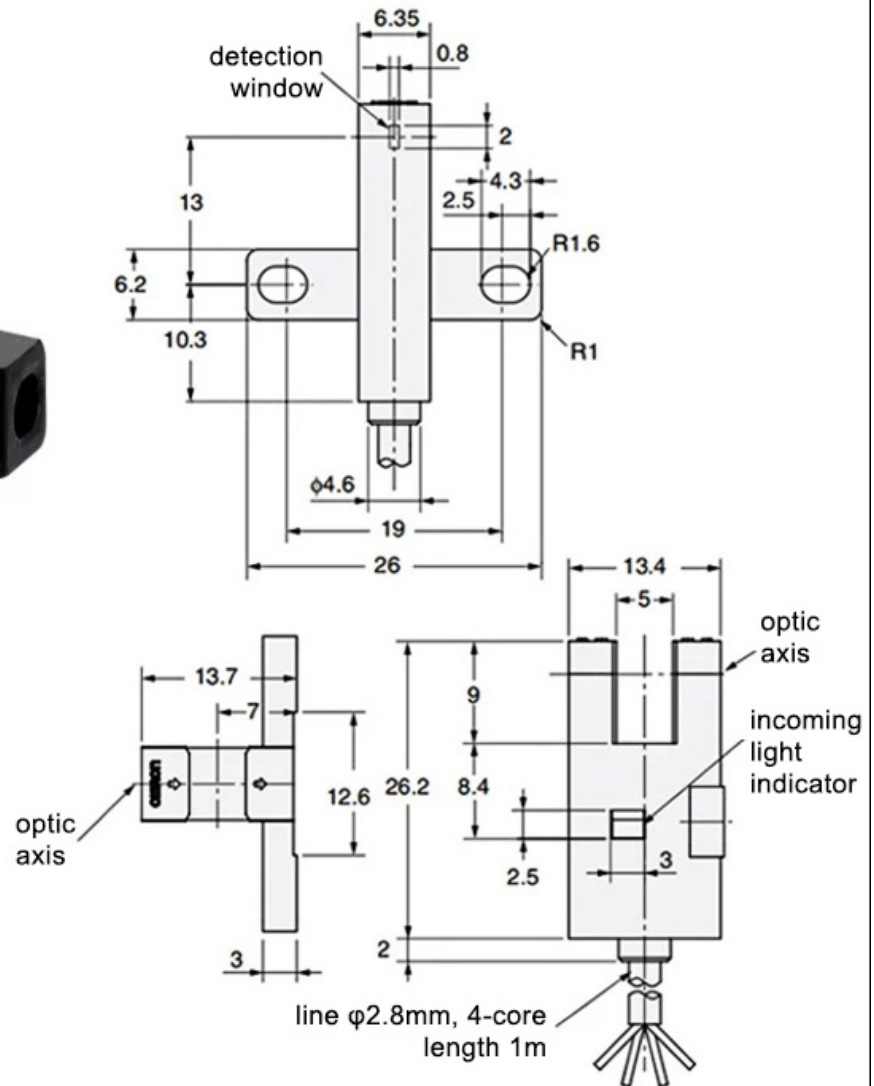
Detection distance 5mm

Light off when power is on

Light up when items are detected

Line length 1m

NO and NC switchable



# EE-SX673A-WR

NPN output

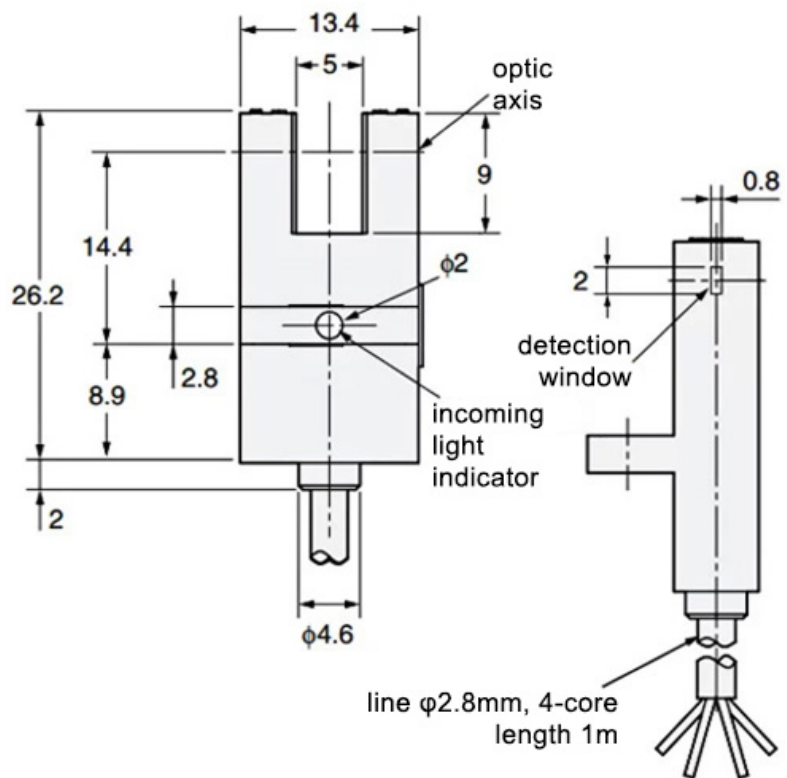
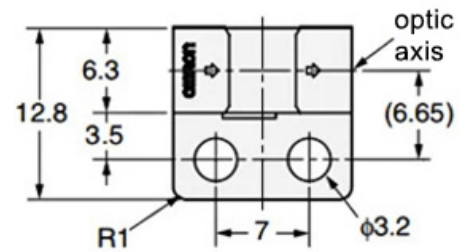
Detection distance 5mm

Light off when power is on

Light up when items are detected

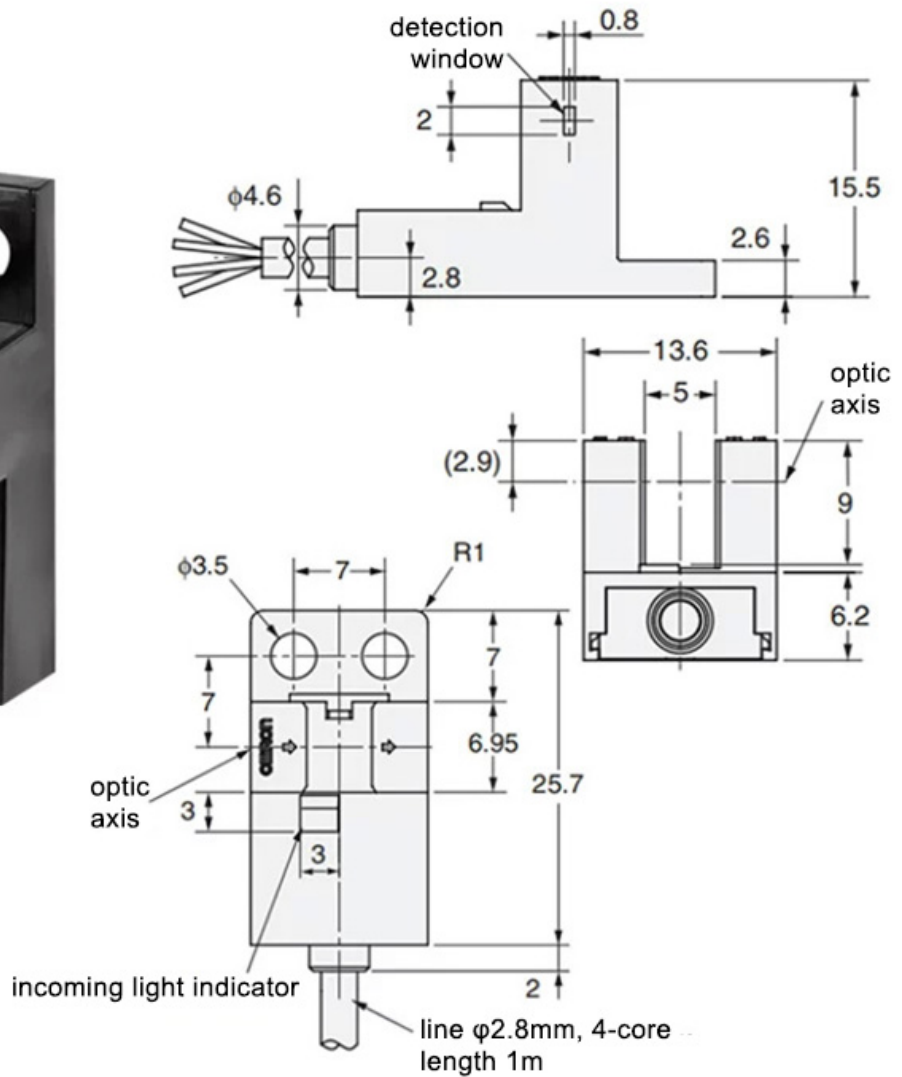
Line length 1m

NO and NC switchable



# EE-SX674A-WR

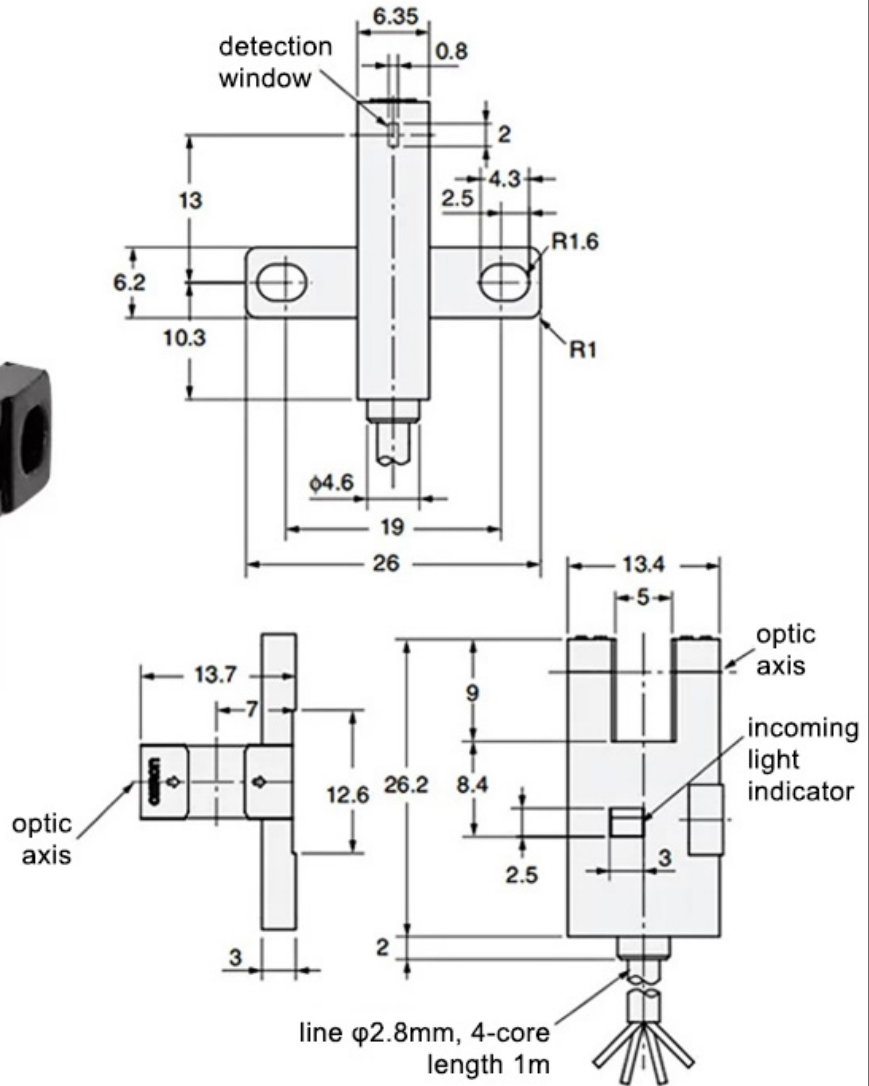
- NPN output
- Detection distance 5mm
- Light off when power is on
- Light up when items are detected
- Line length 1m
- NO and NC switchable





# EE-SX672P-WR

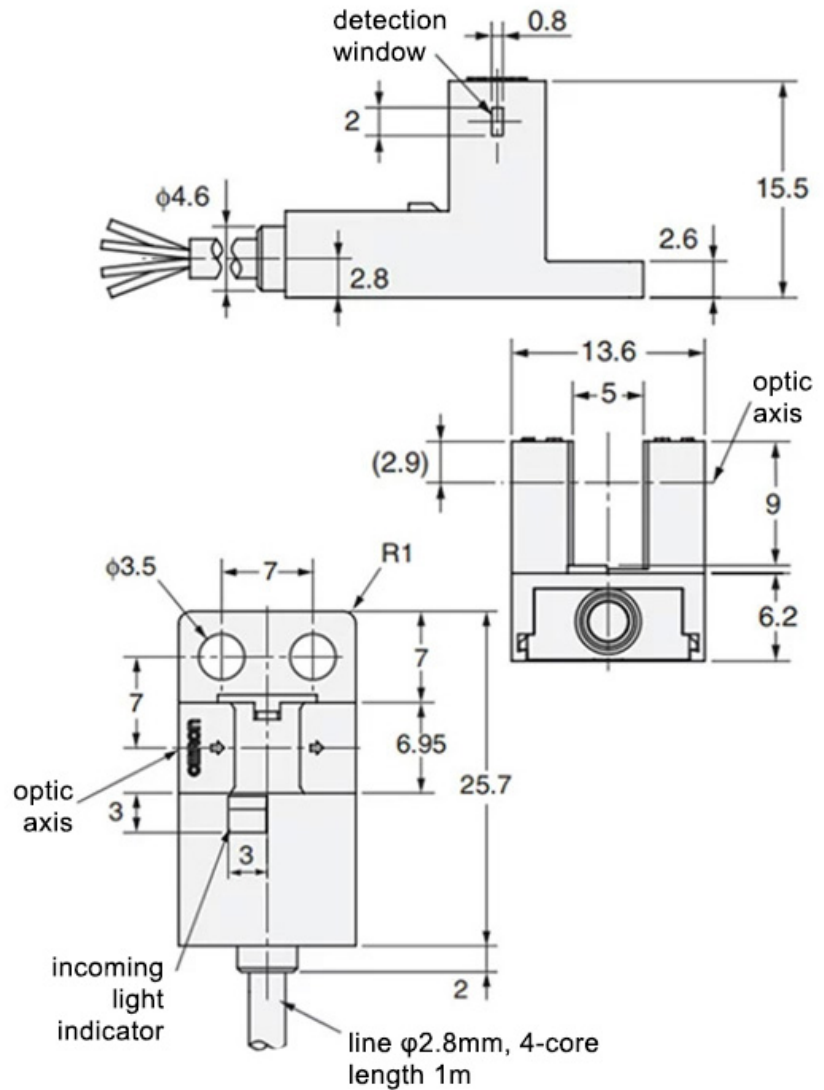
PNP output  
Detection distance 5mm  
Light up when power is on  
Light off when items are detected  
Line length 1m  
NO and NC switchable





# EE-SX674P-WR

PNP output  
Detection distance 5mm  
Light up when power is on  
Light off when items are detected  
Line length 1m  
NO and NC switchable



# EE-SX676P-WR

PNP output

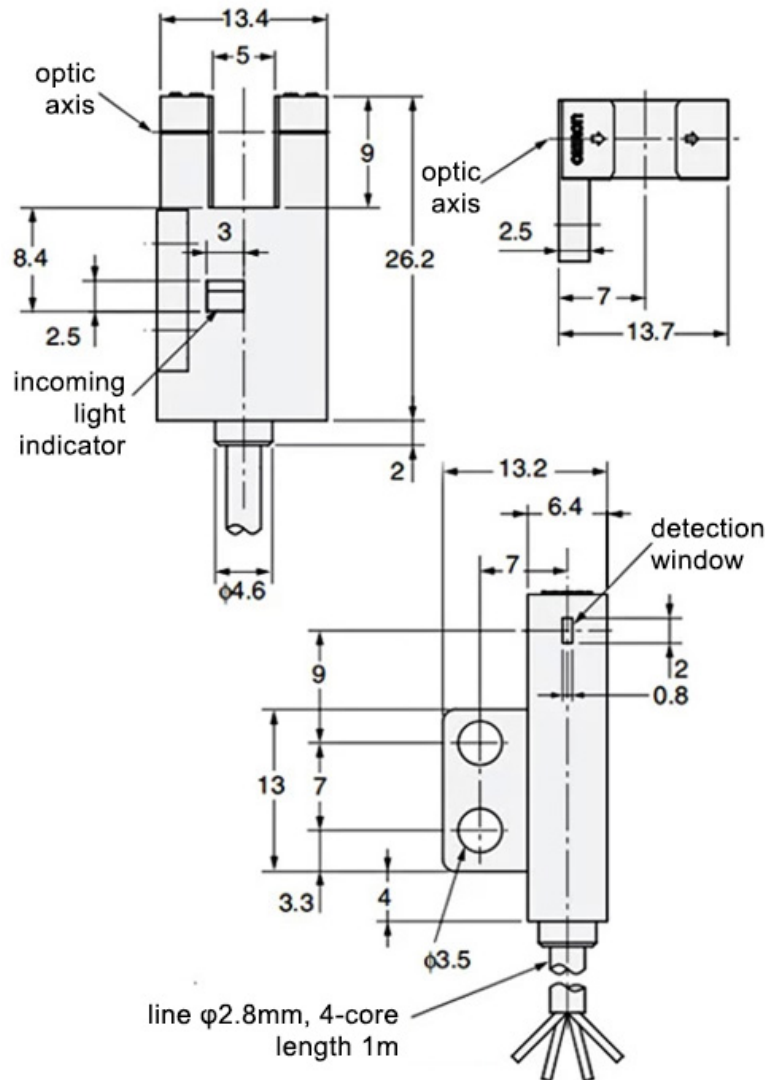
Detection distance 5mm

Light up when power is on

Light off when items are detected

Line length 1m

NO and NC switchable



# EE-SX677P-WR

PNP output

Detection distance 5mm

Light up when power is on

Light off when items are detected

Line length 1m

NO and NC switchable

