

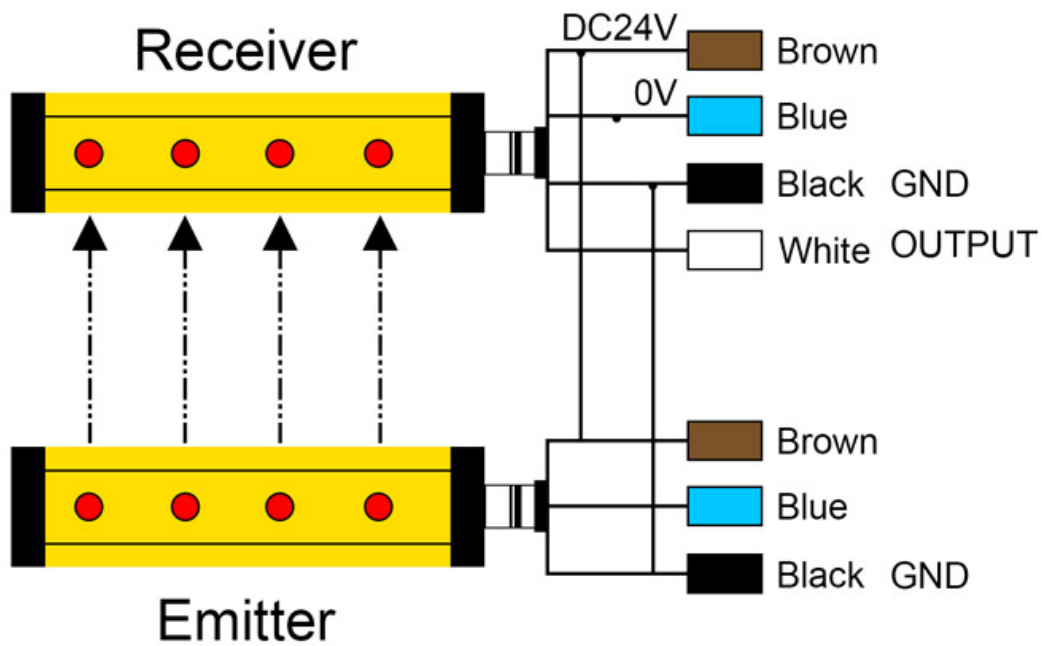
NEW Light curtain safety grating LS03A40-04NC 4 points
40mm safety light curtain sensor switch photoelectric
protection device



The parameters

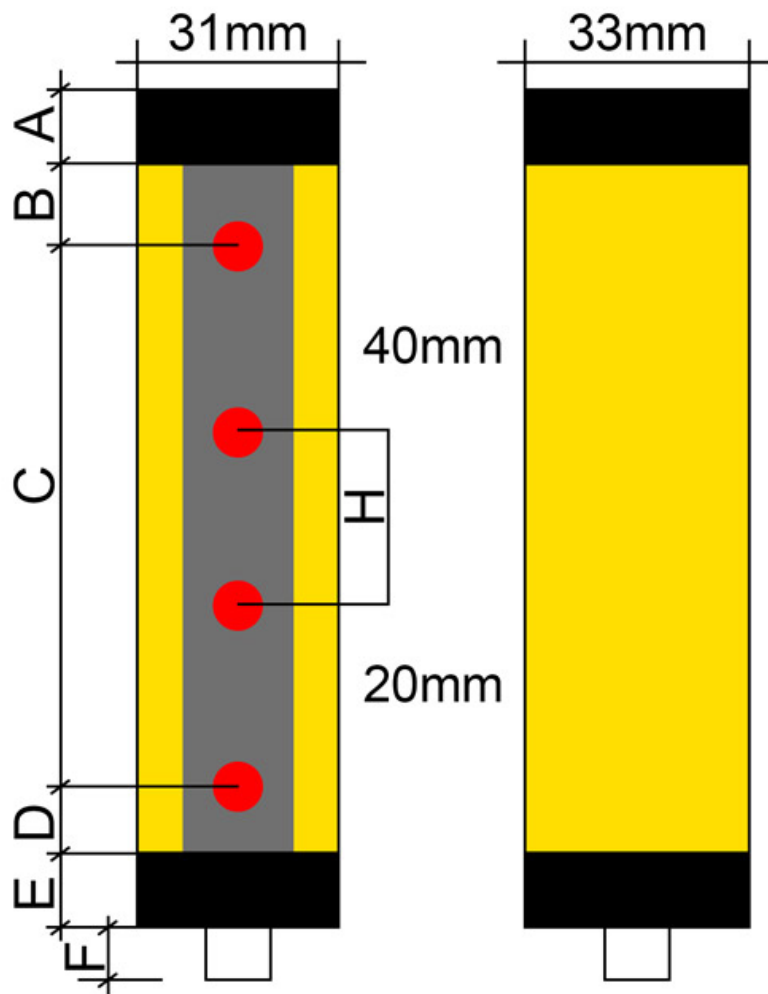
параметр

Type A transistor NPN/PNP wiring diagram



1. The brown wires of the transmitting end and the receiving end are connected together for the positive pole of the power supply 12-24V.
2. The blue line of the transmitting end and the receiving end are connected together for the negative pole of the power supply 0V.
3. The black wires of the transmitter and receiver are connected together to ground the GND power supply.
4. The white line at the receiving end is the signal line, which can be PC.

Size:



A transistor output type description, the highest light screen to 32 points.

A Series Technical Parameter

Model	Light points	H=Beam pitch mm	C=Protection height mm	A=Height of upper end cover mm	B=Hlind area mm	D=Hlind area mm	E=Height of lower end cover mm	F=Height of aviation plug mm	G=Total height of grating mm
04-40	4	40	120	10	20	32	10	11	203
04-20	4	20	60	10	10	32	10	11	133

safety warning:

When the safety light curtain grating is connected to electricity, a professional operator must be certified to work. Non-professionals are not allowed to operate. The current of this safety light curtain grating is DC 12-30VDC and cannot be used on AC power.

Warning 1: 

A safety distance of 300mm must be maintained between the sensor and the hazardous area.

Warning 2: 

It cannot be used in an electronically controlled machine without an immediate stop.

Warning 3: 

When installing, consider whether there are other reflectors that may malfunction.

A-C type grating selection, protection height, total height

Optical axis spacing (20mm)

Number of beams (n)	Protection height (mm)	Total height of grating (mm)	Specification model
4	60	144	04-20
6	100	184	06-20
8	140	224	08-20
10	180	264	10-20
12	200	304	12-20
14	240	344	14-20
16	280	384	16-20
18	320	424	18-20
20	360	464	20-20
22	400	504	22-20
24	440	544	24-20
26	480	584	26-20
28	520	624	28-20
30	560	664	30-20
32	600	704	32-20

Optical axis spacing (40mm)

Number of beams (n)	Protection height (mm)	Total height of grating (mm)	Specification model
4	120	204	04-40
6	200	284	06-40
8	280	364	08-40
10	360	444	10-40
12	440	524	12-40
14	520	604	14-40
16	600	684	16-40
18	680	764	18-40
20	760	844	20-40
22	840	924	22-40
24	920	1004	24-40
26	1000	1084	26-40
28	1080	1164	28-40
30	1160	1244	30-40
32	1240	1324	32-40













Buyer tips

покупатель советы

NOTE

1、 Brazil customers need to provide CNPJ/CPF.

Recommend using Singapore post/e-packet/China Post,these may needn't customs tax.

If shipping use international express:DHL/FedEx/e-EMS (BUT NO UPS),these usually need customs duty

2、 The costumers of South American and European need provide tax number if necessary.

3、 The customs tax need be paid by buyer,if need make low value invoice,please leave a message.

4、 Customs tax threshold:

USA:800USD ; EU:22Euro ;

Russia:1000Rouble ; Australia and New Zealand:1000Australian dollar ; Japan & Korea:130USD ; South America & Southeast Asia:under 50USD

Links