

M5 1mm Cylinder Inductive Proximity Sensor Switch LJ5A3-1-Z/BX/AX/BY/AY/EX 3/2-wire PNP/NPN NO NC DC6~36V



M12 2mm DC6~36V Cylinder Inductive Proximity Sensor Switch LJ12A3-2-

Z/BX/AX/CX/BY/AY/CY/EX/DX 2/3/4-wire PNP/NPN NO NC USD 1.38-2.00/piece

M5 1mm Cylinder Inductive Proximity Sensor Switch LJ5A3-1-Z/BX/AX/BY/AY/EX 3/2-wire

PNP/NPN NO NC DC6~36V USD 5.50/piece

Capacitive proximity switch NC NPN sensor 25MM Detection distance LJC30A3-H-Z/AX 3-WIRE

DC6-36V+mounting bracket USD 4.24/piece

LJ12A3-4 BX BY AX AY inductive proximity switch lj12a3-4-z/bx npn lj12a3-4-z/ax pnp sensor NO

NC DC5~36V 4mm detection distance USD 0.95-1.55/piece

M30 10mm 15mm DC6~36V Inductive Proximity Sensor Switch LJ30A3-10(15)-

Z/BX/AX/CX/BY/AY/CY/EX/DX 2/3/4-wire PNP/NPN NO NC USD 2.50-3.73/piece

LJC18A3-B-Z/BX Approach Sensor Cylindrical Capacitive Proximity Switch 10mm Detecting distance NPN/PNP NO/NC DC6-36VUSD 2.68/piece

1Pc Metal detection sensor SN04-N Proximity switch for metal inspection SN04-N2 SN04-P SN04-P2 SN04-Y1 Y2 D1 D2 NPN PNP NC NOUSD 1.01-1.55/piece

LJ8A3-2-Z-BX/AX Proximity Switch BY/AY/EX/DX/DZ/EZ PNP/NPN NO NC M8 2mm Detect distance Inductive Sensor SwitchUSD 1.35-2.53/piece

The parameters параметр

LJ5A3-1-Z/BX: NPN Normally Open 3-Line type 5mm diameter ; 1mm detection distance

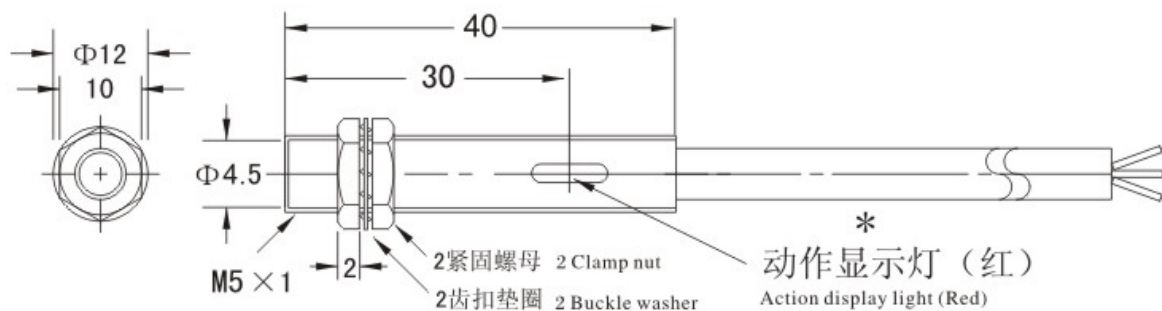
LJ5A3-1-Z/AX: NPN Normally Close 3-Line type 5mm diameter ; 1mm detection distance

LJ5A3-1-Z/BY: PNP Normally Open 3-Line type 5mm diameter ; 1mm detection distance

LJ5A3-1-Z/AY: PNP Normally Close 3-Line type 5mm diameter ; 1mm detection distance

LJ5A3-1-Z/EX: Two-wire Normally Open 5mm diameter ; 1mm detection distance

LJ5A3-1-□



Product information				
Type		LJ5A3-1-□		
Mounting way		Screen shield type		
Type	DC type	NPN	NO	LJ5A3-1-Z/BX
			NC	LJ5A3-1-Z/AX
			NO+NC	
		PNP	NO	LJ5A3-1-Z/BY
			NC	LJ5A3-1-Z/AY
			NO+NC	
	Two-wire	NO	LJ5A3-1-Z/EX	
		NC		
AC type	Two-wire	NO		
		NC		
	Three-wire	NO+NC		
Detection distance		1mm ± 10%		
Set distance		0-0.7mm		
Delay distance		10% below of the detection distance		
Detection object		Magnetic metal(the detection distance decreases when it is non-magnetic metal)		
Standard detection object		Iron 5*5*1mm		
Response frequency		DC:0.5kHz AC:25kHz		
Supply voltage		DC type : DC 12-24V (6-36V) Impulse (P-P) 10% below AC type : AC 110-220V (36-250V) 50/60Hz		
Withstand voltage		AC1000V 50/60HZ 1min between charging part and housing		
Voltage influence		Inside ±15% rated supply voltage range, at rated supply voltage value, inside ±10% detection distance		
Consumption current		N.P type:13mA below, D type:0.8mA below,A type:1.7mA below		
Control output		N.P type:300mA below, D type:200mA below,A type:400mA below		
Loop protection		N.P.D type:reversal connection protection,surge absorption,load short-circuit protection,A type:surge absorption		
Ambient temperature & humidity		During operation,storage:individually -30—+65°C (no freeze, no dew),During operation,storage:individually 35—95% RH		
Temperature influence		Temperature range -30—+65°C,at+23°C, ±15%detection distance Temperature range -25—+60°C,at+23°C, ±10%detection distance		
Insulation impedance		50MΩ above(DC500 megameter)between charging part and housing		
Material		Housing:Nickel plated brass Detection surface:ABS		
Protection level		IP67(IEC specification)		



The Description

описание



