

M24 8mm 10mm DC6~36V Cylinder Inductive Proximity
Sensor Switch LJ24A3-8(10)-Z/BX/AX/CX/BY/AY/CY/EX/DX
2/3/4-wire PNP/NPN NO NC

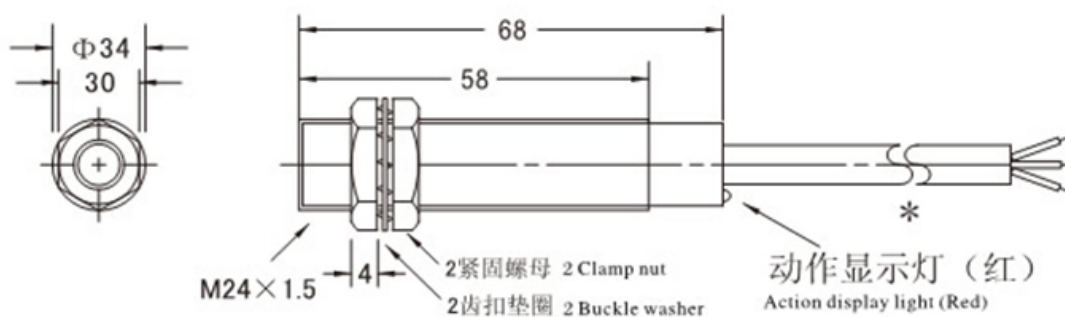


 **The parameters** параметр

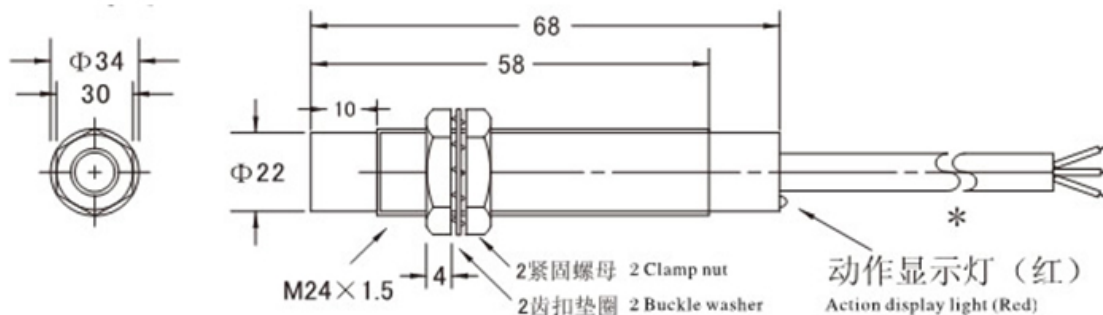
LJ24A3-8-Z/BX: DC NPN 3-wire Normally Open 24mm diameter ; 8mm detection distance
LJ24A3-8-Z/AX: DC NPN 3-wire Normally Close 24mm diameter ; 8mm detection distance
LJ24A3-8-Z/CX: DC NPN 4-wire Normally Open and Normally Close 24mm diameter ; 8mm
detection distance

LJ24A3-8-Z/BY: DC PNP 3-wire Normally Open 24mm diameter ; 8mm detection distance
 LJ24A3-8-Z/AY: DC PNP 3-wire Normally Close 24mm diameter ; 8mm detection distance
 LJ24A3-8-Z/CY: DC PNP 4-wire Normally Open and Normally Close 24mm diameter ; 8mm detection distance
 LJ24A3-8-Z/EX: DC Two-wire Normally Open 24mm diameter ; 8mm detection distance
 LJ24A3-8-Z/DX: DC Two-wire Normally Close 24mm diameter ; 8mm detection distance
 LJ24A3-10-Z/BX: DC NPN Normally Open 3-wire type 24mm diameter ; 10mm detection distance
 LJ24A3-10-Z/AX: DC NPN Normally Close 3-wire type 24mm diameter ; 10mm detection distance
 LJ24A3-10-Z/CX: DC NPN 4-wire Normally Open and Normally Close 24mm diameter ; 10mm detection distance
 LJ24A3-10-Z/BY: DC PNP Normally Open 3-wire type 24mm diameter ; 10mm detection distance
 LJ24A3-10-Z/AY: DC PNP Normally Close 3-wire type 24mm diameter ; 10mm detection distance
 LJ24A3-10-Z/CY: DC PNP 4-wire Normally Open and Normally Close 24mm diameter ; 10mm detection distance
 LJ24A3-10-Z/EX: DC Two-wire Normally Open 24mm diameter ; 10mm detection distance
 LJ24A3-10-Z/DX: DC Two-wire Normally Close 24mm diameter ; 10mm detection distance

LJ24A3-8



LJ24A3-10



Product information				
Type		LJ24A3-8-□		
Mounting way		Screen shield type		
Type	DC type	NPN	NO	LJ24A3-8-Z/BX
			NC	LJ24A3-8-Z/AX
			NO+NC	LJ24A3-8-Z/CX
		PNP	NO	LJ24A3-8-Z/BY
			NC	LJ24A3-8-Z/AY
			NO+NC	LJ24A3-8-Z/CY
	Two-wire	NO	LJ24A3-8-Z/EX	
		NC	LJ24A3-8-Z/DX	
	AC type	Two-wire	NO	LJ24A3-8-J/EZ
			NC	LJ24A3-8-J/DZ
Three-wire		NO+NC	LJ24A3-8-J/EDZ	
Detection distance		8 mm ± 10%		
Set distance		0-7mm		
Delay distance		10% below of the detection distance		
Detection object		Magnetic metal(the detection distance decreases when it is non-magnetic metal)		
Standard detection object		Iron24*24*1mm		
Response frequency		DC:0.5kHz AC:25kHz		
Supply voltage		DC type : DC 12-24V (6-36V) Impulse (P-P) 10% below AC type : AC 110-220V (36-250V) 50/60Hz		
Withstand voltage		AC1000V 50/60HZ 1min between charging part and housing		
Voltage influence		Inside ±15% rated supply voltage range, at rated supply voltage value, inside ±10% detection distance		
Consumption current		N.P type:13mA below, D type:0.8mA below,A type:1.7mA below		
Control output		N.P type:300mA below, D type:200mA below,A type:400mA below		
Loop protection		N.P.D type:reversal connection protection,surge absorption,load short-circuit protection,A type:surge absorption		
Ambient temperature & humidity		During operation,storage:individually -30—+65°C (no freeze, no dew),During operation,storage:individually 35—95% RH		
Temperature influence		Temperature range -30—+65°C,at+23°C, ±15%detection distance Temperature range -25—+60°C,at+23°C, ±10%detection distance		
Insulation impedance		50MΩ above(DC500 megameter)between charging part and housing		
Material		Housing:Nickel plated brass Detection surface:ABS		
Protection level		IP67(IEC specification)		

Product information				
Type		LJ24A3-10-□		
Mounting way		Non-screen shield type		
Type	DC type	NPN	NO	LJ24A3-10-Z/BX
			NC	LJ24A3-10-Z/AX
			NO+NC	LJ24A3-10-Z/CX
		PNP	NO	LJ24A3-10-Z/BY
			NC	LJ24A3-10-Z/AY
			NO+NC	LJ24A3-10-Z/CY
	Two-wire	NO	LJ24A3-10-Z/EX	
		NC	LJ24A3-10-Z/DX	
		NO	LJ24A3-10-J/EZ	
AC type	Two-wire	NC	LJ24A3-10-J/DZ	
		NO+NC	LJ24A3-10-J/EDZ	
	Three-wire	NO+NC	LJ24A3-10-J/EDZ	
Detection distance		10mm ± 10%		
Set distance		0-8mm		
Delay distance		10% below of the detection distance		
Detection object		Magnetic metal(the detection distance decreases when it is non-magnetic metal)		
Standard detection object		Iron30*30*1mm		
Response frequency		DC:0.5kHz AC:25kHz		
Supply voltage		DC type : DC 12-24V (6-36V) Impulse (P-P) 10% below AC type : AC 110-220V (36-250V) 50/60Hz		
Withstand voltage		AC1000V 50/60HZ 1min between charging part and housing		
Voltage influence		Inside ±15% rated supply voltage range, at rated supply voltage value, inside ±10% detection distance		
Consumption current		N.P type:13mA below, D type:0.8mA below,A type:1.7mA below		
Control output		N.P type:300mA below, D type:200mA below,A type:400mA below		
Loop protection		N.P.D type:reversal connection protection,surge absorption,load short-circuit protection,A type:surge absorption		
Ambient temperature & humidity		During operation,storage:individually -30—+65°C (no freeze, no dew),During operation,storage:individually 35—95% RH		
Temperature influence		Temperature range -30—+65°C,at+23°C, ±15%detection distance Temperature range -25—+60°C,at+23°C, ±10%detection distance		
Insulation impedance		50MΩ above(DC500 megameter)between charging part and housing		
Material		Housing:Nickel plated brass Detection surface:ABS		
Protection level		IP67(IEC specification)		



The Description

описание



LJ24A3-8

LJ24A3-10

LJ24A3-8





LJ24A3-10



