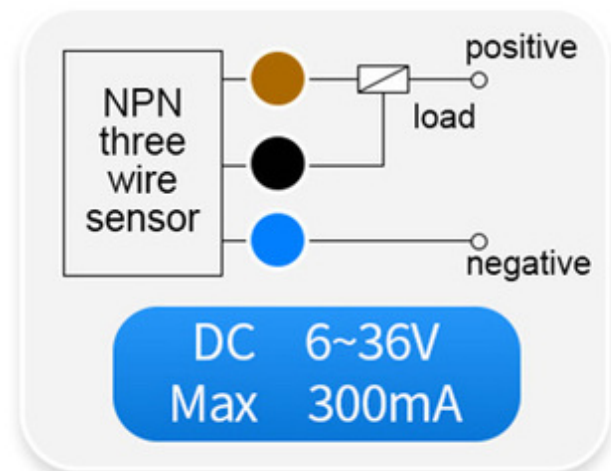


Infrared Photoelectric Switch Diffuse Reflection Type Sensor
DC12V-24V with Bracket E3Z-
D61/D81/D62/D82/T61/T81/R61/R81/LS61

E3Z-D61



- SPECIFICATIONS

Voltage: DC12-24V

Output current: 300mA

Reflection form: diffuse reflection type

Action status: switchable "L" normally open, "D" normally closed

Standard detection distance: non fully transparent objects above 1mm (such as colorless glass)

Light source (wavelength): infrared luminescence (950)

Circuit protection: reverse connection protection, open circuit protection, surge protection

Service life: 2 million times

Response time: less than 2ms

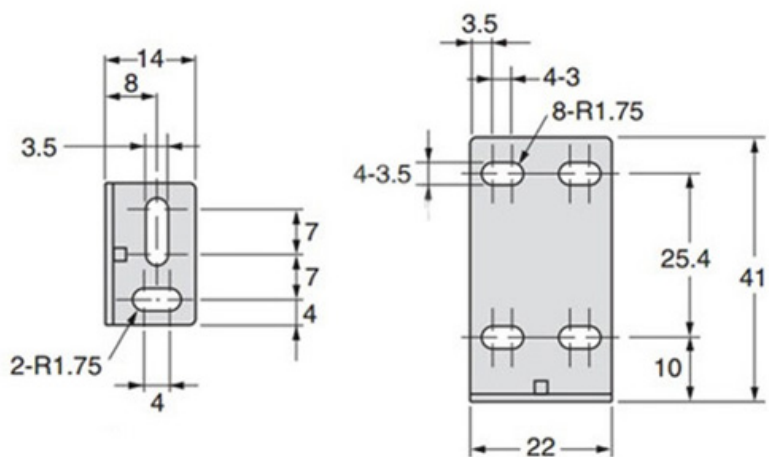
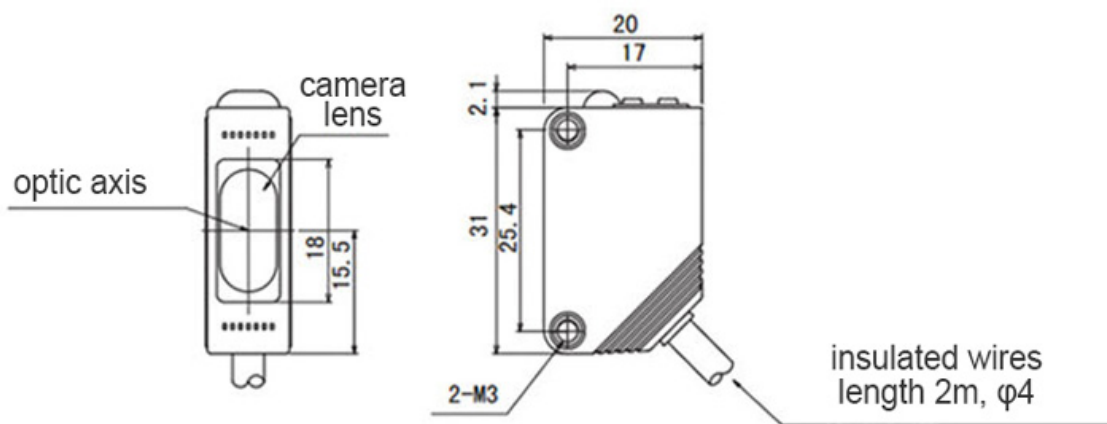
Insulation resistance: above 20mΩ

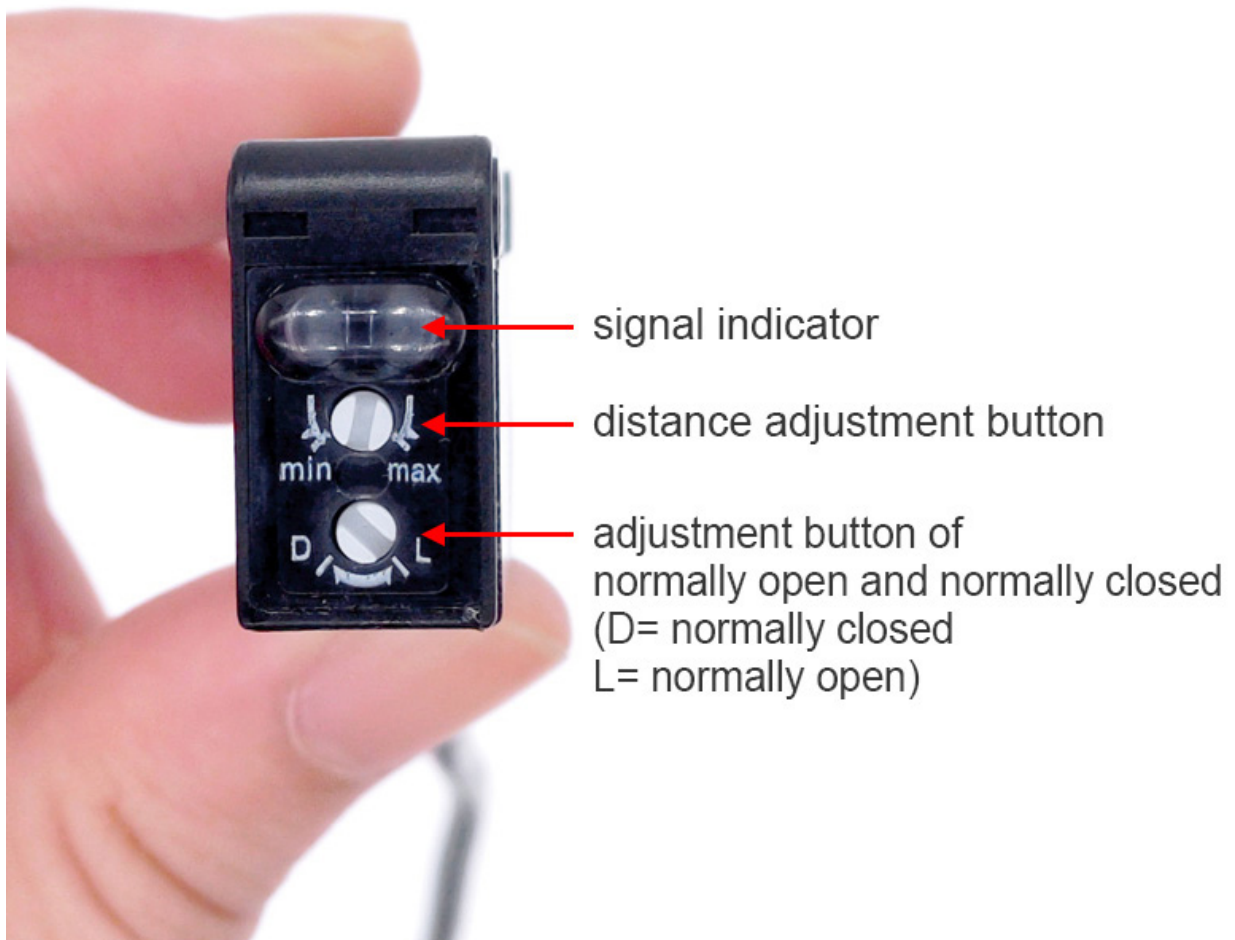
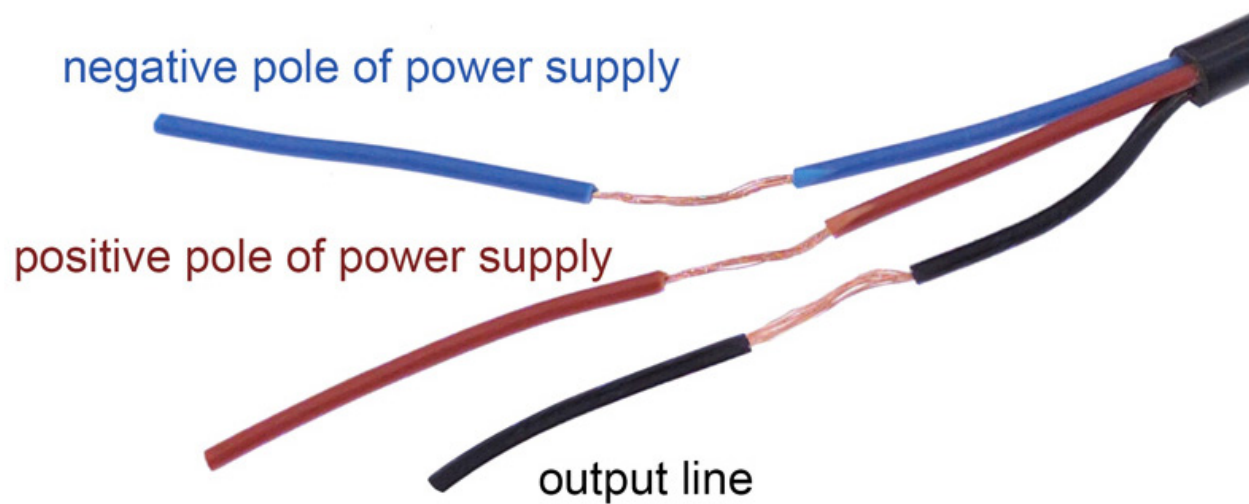
Conductor length: 2m

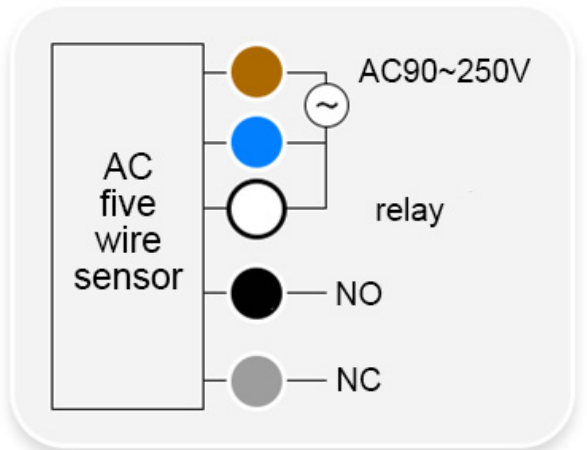
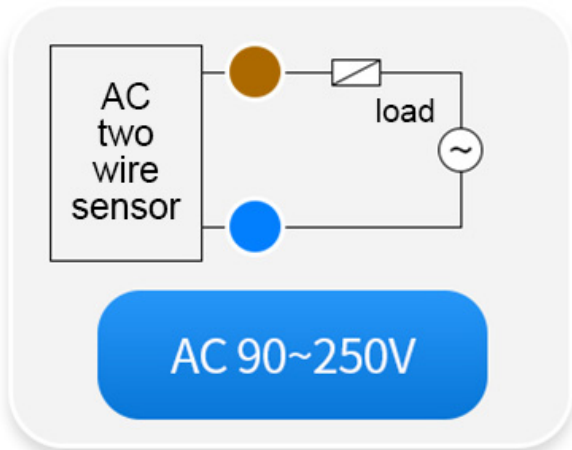
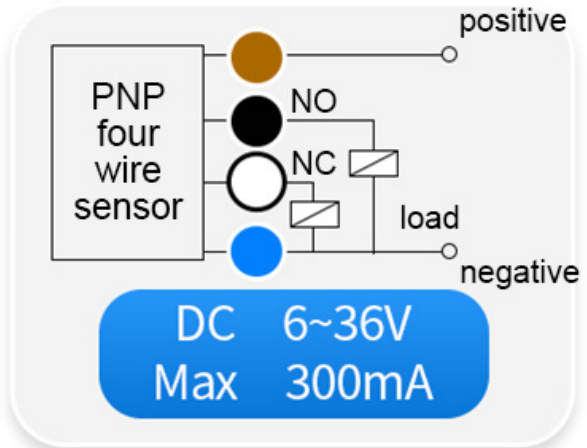
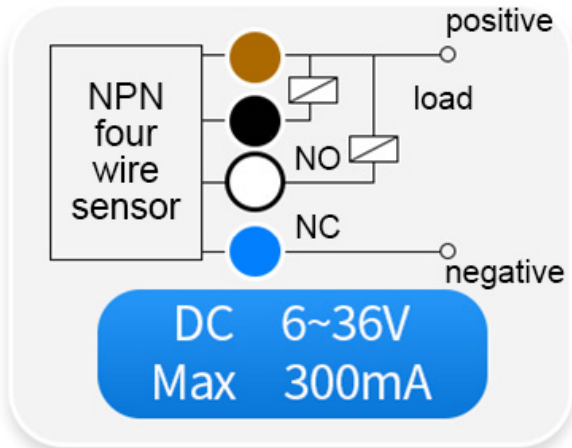
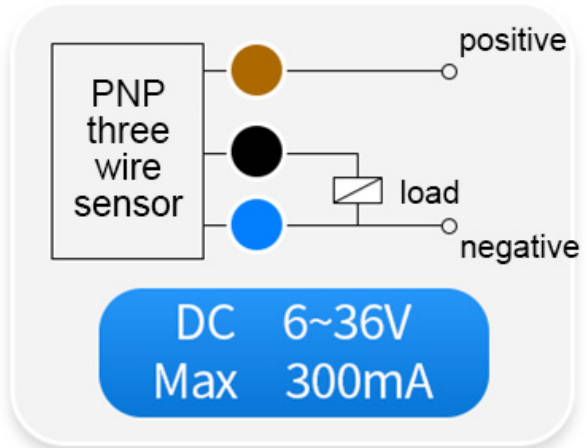
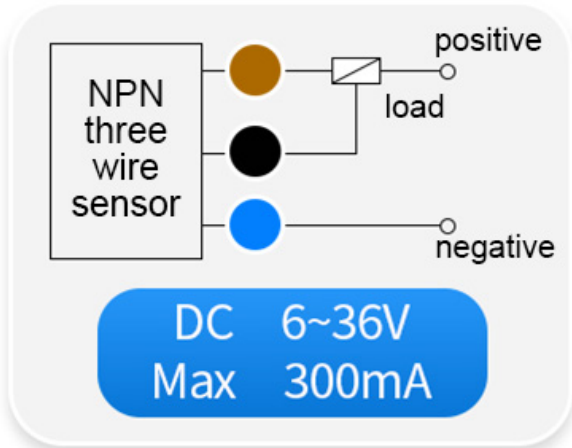
Shell material: ABS

Cable material: PVC

Model	Triode form	Sensing distance
D61	NPN	3-20cm
D62	NPN	5-50cm
D81	PNP	3-20cm
D82	PNP	5-50cm
T61	NPN	30-400cm
T81	PNP	30-400cm
R61	NPN	30-200cm
R81	PNP	30-200cm
LS61	NPN	1-5cm
LS63	NPN	1-5cm







Detail Images





