
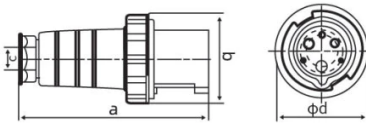


IP67 63A/125A Industrial Plug Socket 3P/4P/5P Waterproof Electrical Connector Power Connection Industrial Plug 220V 380V 415V




- 电流 Current (A) : 63A.125A
- 电压 Voltage(V): 220-240V~2P+E
- 防护等级 Protection degree: IP67

earth contact position		6h	
rated current(A)	63	125	
	pole		
	3		
dimension(mm)	a	231.5	293
	b	110	125
	c	16-38	30-50
	φ	110	125
cable nominal cross-section area(mm ²)		6-16	16-50

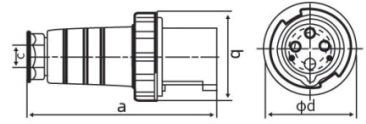


XM-033 XM-043




- 电流 Current (A) : 63A.125A
- 电压 Voltage(V): 380-415V~3P+E
- 防护等级 Protection degree: IP67

earth contact position		6h	
rated current(A)	63	125	
	pole		
	4		
dimension(mm)	a	231.5	293
	b	110	125
	c	16-38	30-50
	φ	110	125
cable nominal cross-section area(mm ²)		6-16	16-50

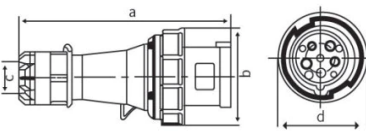


XM-034 XM-044




- 电流 Current (A) : 63A.125A
- 电压 Voltage(V): 220-380V~240-415V~3P+N+E
- 防护等级 Protection degree: IP67

earth contact position		6h	
rated current(A)	63	125	
	pole		
	5		
dimension(mm)	a	240	295
	b	115	126
	C	30	44.5
cable nominal cross-section area(mm ²)		6-16	16-50

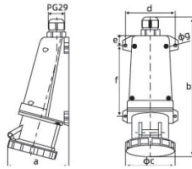


XM-035 XM-045




- 电流 Current (A) : 63A.125A
- 电压 Voltage(V): 220-240V~2P+E
- 防护等级 Protection degree: IP67

earth contact position		6h	
rated current(A)	63	125	
	pole		
	3		
dimension(mm)	a	134	154
	b	311	338
	c	108	122
	d	111	130
	e	20	20
	f	153	185
	g	6	6.2
cable nominal cross-section area(mm ²)		6-2.5	25-70

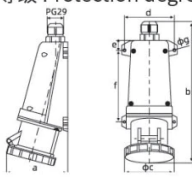


XM-133 XM-143



- 电流 Current (A) : 63A.125A
- 电压 Voltage(V): 380-415V~3P+E
- 防护等级 Protection degree: IP67

earth contact position		6h	
rated current(A)	63	125	
	pole		
	4		
dimension(mm)	a	134	154
	b	311	338
	c	108	122
	d	111	130
	e	20	20
	f	153	185
	g	6	6.2
cable nominal cross-section area(mm ²)		6-2.5	25-70

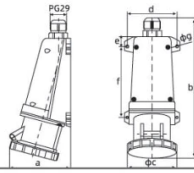


XM-134 XM-144



XM-135 XM-145

- 电流 Current (A) : 63A.125 A
- 电压 Voltage(V): 220-380V~ 3P+N+E
240-415V~
- 防护等级 Protection degree: IP67

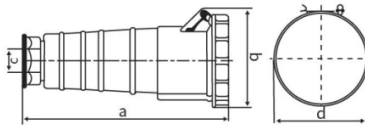


earth contact position		6h	
rated current(A)		63	125
	pole	5	
dimension(mm)	a	134	153
	b	311	338
	c	108	122
	d	111	130
	e	20	20
	f	153	185
	g	6	6.2
cable nominal cross-section area(mm ²)		6-2.5	25-70



XM-233 XM-243

- 电流 Current (A) : 63A.125A
- 电压 Voltage(V): 220-250V~2P+E
- 防护等级 Protection degree: IP67

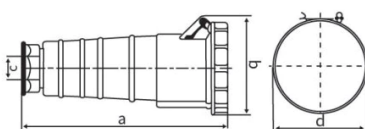


earth contact position		6h	
rated current(A)		63	125
	pole	3	
dimension(mm)	a	240	303
	b	115	128
	c	16-38	30-50
	d	103	120
cable nominal cross-section area(mm ²)		6-16	16-50



XM-234 XM-244

- 电流 Current (A) : 63A.125A
- 电压 Voltage(V): 380-415V~3P+E
- 防护等级 Protection degree: IP67

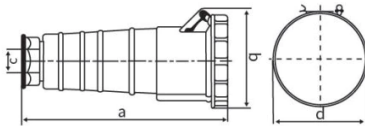


earth contact position		6h	
rated current(A)		63	125
	pole	4	
dimension(mm)	a	240	303
	b	115	128
	c	16-38	30-50
	d	108	120
cable nominal cross-section area(mm ²)		6-16	16-50



XM-235 XM-245

- 电流 Current (A) : 63A.125 A
- 电压 Voltage(V): 220-380V~ 3P+N+E
240-415V~
- 防护等级 Protection degree: IP67

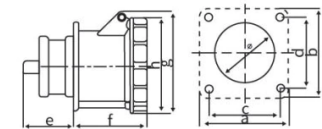


earth contact position		6h	
rated current(A)		63	125
	pole	5	
dimension(mm)	a	240	303
	b	115	128
	c	16-38	30-50
	d	108	120
cable nominal cross-section area(mm ²)		6-16	16-50



XM-333 XM-343

- 电流 Current (A) : 63A.125A
- 电压 Voltage(V): 220-250V~2P+E
- 防护等级 Protection degree: IP67

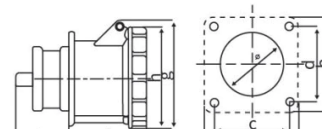


earth contact position		6h	
rated current(A)		63	125
	pole	3	
dimension(mm)	a	100	120
	b	100	120
	c	82	101
	d	82	101
	e	54.5	68
	f	88	96
	g	114	129
	h	108	122
	φ	70	88
	cable nominal cross-section area(mm ²)		6-2.5



XM-334 XM-344

- 电流 Current (A) : 63A.125A
- 电压 Voltage(V): 380-415V~3P+E
- 防护等级 Protection degree: IP67

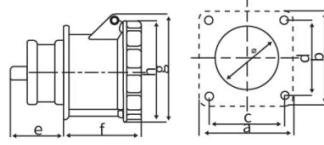


earth contact position		6h	
rated current(A)		63	125
	pole	4	
dimension(mm)	a	100	120
	b	100	120
	c	82	101
	d	82	101
	e	54.5	68
	f	88	96
	g	114	129
	h	108	122
	φ	70	88
	cable nominal cross-section area(mm ²)		6-2.5



XM-335 XM-345

- 电流 Current (A) : 63A.125 A
- 电压 Voltage(V): 220-380V~ 3P+N+E
240-415V~
- 防护等级 Protection degree: IP67



earth contact position		6h	
rated current(A)		63	125
		pole	5
dimension(mm)	a	100	120
	b	100	120
	c	82	101
	d	82	101
	e	54.5	68
	f	88	96
	g	114	129
	h	108	122
	Φ	70	88
cable nominal cross-section area(mm ²)		6-25	25-70

Industrial waterproof socket

Model: 3/4/5pin

63A/125A





Overall flame retardant material
More safe and durable





IP67 waterproof rating
Waterproof and dustproof



Material brass column

1:Anti-electrical shock design

2:Thicker and longer grounding pole

3:Protect the safety of electricity



Industrial waterproof socket

Panel Sockets /wall mounted socket/Plug /coupler

63A/125A/220V-250V/380V-415V

3/4/5P

Active socket

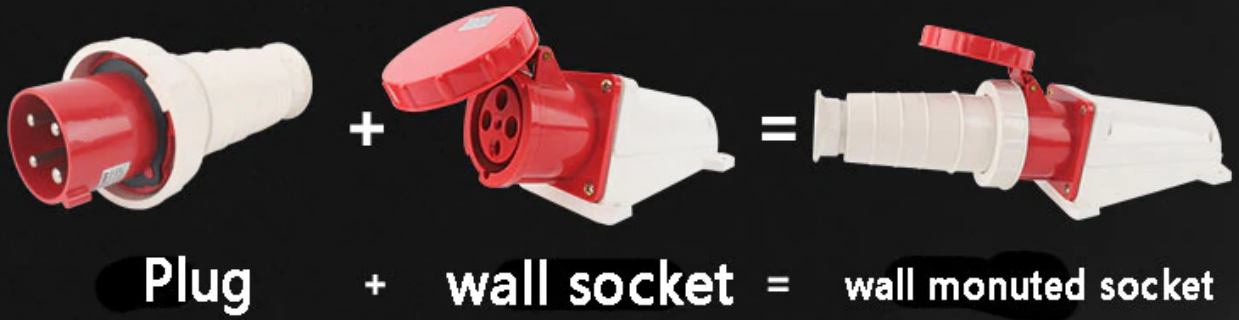


Panel Sockets



Plug + Panel base = Panel Sockets

wall socket





Locking ring

Flame retardant plastic



Waterproof inlet hole at the end

Brass Terminal Blocks



Waterproof fixed double role

Humanized design clip wire



Verification No.: CLZJ20073026098

VERIFICATION OF LVD COMPLIANCE

Applicant: Zhejiang XOMan Electric Co., Ltd.
Address of applicant: No. 2-4, ReXMin North Road, Beibaixiang Town, Yueqing City, Zhejiang Province
Manufacturer: Zhejiang XOMan Electric Co., Ltd.
No. 2-4, ReXMin North Road, Beibaixiang Town, Yueqing City, Zhejiang Province
Product Description: Plug for Industrial Purposes
Model No.: XM-035 63A-6hV415V~3P+N+PE IP67,
XM-034 63A-6hV415V~3P+PE IP67,
XM-033 63A-6hV250V~2P+PE IP67
XM-025 32A-6hV415V~3P+N+PE IP44,
XM-024 32A-6hV415V~3P+PE IP44,
XM-023 32A-6hV250V~2P+PE IP44
XM-015 16A-6hV415V~3P+N+PE IP44,
XM-014 16A-6hV415V~3P+PE IP44,
XM-013 16A-6hV250V~2P+PE IP44
Sufficient samples of the product have been tested and found to be in conformity with
Test Standard: EN 60309-1:1999+A1:2007+AC:2014, EN 60309-2:1999+A2:2012
As shown in the
Test Report Number(s): TLZ 20073026098
Date of issue: July 11th, 2020
Date of expiry: July 11th, 2025

Conclusion

This Verification of LVD Compliance has been granted to the applicant based on the results of the TCF, performed by Global Testing Services Co., Ltd. on the sample of the above-mentioned product in accordance with the provisions of the relevant specific standards and the Directive 2014/35/EU. The CE mark as shown below can be used, under the responsibility of the manufacturer, after completion of an EU Declaration of Conformity and compliance with all relevant EU Directives. The affixing of the CE marking presumes in addition that the conditions in annexes III and IV of the Directive are fulfilled.

Approved by: Hermann Weiler

For and on behalf of
Global Testing Services Co., Ltd



Global Testing Services Co., Ltd

E-mail: info@gt-service.com, http://www.gt-service.com

Floor 2nd, Building D-1, No. 128, Wanda Road, Minhang District, Shanghai, China

Copyright of this certificate is owned by Global Testing Services Co., Ltd and may not be reproduced other than in full and with the prior approval of the General Manager.