

400W frequency converter add RS485 three-phase motor driver MCU T13-400W-12-H single phase input 0.75KW inverter



The parameters параметр

This product is single-phase 220V input, three-phase 220V output

Explanation of common words:

220V single input single output: single-phase 220V input, single-phase 220V output. There are two wires of the motor, single capacitance or double capacitance on motor

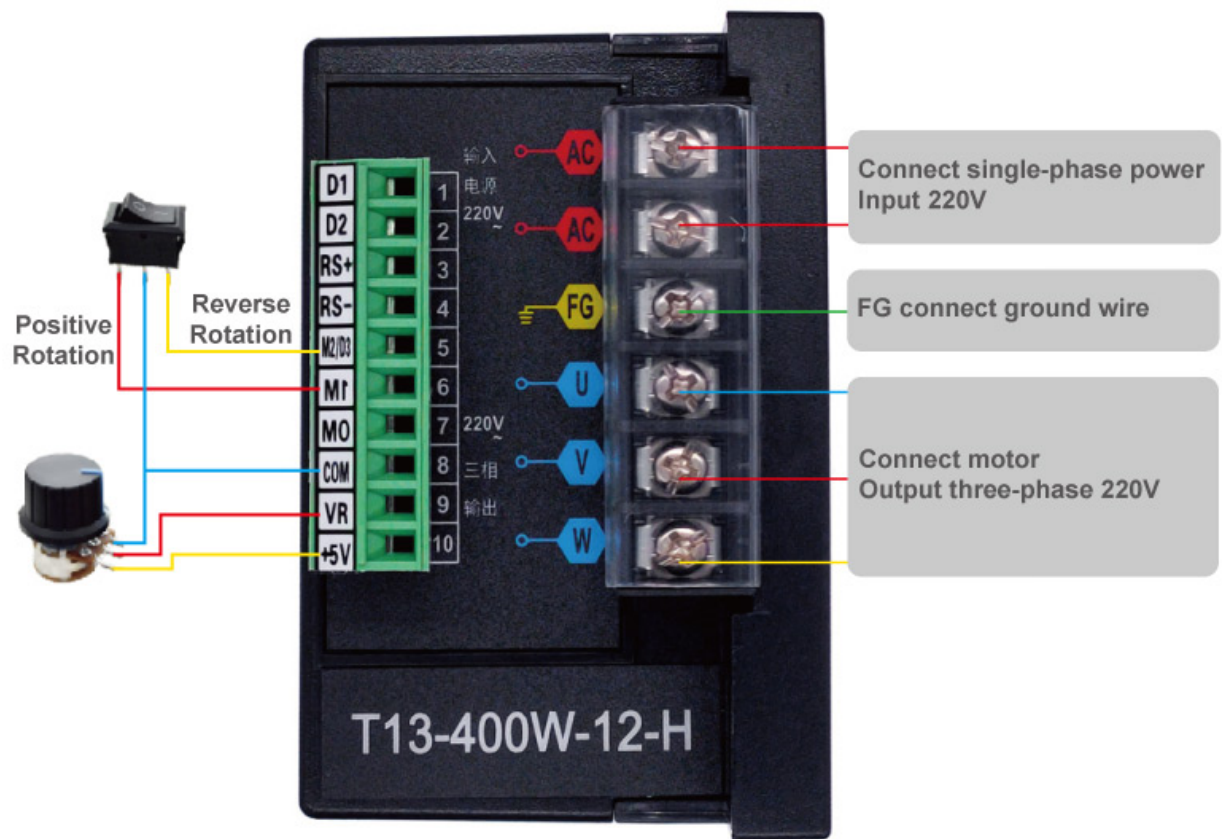
220V single in three out: single-phase 220V input, three-phase 220V output. There are two wires of the motor, and there is no capacitor on the motor

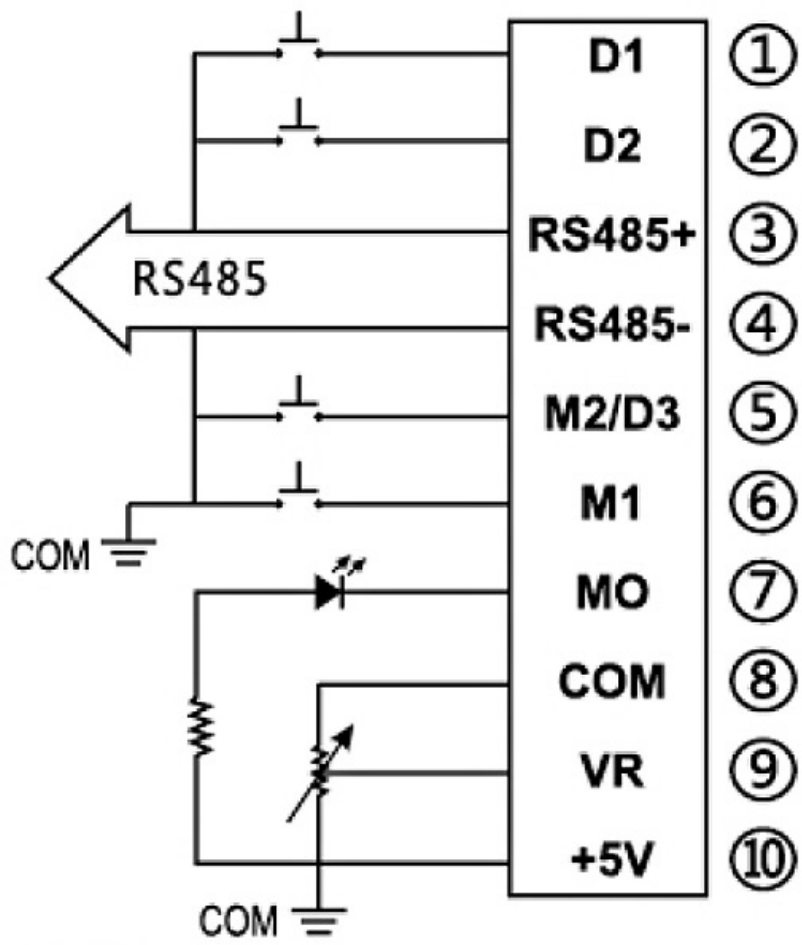
380V three in three out: three-phase 380V input, three-phase 380V output. There are three wires of the motor

220V to 380V single in and three out: single-phase 220V input, three-phase 380V output. Three wires of motor

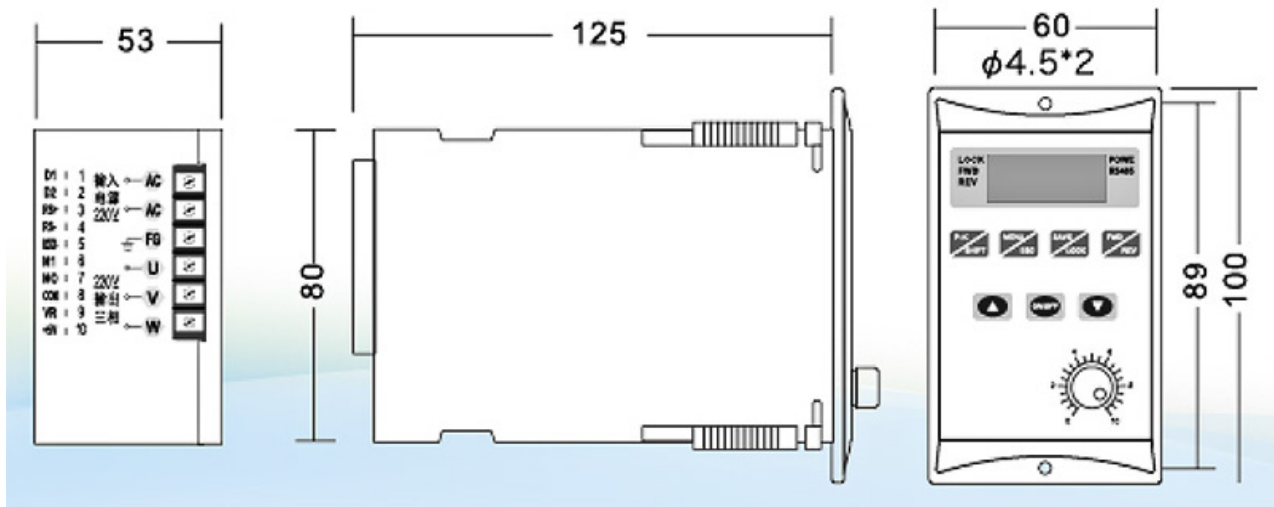








Installation dimension



MODBUS-RTU Protocol Specification V1.3

The data in the protocol include: hexadecimal number, integer, BCD code, floating point number

Register address the attributes in the following table refer to the read-write attributes of data:

R-read W-write R / W-read and write

attribute	address(hex/word)	Register length(word)	data type	describe	explain	Remarks (for example)
Collect data information						
R	0	2	UINT	--	Display panel firmware version number	--
R	1	2	UINT	--	Power driver board firmware version number	--
R/W	2	2	UINT	Hz	Inverter speed setting and speed feedback	500/10=50.0Hz
R/W	3	2	UINT	--	Inverter start stop and running state feedback	1.Forward rotation 2.stop it 3. reversal
R	4	2	--	--	--	spare
R	5	2	--	--	--	spare
R	6	2	--	--	--	spare
R	7	2	--	--	--	--
R	8	2	UINT	V	Bus voltage value	3100/10=310.0 V
R	9	2	UINT	A	Bus current value	132/100=1.32A
R	10	2	UINT	°C	Radiator temperature	43=43°C
R	11	2	UINT	--	--	spare
R	12	2	UINT	--	--	spare
R	13	2	UINT	--	--	spare
R	14	2	UINT	--	--	spare
R	15	2	UINT	--	--	spare
R	16	1	UINT	--	--	spare
R	17	1	UINT	--	--	spare



The Description

ОПИСАНИЕ









Buyer tips

покупатель советы