

dprofy

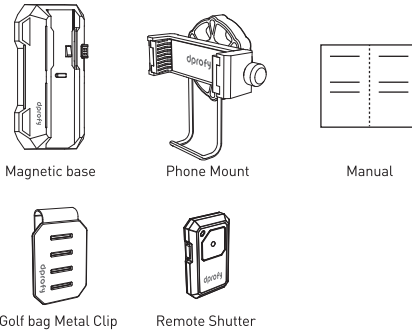
User Manual

Golf Cart Magnetic Phone Mount And Training Aid

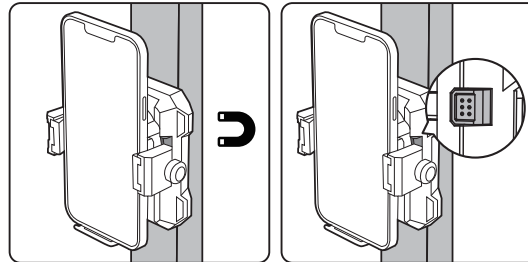
Model: GM10

www.dprofy.com

Package Contents:



Attaches To Golf Cart:

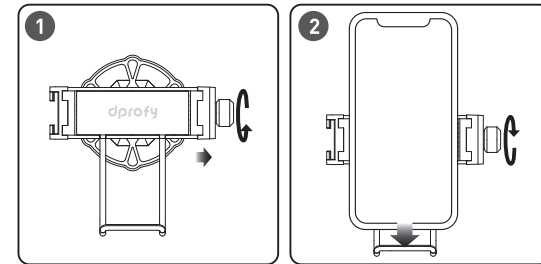


Strong magnets can firmly fix the phone holder on the golf cart.

Press the blue release button on the right side of the base. The phone holder can be quickly removed.

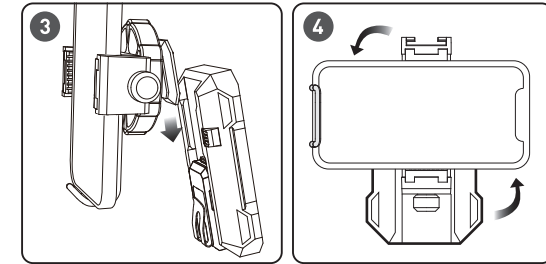
1

Position the phone:



Turn the twist lock counterclockwise. Then pull the clamp arm on the right to the right. Adjust to fit the size of the phone. (Holds phones 2.4 to 3.23 inches wide.)

Put the phone into the bottom holder. Then tighten the twist lock clockwise. Until the phone is completely fixed.

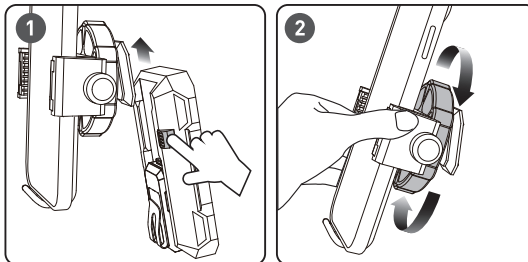


The bracket is aligned with the base card slot and inserted.

360° rotatable pivot, allows you to rotate any angle you desired, support both landscape and portrait viewing.

2

Adjust the tightness of the rotation Ball:

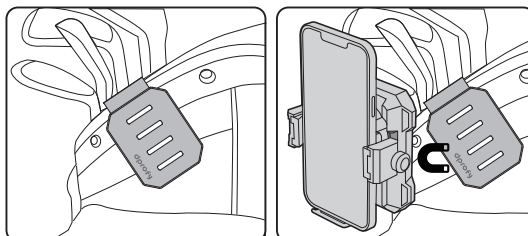


Press the blue release button on the right side of the base, remove the phone holder upwards.

Hold the mount with your hands and rotate the washer on the back. Adjust to the state you want.

Golf Bag Clip:

A perfect pairing for the Golf Cart Magnetic Phone Mount. Can also be used to quickly and easily use magnetic golf equipment and accessories place it conveniently on your golf bag.

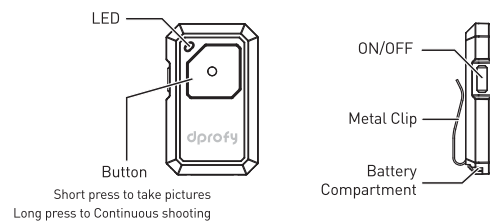
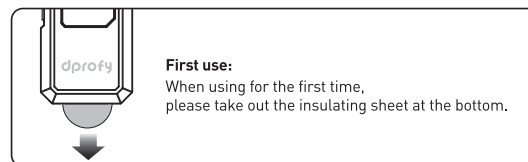


Insert the metal clip of the golf bag on the golf bag.

Then attach the magnetic phone holder to the metal clip.

3

Bluetooth Remote Shutter:



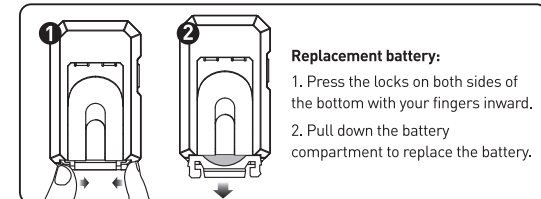
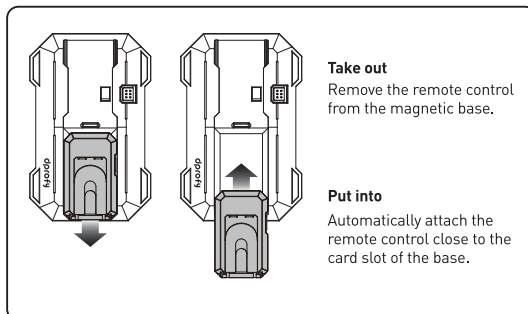
Short press to take pictures
Long press to Continuous shooting

1. Long press the power button to turn on;
2. Turn on the Bluetooth of the mobile phone. Select and Pair the device of **GR10**;
3. Open the camera / video original ecological app;
4. Click the Button of Bluetooth shutter to use.

Other:

1. Without opening the camera software: short press the ON/OFF button volume+; short press the camera button volume -.
2. When the screen of some Android phones is off, you can double-click the camera button to turn on the phone's camera function.

4



Note:

In order to save power, if it doesn't work for 90 seconds after powering on, it will enter the standby state. Before each use, please short press the switch, the indicator light flashes, you can use it normally. If the indicator light does not flash, please press and hold the ON/OFF button to turn it on.

5