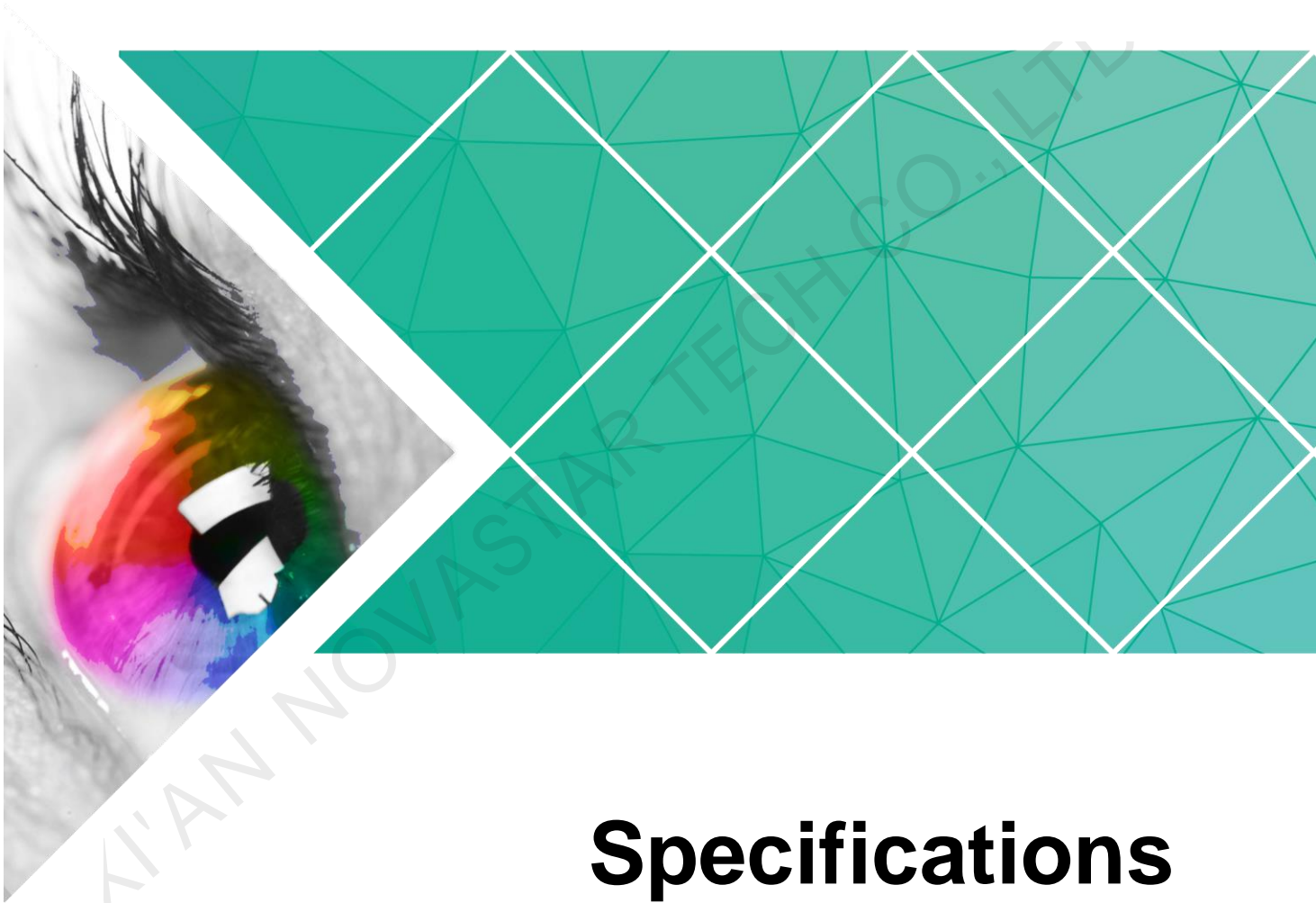


NS060-5A

Light Sensor



Specifications


Document Version: V1.0.3

Document Number: NS110100735

Copyright © 2019 Xi'an NovaStar Tech Co., Ltd. All Rights Reserved.

No part of this document may be copied, reproduced, extracted or transmitted in any form or by any means without the prior written consent of Xi'an NovaStar Tech Co., Ltd.

Trademark

 is a trademark of Xi'an NovaStar Tech Co., Ltd.

Statement

You are welcome to use the product of Xi'an NovaStar Tech Co., Ltd. (hereinafter referred to as NovaStar). This document is intended to help you understand and use the product. For accuracy and reliability, NovaStar may make improvements and/or changes to this document at any time and without notice. If you experience any problems in use or have any suggestions, please contact us via contact info given in document. We will do our best to solve any issues, as well as evaluate and implement any suggestions.

XI'AN NOVASTAR TECH CO., LTD.

Change History

Version	Release Date	Description
V1.0.3	2019-02-22	Optimized the overview chapter.
V1.0.2	2017-10-20	<ul style="list-style-type: none">• Optimized the document structure.• Added the applications chapter.
V1.0.1	2017-03-24	Optimized the document structure.
V1.0.0	2016-10-08	First release

Contents

Change History	ii
Contents	iii
1 Overview	1
2 Features	1
3 Applications	2
4 Dimensions	3
5 Assembly	4
6 Specifications	5

XI'AN NOVASTAR TECH CO., LTD.

1 Overview

The NS060-5A is a light sensor designed and produced by NovaStar. It can be connected to NovaStar sending cards, asynchronous cards or multifunction cards for ambient brightness monitoring, allowing for automatic brightness adjustment of LED display.

The sensor body of NS060-5A is made of aluminum alloy. The sensor surface adopts micro-arc oxidation process, and therefore it is highly UV-resistant and will not be discolored. The joint between the sensor body and male connector has a very-deep groove and is extremely waterproof.

XI'AN NOVASTAR TECHNOLOGY

2 Features

- Ambient brightness monitoring, allowing for automatic brightness adjustment of LED display
- Capable of connecting to sending cards (MSD300, MSD600, MCTRL300, etc.), asynchronous cards or multifunction cards
- A 5-meter cable provided, extendable to 100 meters
- Mildew, moisture and salt-mist resistant design, ideal for outdoor applications
- No external power supply required

3 Applications

The NS060-5A light sensor can work with devices that have light sensor connectors, such as sending cards, asynchronous cards or multifunction cards. It must be placed in the same environment with the LED display.

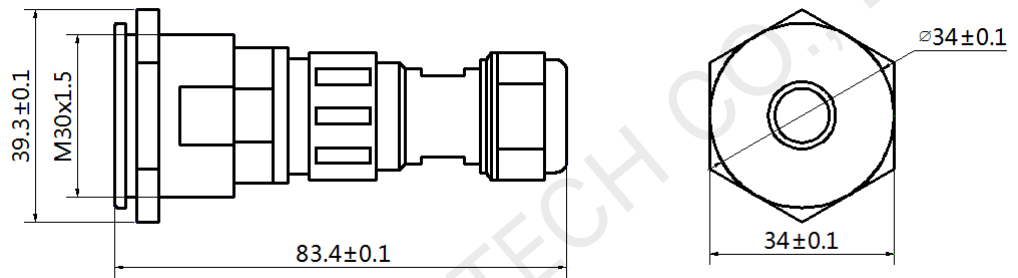
The connection between the light sensor and multifunction card is shown as below.

Figure 3-1 Connection to MFN300 multifunction card



4 Dimensions

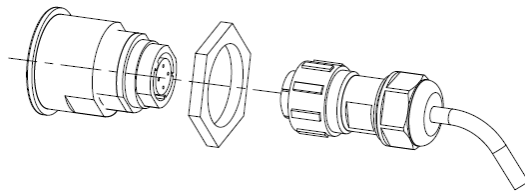
Figure 4-1 Dimensions of NS060-5A light sensor



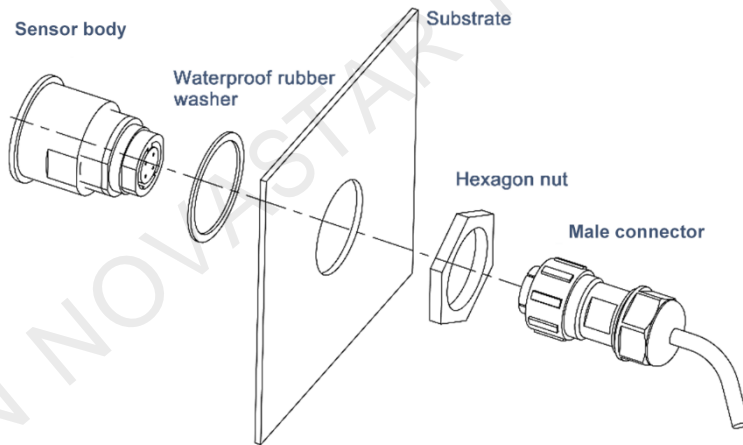
Unit: mm

5 Assembly

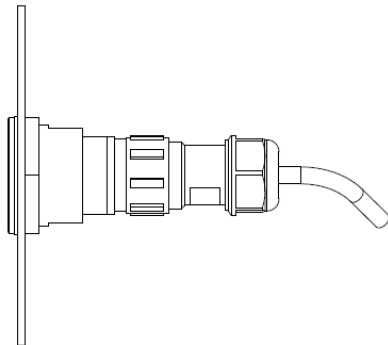
Preparation



Assembly



Complete



Tips: It is recommended that you apply outdoor waterproof adhesive to the joint between the sensor body and substrate after assembly, and check the joint regularly.

6 Specifications

Item	Description
Rated voltage	5 VDC
Operating temperature	-20°C–70°C
Operating humidity	0% RH–99% RH
Brightness measurement range	0 lux–65535 lux
Cable length	5 m