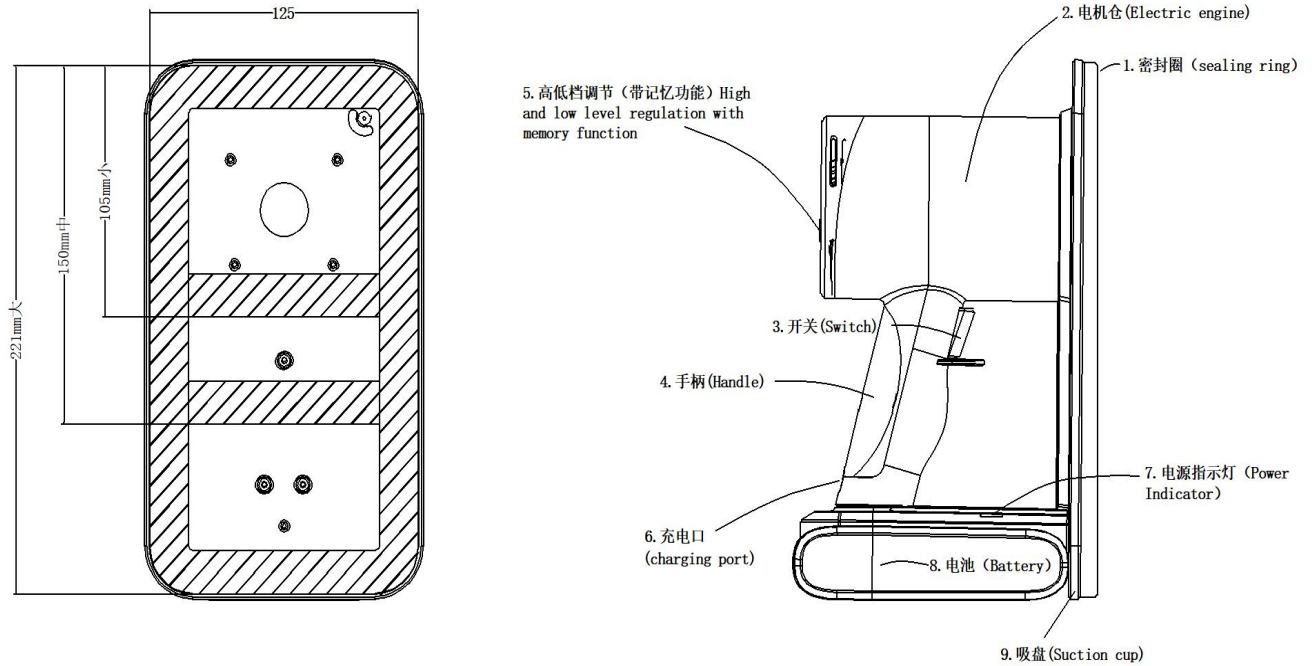


# 显示屏吸板器说明书

## 一、产品示意图

### Product schematic



1. 密封圈 (Sealing ring)
2. 电机仓 (Electric engine)
3. 开关 (Switch)
4. 手柄 (Handle)
5. 高低档调节 (带记忆功能) High and low level regulation with memory function
6. 充电口 (charging port)
7. 电源指示灯 (Power Indicator)
8. 电池 (Battery)
9. 吸盘 (Suction cup)

## 二、工具规格以及适用显示屏型号

### Tool description and applicable display model

产品重量 (Product net weight): 净重 0.95kg , 毛重 1.8kg

长宽高 (L\*W\*H) : 275\*180\*170MM

吸盘尺寸 (Suction cup size) :

1、125\*221MM    2、125\*150MM    3、125\*105MM

适用于模组尺寸 (Application) : 小间距前维护全尺寸通用 (small pitch led modules) 。

### 三、工具参数

#### Tool parameter

##### 1. 蓄电款 (HX-03Pro)

充电器充电电压 (Charger charging voltage) : 100-240V

充电器输出电压 (Charger output voltage) : 25.2V1A

持续放电时长 (Continuous discharge duration) : 20MIN

功率: 350W

备注: 本数据为实验室数据, 根据使用环境变化, 数据会有所波动

Note: This data is laboratory data, change according to the use environment, data will fluctuate

待机功耗(Standby power consumption): 10uA

工作环境(working environment): -20°C-45°C 15%-85%RH

##### 2. 220V 直插充电款 (HX-02)

电压 (Charger charging voltage) : 220V/50hz

功率: 360W

工作环境(working environment): -20°C-45°C 15%-85%RH

### 四、充电说明:

#### Charging instruction:

将充电器插入插座, DC 端插入充电座, 打开总开关, 通过电量指示灯查看充电状态, 待充满电后, 关闭总开关, 拔掉充电器即可。为了便于应急使用, 本工具支持边冲边放, 不过此功能对电池会有寿命影响, 建议仅在应急状态下使用。

Plug the charger into the socket, DC end insert into the charging stand, open the main switch, check the charge status through the battery indicator, after being fully charged, turn off the main switch, pull out the charger. For emergency use, this tool supports use while charging, but this function has an impact on battery life, suggest to use only in emergency situations.

### 五、产品优势

#### Product advantage

- 1、体积小, 重量轻, 方便携带 (Small size, light weight, easy to carry) ;
- 2、绝佳人体工学设计, 使用更方便 (Excellent ergonomic design for easier use) ;
- 3、真空度阀门设计, 适用更多型号 (Vacuum valve design for more models) ;
- 4、独特风道设计, 散热更好, 延长马达寿命 (Unique air duct design for better heat dissipation and longer motor life) ;
- 5、独特限位设计, 防止 PCB 翘曲掉灯 (Unique limit design prevents PCB warp and light falling off) ;
- 6、独特防静电设计, 保护模组安全 (Unique anti-static design to protect module security) ;
- 7、人性化背包设计, 高空作业更安全 (User-friendly backpack design, safer work at height) ;
- 8、支持边冲边放, 解决临时亏电痛点 (Supports use while charging, solve the temporarily no power) ;

9、适用于全系模组，通用度更高（Suitable for all series of modules, more universal）；

## 六、使用操作说明书

### Use operating instruction

#### 1.蓄电款操作说明

手持工具手柄，然后将吸盘对准模组中心位置，轻按开关按键（按第一次为开启工作状态，第二次关闭）。圆形状按键调节档位（档位键有记忆功能）。轻轻将模组平稳脱出，另一只手将模组拿稳后，轻按开关按键按钮关闭。

备注：若长时间不用，请充满电后储存，并且定期充电，保持电池满电状态。

Hold the tool handle, and then align the suction at the center of the module, and press the switch button (the first time it is turned on, the second time is off). round Press to adjust the gear (the gear button has memory function). Gently pull the module out steadily, hold the module firmly with the other hand, and lightly press the switch button to turn it off.

Remarks: If do not use it for long time, please charge it regularly to keep the battery fully charged.

#### 2.充电款使用说明

长按开关键开启，松开关闭。

Push the swift to start machine and leave it to close .

## 七、保修政策（Warranty Policy）

正常使用，整机质保一年（Normal use, the whole machine is guaranteed for one year）

1、未使用标配充电器、吸入杂物、淋雨泡水、高空跌摔、私自拆解工具等人为损坏不在保修范围内。

No warranty of man-made damage like not using the standard charger, inhalation of debris, raining, fall from height, private dis-assembly tool and so on.

2、因充电电压不稳造成的工具烧毁，不在保修范围内。

No warranty of tool burned due to unstable charging voltage.

3、因充电环境的变化，和使用频率的不同，电池寿命会存在合理损耗，正常的电池寿命损耗不在保修范围内。

Because of change charging environment and different frequency of use, battery life will reasonable damage , normal battery life damage is not covered by the warranty.

4、可充电电池组禁止拆解，撞击，挤压或者投入火中，若出现严重膨胀，请勿继续使用。请勿置于高压环境中。

The rechargeable battery pack is forbidden to be disassembled, hit, squeezed or thrown into fire. If it is severely swollen, please do not continue to use it. Do not keep it in hyperbaric environment.

服务保修卡 Warranty card

用户姓名:
用户地址:
用户电话:
购买型号:
购买日期:
注意: 请妥善保管保修卡, 需要服务时, 凭此卡与本公司联系

产品名称: LED 前维护吸盘	
产品规格:	HX-
执行标准:	GB17625.1-2012;GB4343.1-2018; GB4706.1-2005; GB4706.7-2014;
出厂日期:	
本产品经检验合格, 准予出厂	
检验员: 01	检验单位: