

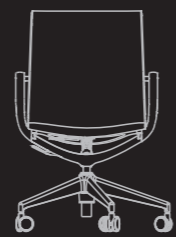
THE CHARM OF PURITY



mercury
wing

mercury wing

As at twilight when the sun and the moon shine together,
Be it in white or black,
Mercury Wing allures you with ultimate purity.



mercury wing



bartoli ✨ design

Designed by the famous Italian studio, Bartoli Design.



mercury
wing

Elegant and comfortable leather headrest.

Extreme elastic nylon frame.

Smoothly curved appearance.

Pure and flawless white.

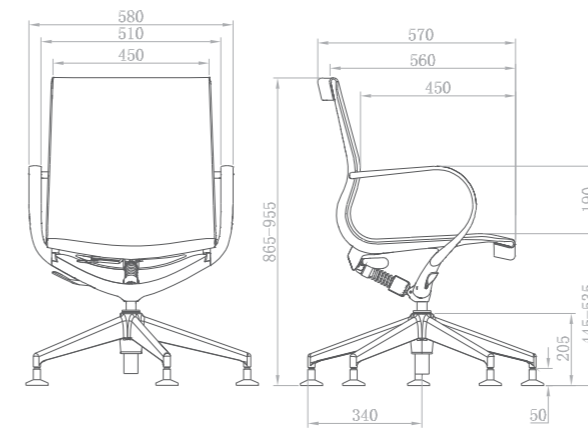
Mysterious and alluring black.



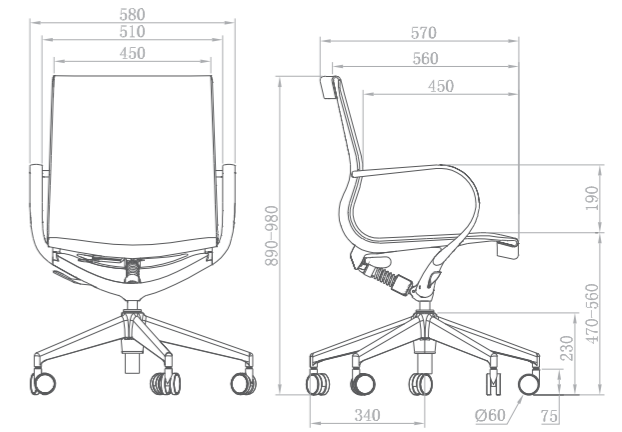


Specifications

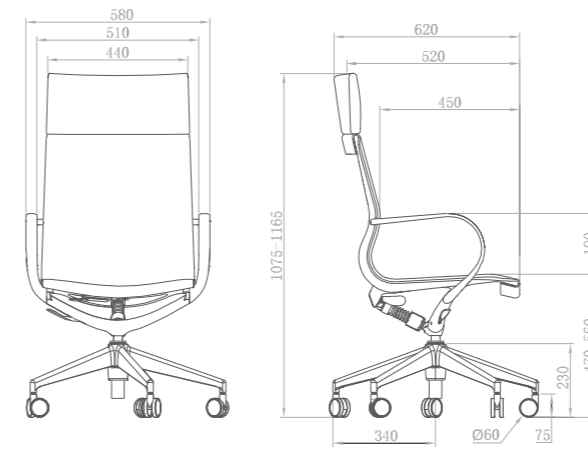
MEDIUM BACK



MEDIUM BACK



HIGH BACK



HIGH BACK

