



MATCH

SIT, FIT & MATCH

MATCH TASK CHAIR

Design, functionality and comfort in 1 chair

the match of standards

constructive U-shape frame integrates mechanism, back, seat and armrests

flexible back in 3D netweave, breathing and comfortable

4D adjustable armrests, wide, comfortable and touchable

2-way adjustable sliding seat with unique integrated front adjustment

ventilated seat with ergonomic seat cushion

synchro-tilt mechanism, designed and engineered by ASIS for outstanding comfort

smart wire control, easy and reliable





MATCH



Adjustable lumbar support



Unique 2-way
seat adjustment



Functional smart wire control



Ventilation slots for
preconditioned seating





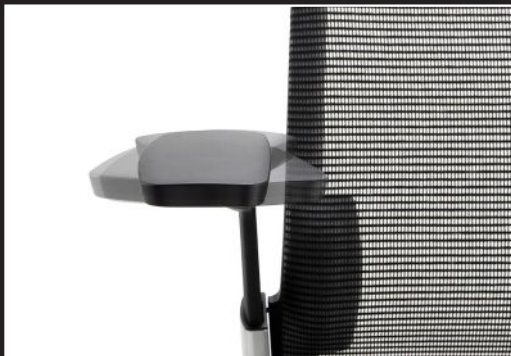
Constructive U-frame carries the chair and creates the MATCH of all components



4D armrests

- high – low
- forward – backward
- left – right
- diagonal

...always a MATCH





Specific for Match designed mechanism provides optimal ergonomic seating comfort including easy to handle weight adjustment

MATCH task chair

Flexible back in 3D netweave, breathing and comfortable

Wide, comfortable, touchable 4D adjustable armrests

Constructive U shape frame matches back, seat and armrests

Adjustable lumbar support

Smart wire control with functional handles

Ventilated seat frame

Intelligent 2-way seat depth adjustment

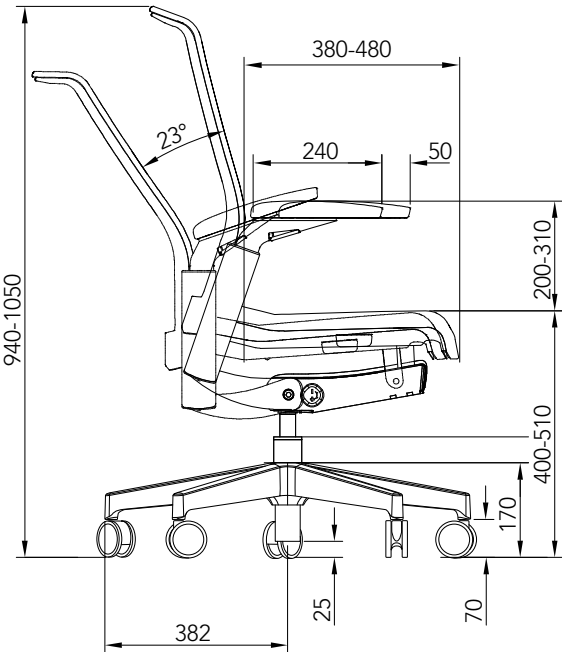
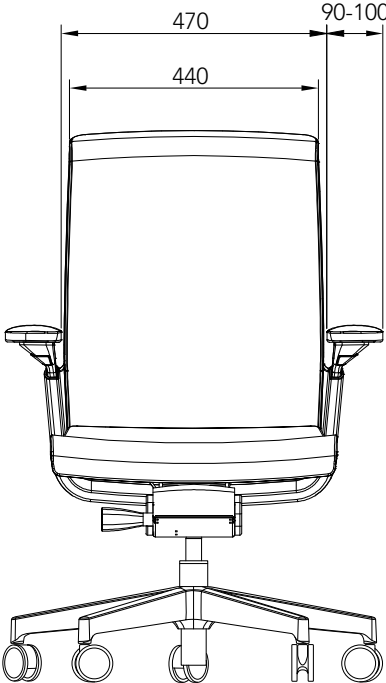
MATCH synchro tilt mechanism to create outstanding comfort

Multifunctional castors. Tread suitable for hard and soft flooring

Detailed shaped MATCH base



DIMENSIONS



DIMENSIONS

