

QUICK USER GUIDE

In the Box

aTLi EON Camera Battery Quick User Guide

Silicone Case Lens Hood UV Filter

Charging Cable 1/4"-20 Nut Mini Tripod

1

- 1 Power Button
- 2 External Flash Interface
- 3 USB Type C (For Power Only)
- 4 Status LED
- 5 Focus Ring
- 6 Focus Mark
- 7 Micro SD Card Slot
- 8 Battery Cover Opening Slot
- 9 Tripod Mount (Size: 1/4" - 20)

LED Status:

- OFF: Power OFF
- Orange: Not Ready
- Red: Charging
- ★ Flashing Orange: Sleep
- ★ Flashing RED: Ready(Power Low)
- Green: Ready / Fully Charged

2

Installing the Battery

a. Open the cover by pulling from the Battery Cover Opening Slot.
b. Insert Battery as shown.
c. Close the cover.

3

Installing the aTLi Cam app

Use a smartphone to scan the QR code below and then proceed with the app installation.

aTLi Cam QR Code

aTLi Cam

4

Registering the Camera

a. Press and hold the power button for 4-5 seconds to turn on the Camera. Wait approximately 30 seconds, until the Status LED changes from ORANGE to GREEN.
b. Launch the aTLi Cam app and then click on Add Camera to scan the QR code below.

5

Fitting the Silicone Case

a. Slide in the camera in this direction.
DO NOT PULL the side with the flaps.

b. Pull this side of the Case to cover Camera.

c. Align and press the flaps to seal the respective ports.

6

Fitting the Lens Hood

a. Slide Lens Hood onto focus ring.
Align raised line on Lens Hood with the green focus mark.

b. Raised line for focus ring alignment.

7

Installing the UV Filter

a. Press the UV Filter downward till it fits in the groove inside the Lens Hood.

b. Cross Section

8

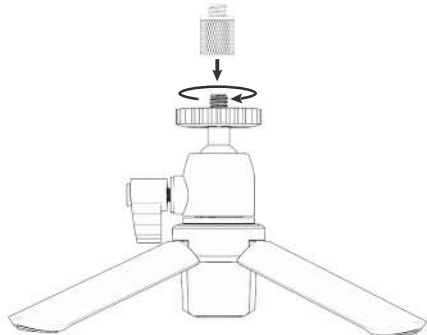
Mounting the Mini Tripod

Loosen latch to adjust the Ball Head, tighten latch to lock in place.

9

Using the Adaptor Nut (1/4"-20 Nut)

a.



Note: when the Camera is fitted in a Protective Silicone Case, the mounting screws of some tripods may be too short, in which case the Adaptor Nut should be used.

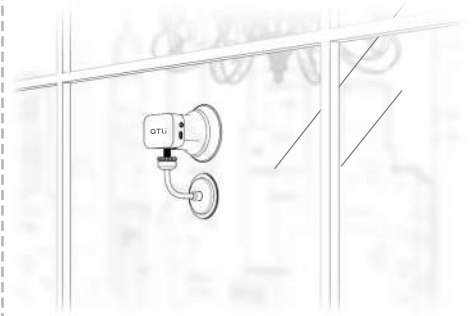
10

b.



11

Using the Lens Hood



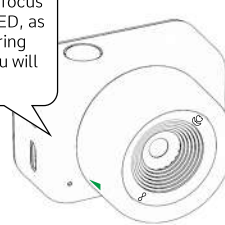
The Lens Hood can prevent glare and improve image quality in different lighting conditions. For example, it can reduce glare caused by indoor light reflections when shooting through a window.

12

Adjusting Camera Focus Manually

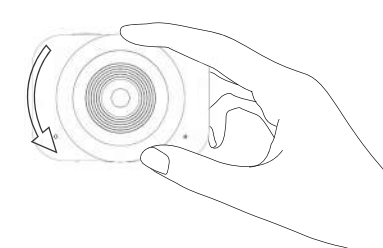
a. Turn the focus ring fully clockwise to set the camera focus for objects at distances ranging from 80 cm to infinity. This is the factory preset focus setting.

The focus ring is in the preset position when the green focus marker aligns with the LED, as shown. When the focus ring reaches this position, you will feel it click into place.



13

b. By turning the focus ring anti-clockwise and previewing the image via the aTLi Cam app, you can set the camera focus for objects ranging in between 7 to 80 cm away. Please turn the ring slowly and steadily until the image is sharp.



14

Basic Specifications

Lens : 4 Glass Elements
Aperture : F2.8
Field of View : 72°±5%
Photo Resolution : 2688 x1520 Pixels
Video Resolution : 1080P
Pixel Size : 2µm*2µm
IR Cut Filter : App Control
Focus Mode : Manual
Focus Range : 7cm to Infinity
Exposure Metering : Center-Weighted/Partial-Weighted
Shutter Speed : 1/20000 - 1.4s
Language : English/中文
APP : iOS/Android

Storage and Connectivity

Storage: 16GB Micro SD Pre-installed (Support Up To 128GB)
Wi-Fi : 802.11n (Approx. Range 5 Meters Radius)

15

Photo / Video

Photo Format : JPEG
Video Format : H.264 MP4
Play Back Frame Rate : 25fps
Exposure Compensation : ±4EV
ISO : 100 - 4000
Shooting Mode : Time-Lapse/Photo/Video

Battery / Charging

Battery Type : Li-ion
Capacity : 2050 mAh
Voltage : 3.7V
Charging Limited Voltage : 4.2V
Charging Method : USB Cable
Operational Environment : 0°C - 40°C

Design

Weight : 125g (With Battery)
84g (Without Battery)
Dimension : 54*70*50 mm

16

Scan to watch



ATLi EON Beginner's Tutorial

Search #ATLiTimeLapse to find us on:



aTLi EON includes a one year limited warranty, please visit www.atliview.com/warranty.

Atli World Limited

www.atliview.com

2020.5.1.1