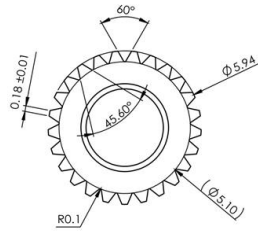
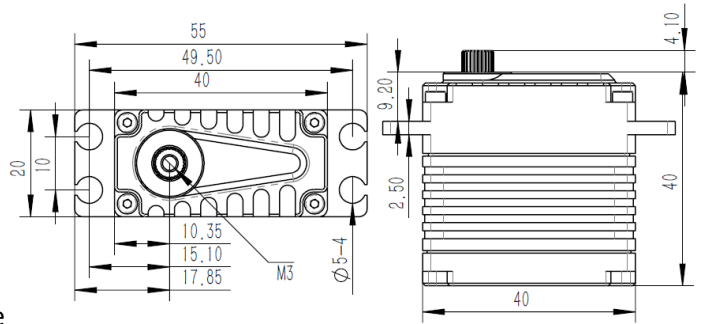


X20-xx-M-805-1 Technical Specification



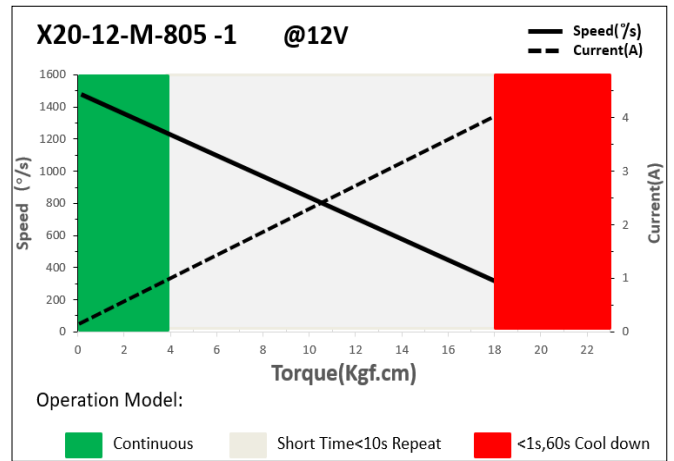
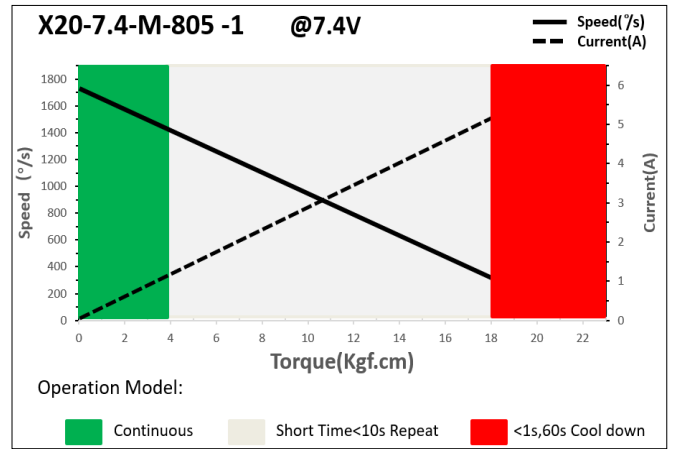
25T 6mm Output Shaft Spline



1. Operating Data

	X20-7.4-M-805-1	X20-12-M-805-1
Rated Voltage	DC7.4V	DC12V
Voltage Range	DC6.0V-8.4V	DC9.0V-13V
Torque	9.0Kgf.cm@6.0V	9.0Kgf.cm@9.0V
	11.0Kgf.cm@7.4V	11.0Kgf.cm@12V
	12.0Kgf.cm@8.4V	12.0Kgf.cm@13V
Speed	0.040sec/60°@6.0V	0.050sec/60°@6.0V
	0.035sec/60°@7.4V	0.040sec/60°@7.4V
	0.030sec/60°@8.4V	0.035sec/60°@8.4V
Working Frequency	760us/560Hz	1520us/333Hz
Temperature Range	-10°C.....+65°C	
Case Material	Aluminum Alloy	
Motor Type	Brushless DC Motor	
Gear Set Material	Hardened Steel	
Position Sensor	Contactless	
Case Dimensions	40mm*20mm*40mm±0.2mm	
Weight	75g±10%	
Ball Bearing	6 BB	

2. Performance



3. Command signal

PWM Command Interface

Signal Voltage	HIGH: min.3.3V, max.5.0V Low: min.0.0V, max.1.5V	
Pulse Lengths	X20-7.4-M-805-1	450us-1050us
	X20-12-M-805-1	900us-2100us
Working Frequency	X20-7.4-M-805-1	760us/560Hz
	X20-12-M-805-1	1520us/333Hz

4. Electrical Connection

Pin	Pin Assignment		
	1	Orange	Signal
2	Red	DC+	Supply Voltage
3	Brown	DC-	Supply Ground