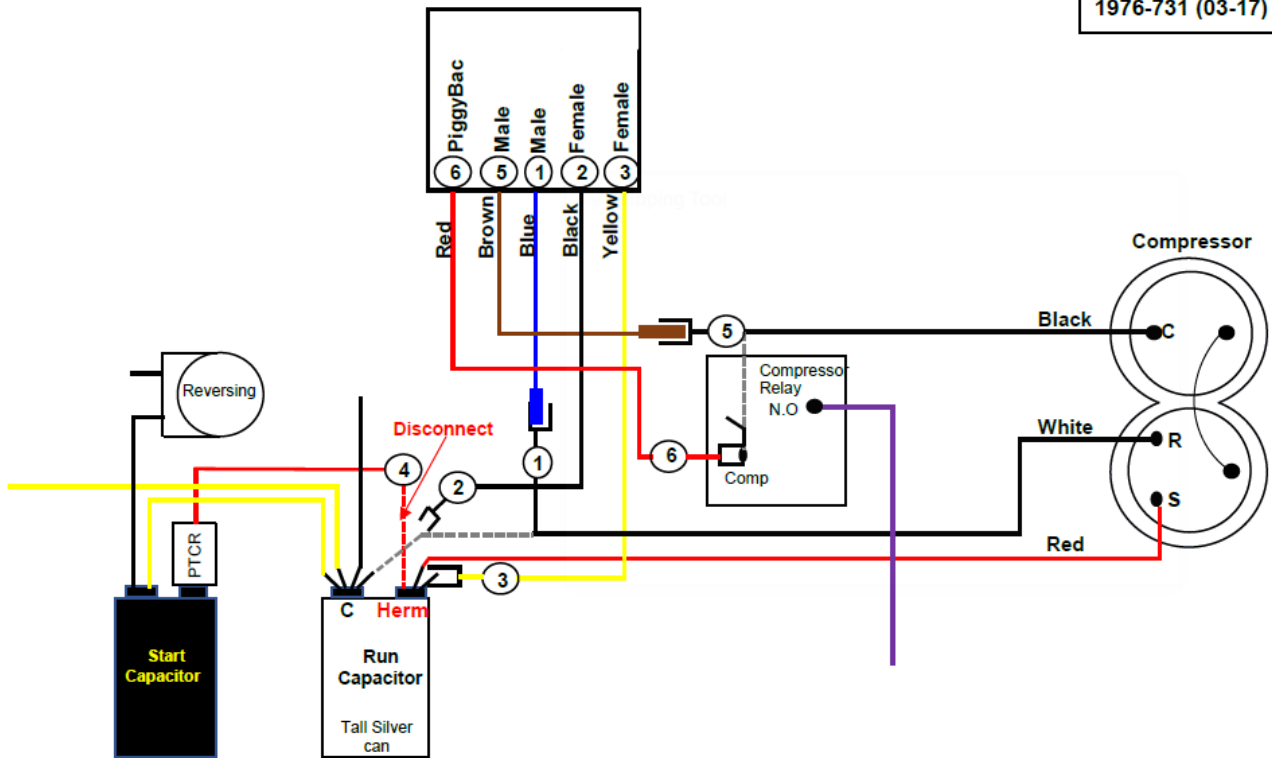


Coleman Mach  
1976-731 (03-17)



COLEMAN

1976-731

Route All SoftstartRV wires into the electrical box. Crimp a connector on the wires as indicated in the Softstart box at the top of the drawing.

Step 1) Follow the White compressor wire to the "C" terminal of the RUN Capacitor. Disconnect and connect it to the Blue SoftstartRV wire.

Step 2) Connect the Black SoftstartRV wire on the terminal the White compressor wire was on.

Step 3) Follow the Red compressor wire from the compressor to the "HERM" terminal. DO NOT DISCONNECT RED COMPRESSOR WIRE. Connect the Yellow SoftstartRV wire on the Terminal next to the Red compressor wire if it is available (see next step).

Step 4) IF you see a 2nd Red wire next to the Red compressor wire DISCONNECT it, tape the end and drop it. Then connect the Yellow SoftstartRV wire on the Terminal where you pulled the second Red wire off.

Step 5) Follow the Black compressor wire to the Compressor relay where it has a second Black wire piggybacked on to it. Pull off the second Black wire that was piggybacked to the Black Compressor wire. Connect the Brown SoftstartRV wire to the Black compressor wire.

Step 6) Connect the Red SoftstartRV wire (you have already put a piggyback connector on it) to the Relay Terminal where you pulled the Black Compressor off. Now take the loose Black wire and put it on the piggyback Red SoftstartRV wire.

Before turning the power back on, secure wires to prevent the fan from pulling them in. Turn Power and A/C breaker on, Turn Fan on High until you hear it running, Turn A/C to Auto Cool set Thermostat to 55 degrees.

Look at the SoftstartRV for a Green light (There may be a full 3 min delay before the Green light comes on).

When you see the Green Light, Turn the power off and replace all covers then turn the A/C back on and allow it to run for 30 min at about 2 degrees below the outside temperature which should give it time to cycle a few times.