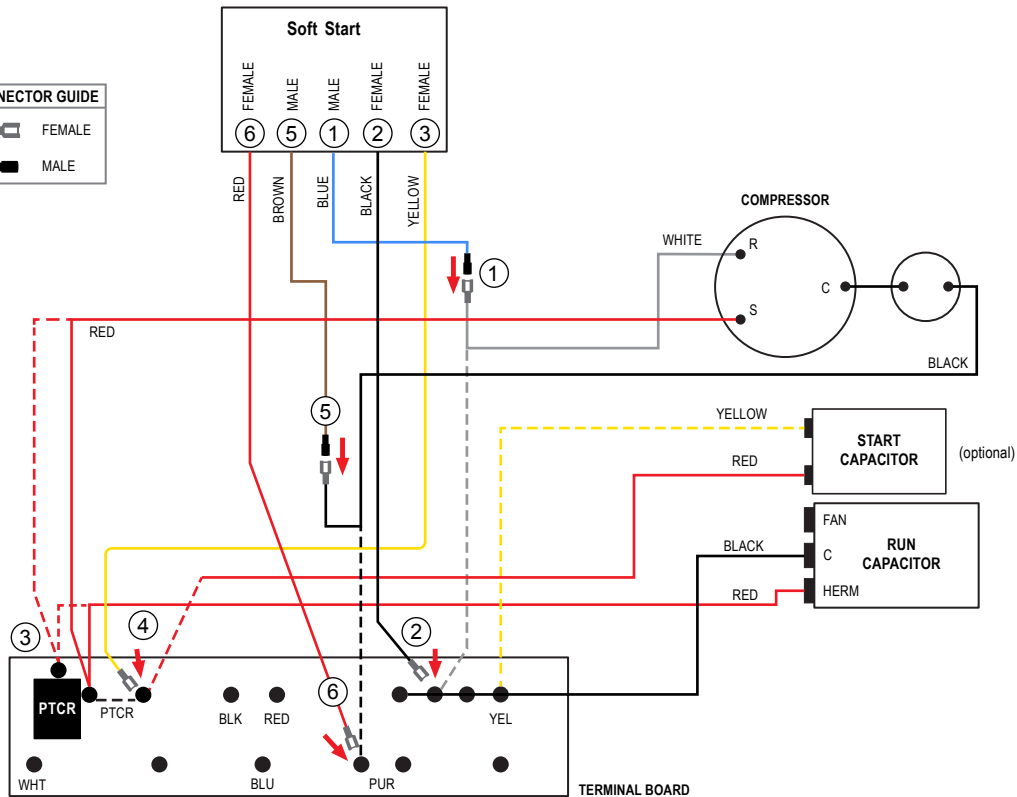


### WIRE CONNECTOR GUIDE



### TURN ALL POWER OFF BEFORE STARTING INSTALLATION.

Route ALL SoftStart wires into the electrical box. Then crimp Connectors onto all SoftStart wires as indicated in drawing.

- Step ① Follow White Compressor wire to Terminal Board. Disconnect from Terminal Board and connect to Blue SoftStart wire.
  - Step ② Connect Black SoftStart wire to the terminal on the Terminal Board that the White Compressor wire was on.
  - Step ③ Disconnect black PTCR from board. Disconnect the double Red wires from PTCR and connect them to PTCR terminal (stamped on Terminal Board).
  - Step ④ Disconnect the single Red wire on terminal next to PTCR and seal end with tape. Connect Yellow SoftStart wire to the terminal that the single Red wire was on.
  - Step ⑤ Disconnect Black Compressor wire from Terminal Board. Connect Black Compressor wire to Brown SoftStart wire and tape connection with electrical tape.
  - Step ⑥ Connect Red SoftStart wire to the terminal that the Black Compressor Wire was on.
- Secure all wires. Tape connections with electrical tape.

Turn Power and A/C Breaker on. Turn A/C to Auto Cool setting and set the thermostat to 55°F.

Look at SoftStart LED lights. Green light should be "on". Green light means the Compressor is running (there may be a full 3-minute delay before Green light comes on). **IF there is no Green light after 4 minutes**, call SoftStart Tech Support for assistance.

After establishing Green light operation, re-install all A/C covers.

Turn A/C on, set near to outdoor temperature and run for 30 minutes.

After 30 minutes, operate A/C normally.

Wiring Diagram for Coleman Mach 1976C613 (05-17) TB