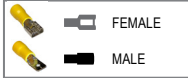
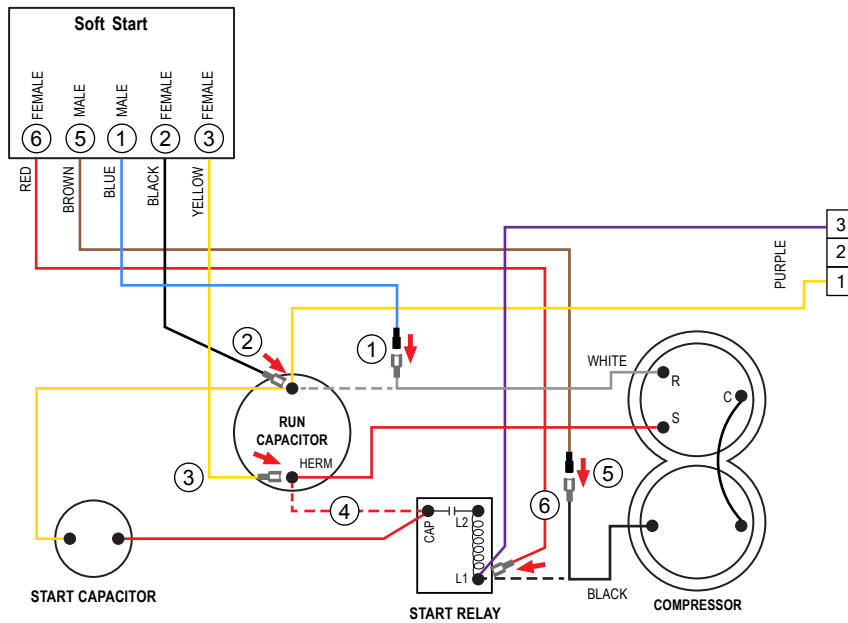


WIRE CONNECTOR GUIDE



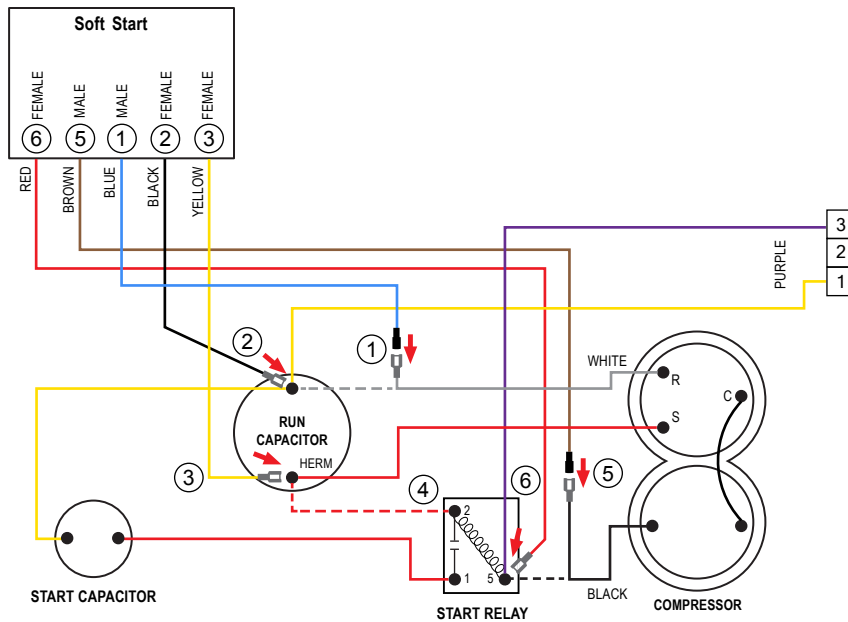
A

[WITH
TIMED MOTOR
STARTING RELAY]



B

[WITH
POTENTIAL MOTOR
STARTING RELAY]



TURN ALL POWER OFF BEFORE STARTING INSTALLATION.

NOTE: The instructions for diagrams A and B are the same. The difference is the type of Start Relay used in the A/C system.

Route ALL SoftStart wires into the electrical box. Then crimp Connectors onto all SoftStart wires as indicated in drawing.

- Step ① Follow White Compressor wire from Compressor to Run Capacitor. Disconnect from terminal and connect it to Blue SoftStart wire. Seal connection with electrical tape.
- Step ② Connect Black SoftStart wire to the terminal that the White Compressor wire was on.
- Step ③ Connect Yellow SoftStart wire on terminal next to Red Compressor wire on HERM side of Run Capacitor.
- Step ④ **IF** there is a second Red wire next to Red Compressor wire on HERM side of Run Capacitor, disconnect it, seal end with tape and drop it.
- Step ⑤ Follow Black Compressor wire to the Start Relay and disconnect it. Connect Black wire to the Brown SoftStart wire. Tape connection.
- Step ⑥ Connect the Red SoftStart wire onto the terminal that the Black Compressor wire was on.

Turn Power and A/C Breaker on. Turn A/C to Auto Cool setting and set the thermostat to 55°F.

Look at SoftStart LED lights. Green light should be "on". Green light means the Compressor is running (there may be a full 3-minute delay before Green light comes on). **IF there is no Green light after 4 minutes**, call SoftStart Tech Support for assistance.

Re-install all A/C covers.

Turn A/C on, set near to outdoor temperature and run for 30 minutes.

After 30 minutes, operate A/C normally.

Wiring Diagram for Coleman Mach 1976B136 (2-95)