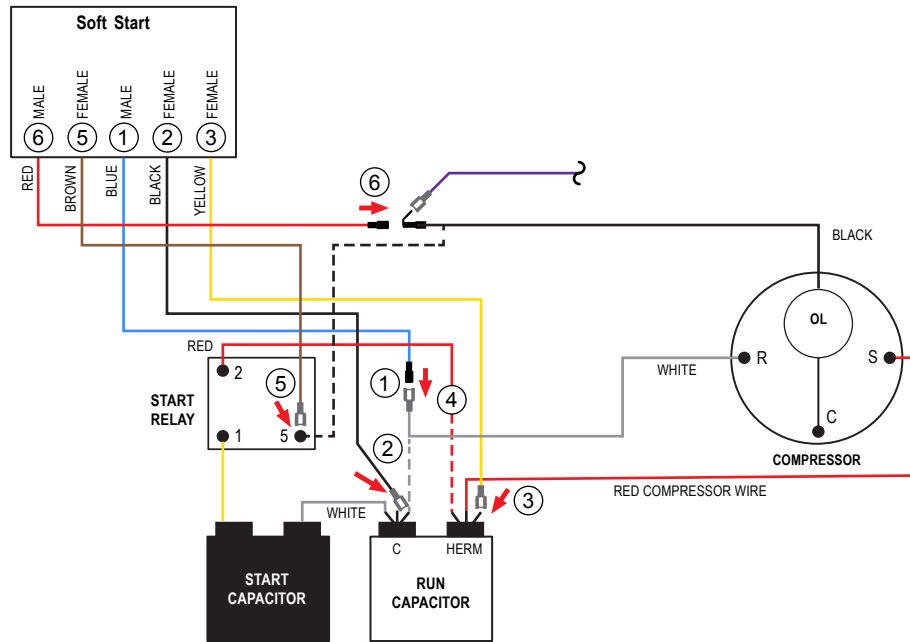


WIRE CONNECTOR GUIDE



TURN ALL POWER OFF BEFORE STARTING INSTALLATION.

Route Blue, Black and Yellow SoftStart wires into the electrical box. Then crimp Connectors onto all SoftStart wires as indicated in drawing.

- Step ① Follow White Compressor Wire from Compressor to Run Capacitor "C" terminal. Disconnect from "C" terminal and connect it to Blue SoftStart wire.
 - Step ② Connect Black SoftStart wire to the terminal that the White Compressor Wire was on.
 - Step ③ Connect Yellow SoftStart wire on terminal next to Red Compressor Wire on "Herm" Side of Run Capacitor.
 - Step ④ **IF you see a second Red wire** next to the Red Compressor Wire, disconnect it and seal end with electrical tape.
 - Step ⑤ Follow Black Compressor wire to the Start Relay. Disconnect both Black and Purple wires, and connect them to Brown SoftStart wire. Seal connection with electrical tape.
 - Step ⑥ Connect Red SoftStart wire onto the terminal that the Black Compressor Wire was on.
- Secure all wires. Tape connections with electrical tape.

Turn Power and A/C Breaker on. Turn A/C to Auto Cool setting and set the thermostat to 55°F.

Look at SoftStart LED lights. Green light should be "on". Green light means the Compressor is running (there may be a full 3-minute delay before Green light comes on). **IF there is no Green light after 4 minutes**, call SoftStart Tech Support for assistance.

After establishing Green light operation, re-install all A/C covers.

Turn A/C on, set near to outdoor temperature and run for 30 minutes. After 30 minutes, operate A/C normally.

Coleman Mach 1976B031 (9-85) Relay