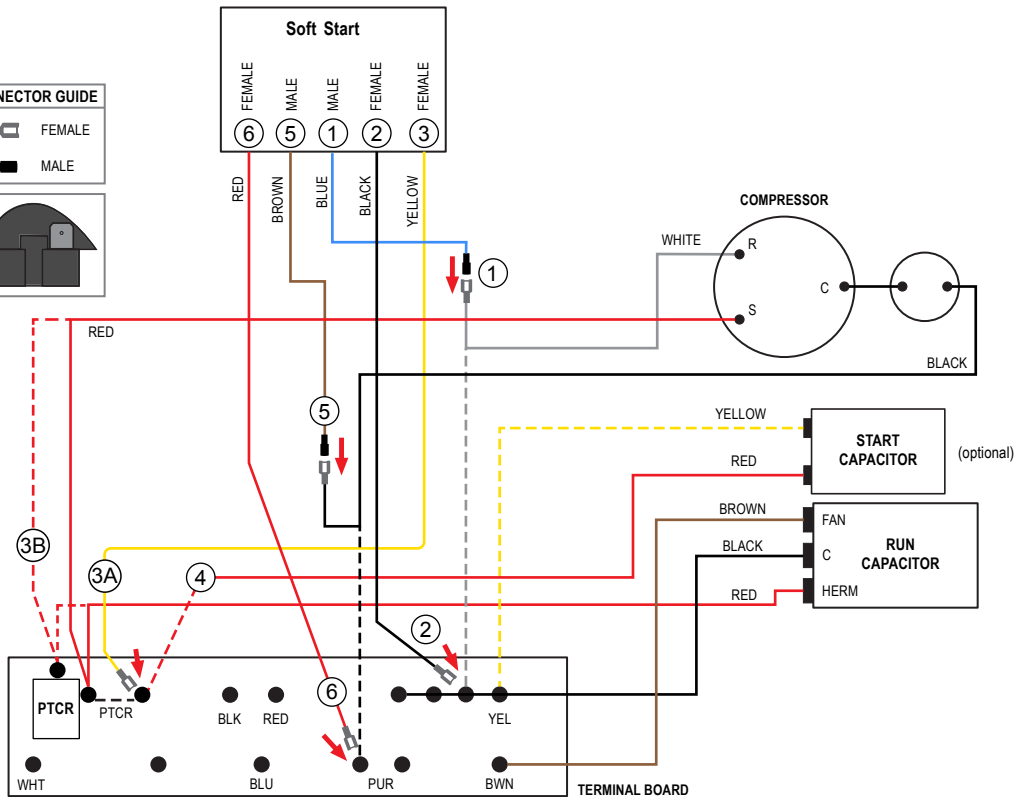


**WIRE CONNECTOR GUIDE****TURN ALL POWER OFF BEFORE STARTING INSTALLATION.**

**NOTE:** There are two options for Step 3, depending on your existing connections. Read both options carefully before proceeding.

**Route ALL SoftStart wires into the electrical box. Then crimp Connectors onto all SoftStart wires as indicated in drawing.**

Step ① Follow White Compressor wire to Terminal Board. Disconnect from Terminal Board and connect to Blue SoftStart wire.

Step ② Connect Black SoftStart wire to the terminal on the Terminal Board that the White Compressor Wire was on.

Step ③A Connect Yellow SoftStart wire on terminal next to double Red wires (where PTCR is stamped on Terminal Board).

If there is not a black PTCR (looks like a black snail - see illustration above), skip Step 4 completely.

Step ③B If there is a black PTCR, disconnect the double Red wires and connect them to PTCR terminal (stamped on Terminal Board).

Step ④ If there is a black PTCR, disconnect the single Red wire on terminal next to PTCR and seal end with tape. Connect Yellow SoftStart wire that the single Red wire was on.

Step ⑤ Disconnect Black Compressor Wire from Terminal Board. Connect Black Compressor Wire to Brown SoftStart wire and tape connection with electrical tape.

Step ⑥ Connect Red SoftStart wire to the terminal that the Black Compressor Wire was on.

Secure all wires. Tape connections with electrical tape.

Turn Power and A/C Breaker on. Turn A/C to Auto Cool setting and set the thermostat to 55°F.

Look at SoftStart LED lights. Green light should be "on". Green light means the Compressor is running (there may be a full 3-minute delay before Green light comes on). **IF there is no Green light after 4 minutes**, call SoftStart Tech Support for assistance.

After establishing Green light operation, re-install all A/C covers.

Turn A/C on, set near to outdoor temperature and run for 30 minutes. After 30 minutes, operate A/C normally.

Wiring Diagram for Coleman Mach 1976-762 (03-20) TB