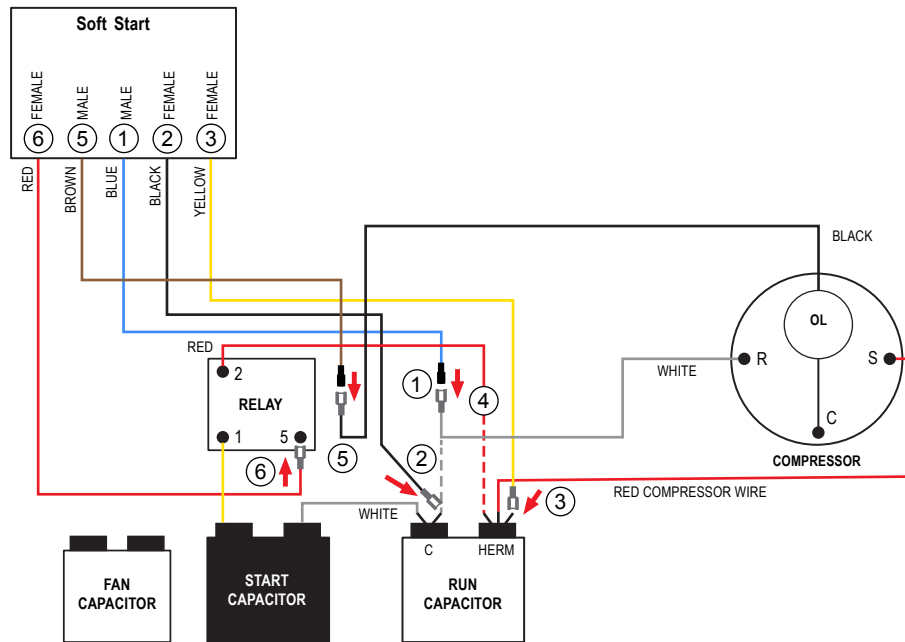


WIRE CONNECTOR GUIDE



TURN ALL POWER OFF BEFORE STARTING INSTALLATION.

Route all SoftStart wires into the electrical box. Then crimp Connectors onto all SoftStart wires as indicated in drawing.

- Step ① Follow White Compressor Wire from Compressor to Run Capacitor "C" terminal. Disconnect from "C" terminal and connect it to Blue SoftStart wire. Tape connection with electrical tape.
 - Step ② Connect Black SoftStart wire to the terminal that the White Compressor Wire was on.
 - Step ③ Connect Yellow SoftStart wire on terminal next to Red Compressor Wire on "Herm" Side of Run Capacitor.
 - Step ④ **IF you have three Capacitors or see a second Red wire** next to the Red Compressor Wire, disconnect it and seal end with electrical tape.
 - Step ⑤ Follow Black Compressor Wire to Relay. Disconnect Black wire and connect to Brown SoftStart wire. Tape connection.
 - Step ⑥ Connect Red SoftStart wire onto the terminal that the Black Compressor Wire was on.
- Secure all wires. Tape connections with electrical tape.

Turn Power and A/C Breaker on. Turn A/C to Auto Cool setting and set the thermostat to 55°F.

Look at SoftStart LED lights. Green light should be "on". Green light means the Compressor is running (there may be a full 3-minute delay before Green light comes on). **IF there is no Green light after 4 minutes**, call SoftStart Tech Support for assistance.

After establishing Green light operation, re-install all A/C covers.

Turn A/C on, set near to outdoor temperature and run for 30 minutes.

After 30 minutes, operate A/C normally.

Wiring Diagram for Coleman Mach 1971-984 (10-81)