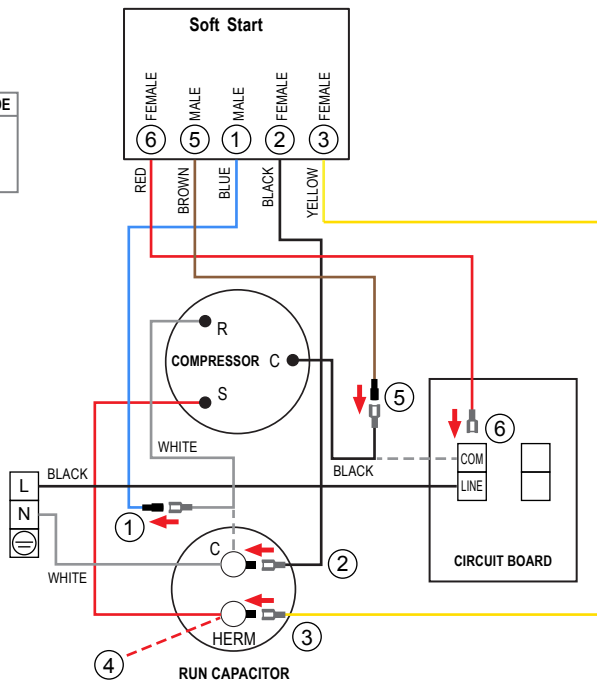


WIRE CONNECTOR GUIDE**TURN ALL POWER OFF BEFORE STARTING INSTALLATION.**

Route ALL SoftStart wires into the electrical box. Then crimp Connectors onto all SoftStart wires as indicated in drawing.

Step ① Follow White Compressor wire to Run Capacitor "C" terminal. Disconnect from "C" terminal and connect it to Blue SoftStart wire.

Step ② Connect Black SoftStart wire to the terminal that the White Compressor Wire was on.

Step ③ Connect Yellow SoftStart wire on terminal next to Red Compressor Wire on "Herm" Side of Run Capacitor.

Step ④ **IF you see a second Red wire** next to the Red Compressor Wire, disconnect it and seal end with electrical tape.

Step ⑤ Follow Black Compressor wire to Circuit Board COM port terminal. Disconnect wire from COM terminal and connect to Brown SoftStart wire.

Step ⑥ Connect Red SoftStart wire to COM terminal onto the terminal that the Black Compressor Wire was on.

Secure all wires to prevent fan from pulling wires in. Tape connections with electrical tape.

Turn Power and A/C Breaker on. Turn A/C to Auto Cool setting and set the thermostat to 55°F.

Look at SoftStart LED lights. Green light should be "on". Green light means the Compressor is running (there may be a full 3-minute delay before Green light comes on). **IF there is no Green light after 4 minutes**, call SoftStart Tech Support for assistance.

After establishing Green light operation, re-install all A/C covers. Turn A/C on, set near to outdoor temperature and run for 30 minutes. After 30 minutes, operate A/C normally.

Wiring Diagram for Atwood AC w/ CB