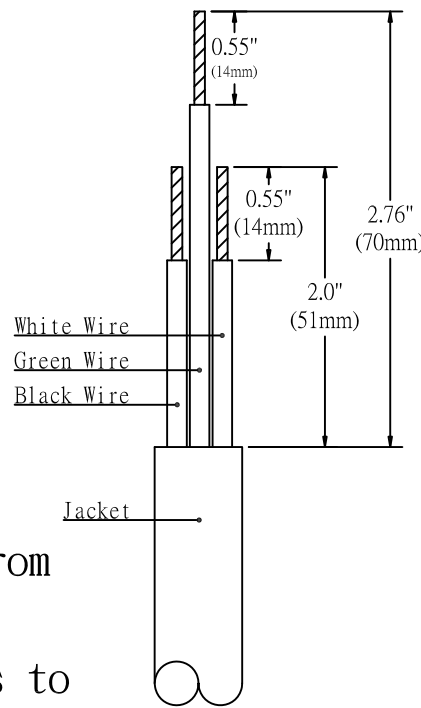




#691609 30A male replacement plug

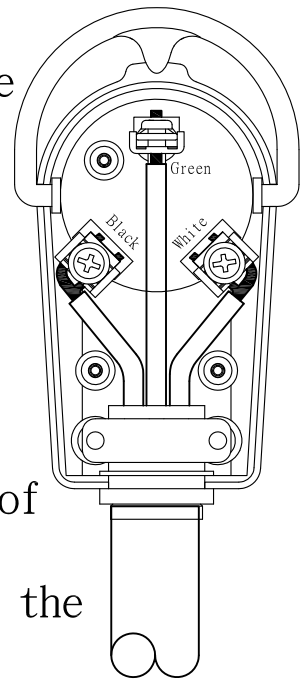
Cord Preparation

1. Make sure the cord to be repaired is disconnected from any power sources.
2. Remove the cord end that is to be replaced.
3. Strip the outer jacket back from the end of the cord, by 2.76" (70mm). Be careful not to cut into the insulation of the inner wires.
4. Cut the black and white wires of the cord, so they are protruding 2.0" (51mm) from the jacket.
5. Strip all wires so that there is 0.55" (14mm) of copper exposed.



Assembly

1. Remove the cover, by loosening the three small screws.
2. Loosen the strain relief screws (two large screws) enough to accept the cord and jacket.
3. Slide the cord into the strain relief until the edge of the cutback portion of the jacket is protruding past the inside edge of the strain relief.
4. Split the exposed copper so that the wire will straddle the screw and connect the three wires to the appropriate posts, matching the color of the wire to the color marked on the plastic housing.
5. Tighten the screws securely.
6. Tighten the strain relief, replace the handle, making sure it is on the back side of the tang and replace the cover.



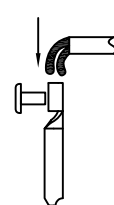
Right



Wrong



E



N/L

