

BEFORE YOU BEGIN YOUR INSTALLATION:

1



Turn off the main water supply before installing.

2



Observe all the local plumbing and building codes.

3



Check out the drain pipe if it's broken before installing. Maintain the drain pipe if necessary.

4



This product is only used for water supply. Do not supply Petrochemical liquids by this product.

5



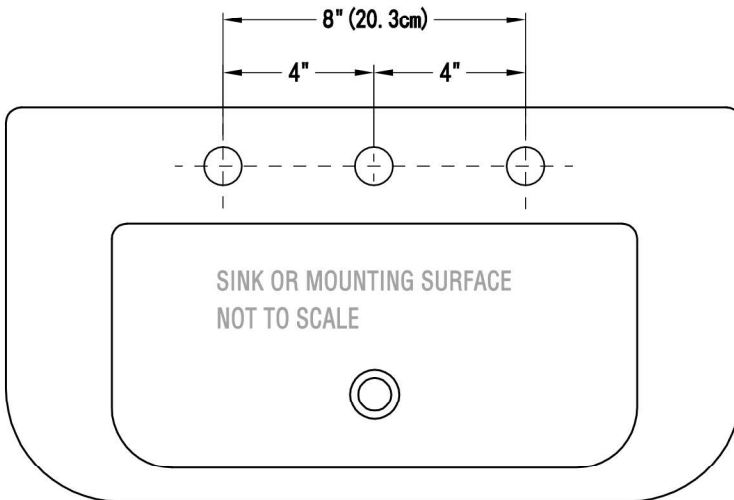
Prepare adjustable wrench, Phillips & flat screwdriver and other assist tools.

Attention:

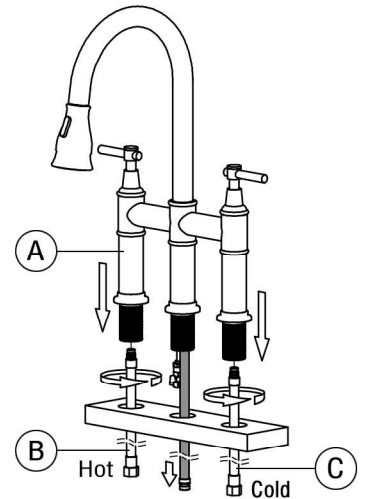
- * Please clean the water supply hoses thoroughly before installation. Protect the valve and bubble from avoiding the impurities came into the supply hoses. This product installation guide is written according to the latest product information.
- * Our company reserves the right to change the product characteristics, packaging or available accessories without notice.

FAUCET HOLE PLACEMENT

Recommended deck hole 1-3/8" .Drill holes for bridge faucet in mounting surface 8" on center.

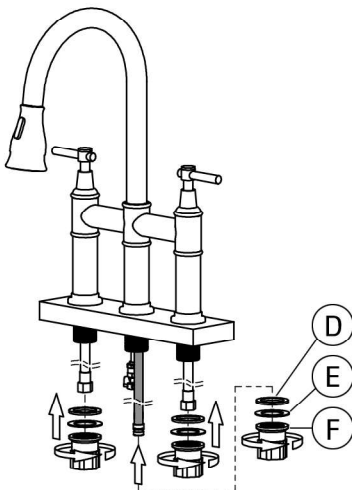


1.



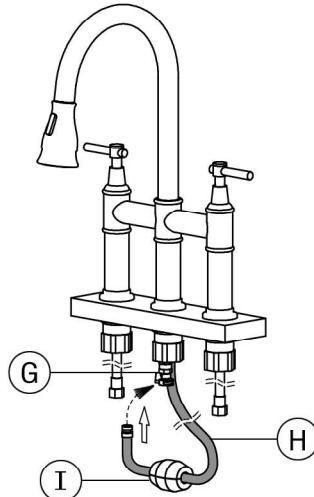
Connect the hot and cold Supply Hoses (B&C) to the main Body(A), then put the fauce into the mounting hole.

2.



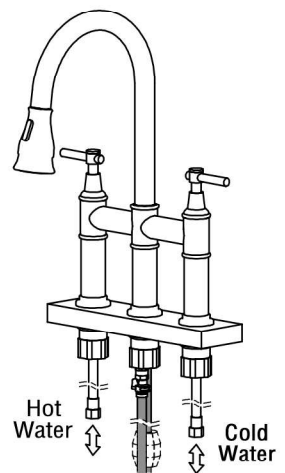
Use Nuts(F) to fix the faucet. Rubber Washer (D) and Metal Washer (E) are required between the Nuts and the fixing plate.

3.



Conect the Spray Hose(H) to fast-inserting Joint (G). Then install the Weight (I) to the proper place on the Spray Hose.

4.



Last but not least, connect the Supply Hoses(B&C) to the water supply valve. Faucet installation completed.