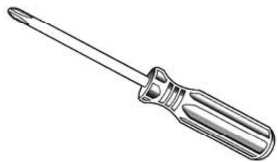
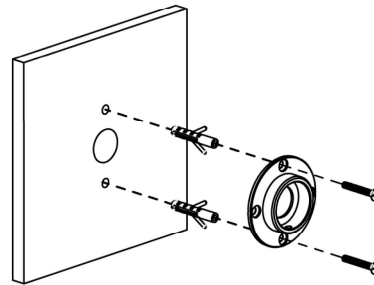


No.	Part Name	PCS
1	Plastic wall plug	2
2	Hex socket screw	1
3	Hex key	1
4	Self-tapping screw	2
5	Decorative cover	1
6	Tap body	1
7	Fixed Base	1

**Tools :**

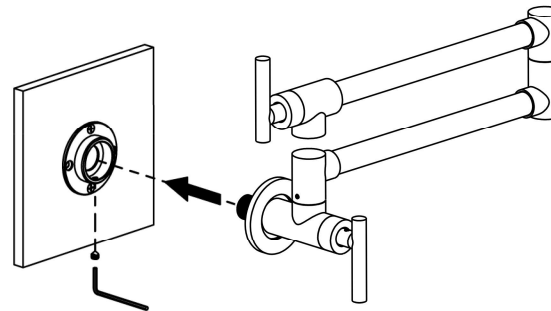


**Step 1**



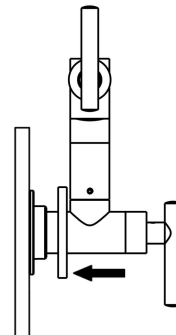
Choose the appropriate drilling location to fix the Base on the wall with a drill and a screwdriver. Be careful do not to destroy the pipe in the wall when drilling.

**Step 2**



Wrap the PTFE tape onto the adapter, screw the Tap body to the proper position, then lock the hex socket screws with a Hex key.

**Step 3**



Open the Tap for water flow and check if any leakage. Finally, press the decorative cover tightly to the wall.